

K-1500[™]

Single-Serve
Commercial Brewer

Designed for your
small business



96 OZ.
extra large reservoir



4 CUP SIZES
6, 8, 10, and 12 oz.



<1 MINUTE BREW TIME
for fresh brewed coffee,
tea & cocoa



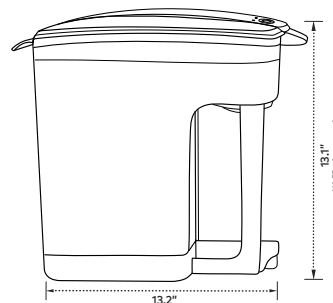
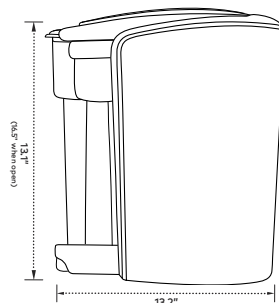
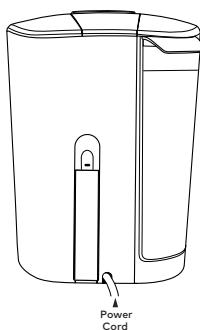
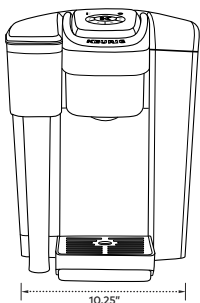
STRONG BREW
brew a stronger,
more intense cup

Features

Brew Sizes	6 oz., 8 oz., 10 oz., 12 oz.
Water Source	Pour-over Water Reservoir
Cold Water Tank	96 oz.
Strong Brew	Yes
Interface	Button Control
- Language	English
- Programmable Auto Off	Yes
- Customizable Brew Temperature	No
- Customizable Brew Size Options	Yes
Drainable Internal Water Tank	Yes - Manual

Specifications

Brewer Weight (Empty)	10.2 lbs.
UL Listed	cULus Commercial/Household
Electrical	120 VAC, 60 Hz
Power	1450W
Plug Type	2-Wire Plus Ground
Order ID/GTIN	10611247377946
UPC Number	611247377949
Case Weight	13.8 lbs.
Case Dimensions	16" H x 16.5" W x 13.25" L



K-1500[™]

Single-Serve
Commercial Brewer

Designed for your
small business

- 1 Lift**
handle and insert
K-Cup[®] pod.
- 2 Place**
mug and close the handle.
- 3 Select**
one of FOUR brew sizes
(6 oz., 8 oz., 10 oz., or 12 oz.).
For bolder coffee, press the
STRONG button first.

