

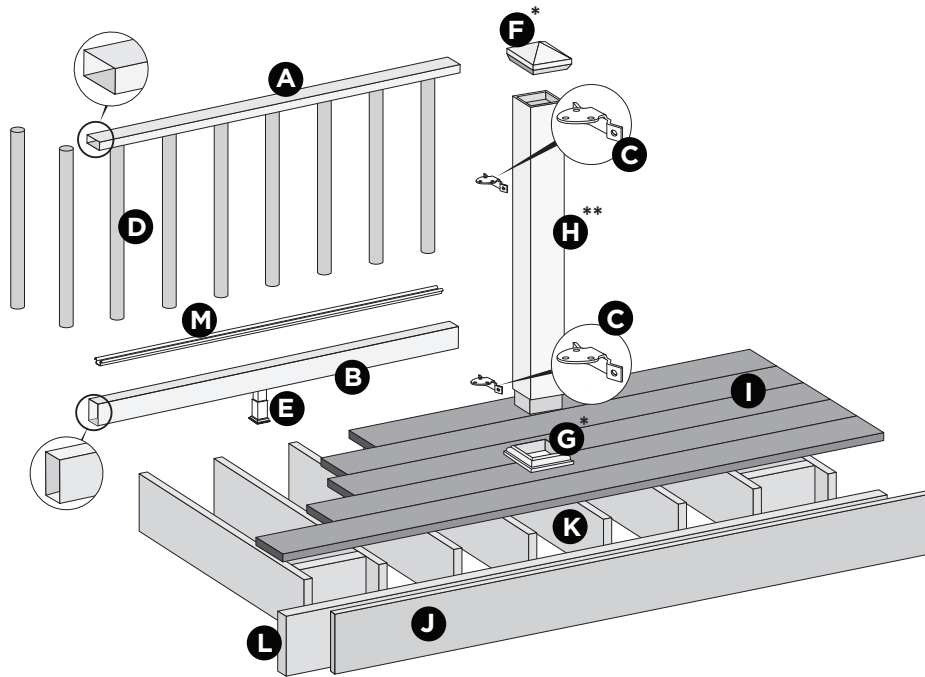
TREX ENHANCE™ RAILING

Installation Instructions



NOTE: All Enhance Railing lengths are manufactured at CLEAR SPAN dimensions (spanning between space of posts): 72" for 6' clear span. Note that railings are designed to be slightly longer that required to allow for very slight play in post placement – trimming may be required. IT IS VERY IMPORTANT TO MEASURE FIRST.

PARTS



- A. Top Rail
- B. Bottom Rail
- C. Brackets
- D. Aluminum Round Balusters
- E. Adjustable Foot Block
- F. Post sleeve cap*
- G. Post sleeve skirt*
- H. Post sleeve**
 - 4" x 4" x 48"
- I. Trex decking
- J. Trex fascia
- K. Code-approved wood joist***
 - 2" x 8"
- L. Code-approved wood rim joist***
 - 2" x 8" or larger
- M. Aluminum Baluster adapter strip

* Item not included in the railing kits.

** 4" x 4" post sleeve is designed to fit over 4" x 4" pressure-treated post. Actual size 4.45" x 4.45" x 48"

*** Actual size 1-1/2" x 7-1/4"

DETERMINING BALUSTERS NEEDED

Baluster Type	Per 6' Section
Horizontal Application	15
Stair Application	13

TREX ENHANCE™ RAILING

Installation Instructions

HOW TO INSTALL TREX HORIZONTAL RAILING

TREX ENHANCE™

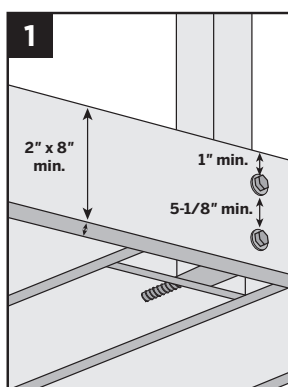
Read all instructions BEFORE installation.

NOTE: Always consult local building codes for approved post installation.

Important: When using 48" post sleeves, measure carefully to allow for clearance of both rail attachment as well as clearance for post cap attachment, and trim these before installing over pressure treated posts. For 36" railing height, post sleeve should be cut at minimum of 40".

Installing Pressure-Treated Posts

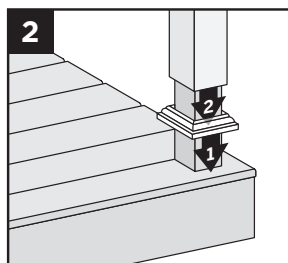
- » Posts are to be installed 6' clear span to accommodate appropriate railing length.
- » Attach posts using 1/2" carriage bolts.
- » Minimum joist size is 2" x 8".
- » Top bolts must be 1" from tops of joists.
- » Bottom bolts must be 5-1/8" from top bolts.



NOTE: Blocking **MUST** be added for extra strength.

Installing Post Sleeve Skirts and Post Sleeves

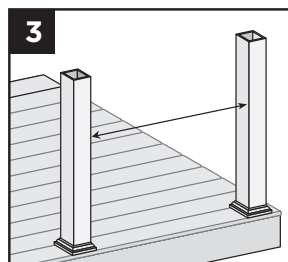
2. Slide post sleeve skirt over post and down to rest on decking surface. Slide post sleeve over post and position inside post sleeve skirt.



NOTE: Shims can be used to plumb post sleeves.

Cutting Railings (if required)

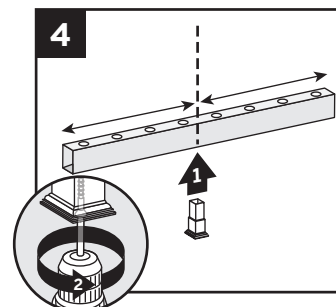
3. Measure between posts and cut rails to same length. **When measuring, cut equal lengths from each side of railing allowing a minimum of 1-3/4" on each end from the last baluster hole to the end of the rail.** This will ensure proper baluster and bracket placement and equal spacing of balusters per each railing section.



Attaching Foot Block to Bottom Railing

NOTE: REFER TO DETAILED INSTRUCTIONS (TREX SELECT® RAIL) INCLUDED WITH FOOT BLOCK PRIOR TO INSTALLATION OF RAILING SECTION AS THESE INCLUDE OTHER REQUIRED STEPS FOR PROPER INSTALLATION.

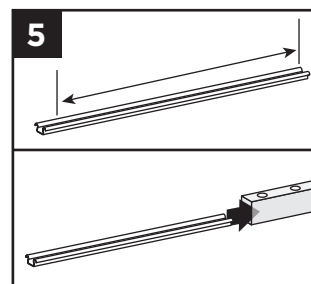
4. Invert the bottom railing. Center foot block on bottom rail and attach. **DO NOT** extend foot block.



Cutting (see note below) and Inserting Aluminum Baluster Adaptor Strip into Bottom Rail

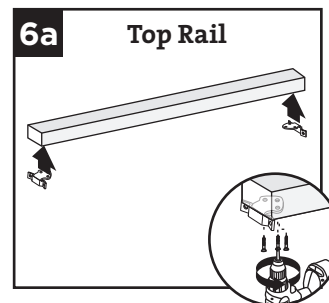
NOTE: IF RAILINGS ARE INSTALLED AT FULL SPAN BALUSTER STRIPS DO NOT NEED TO BE CUT.

5. Trim aluminum baluster adaptor strip 3" overall (1-1/2" clearance is needed on each end after insertion into bottom rail) so it will not interfere with bracket attachment. Insert aluminum baluster adaptor strip into the bottom rail.



Attaching Brackets to Rails

- 6a. Position brackets on each end of TOP RAIL on the same side as baluster holes. Attach brackets using three #10 x 1" self-tapping screws (provided).



2

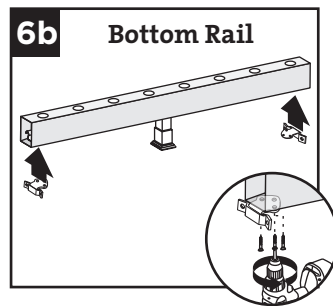
Have Questions?
1-800-BUY-TREX

NOTE: Construction methods are always improving. Please ensure you have the most up-to-date installation instructions by visiting: trex.com

TER-0315

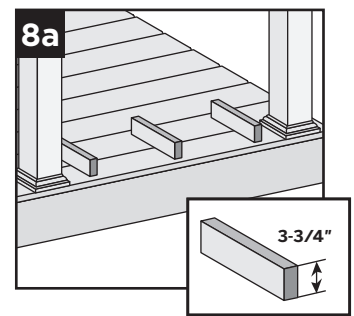
HOW TO INSTALL TREX HORIZONTAL RAILING/CONTINUED TREX ENHANCE™

6b. Position brackets on each end of BOTTOM RAIL on the **OPPOSITE SIDE** of the baluster holes. Attach brackets using three #10 x 1" self-tapping screws (*provided*). **DO NOT** allow bracket screws to interfere with adaptor strip.

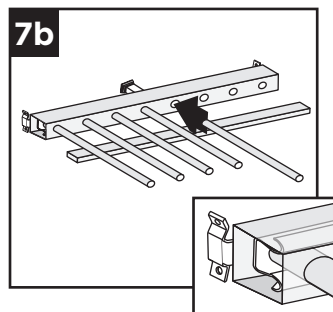
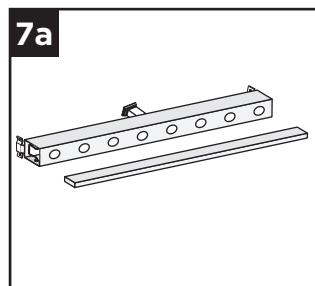


Installing Railing Section to Posts

8a. Using scrap material (i.e. 2 x 4s, decking boards, etc.) cut at least three support blocks at 3-3/4" in height. Place one each on decking surface beside each post and one near center of span.

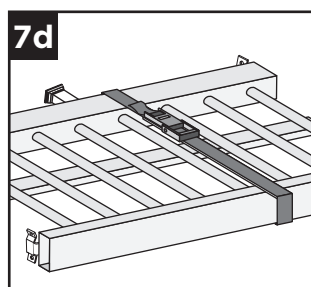
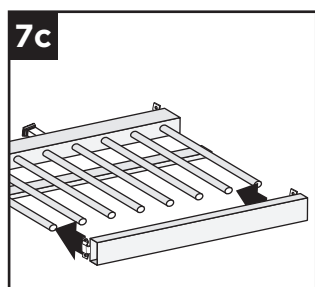


Assembling Railing Section



7a. On a clean flat surface lay bottom railing on its side. Make sure to allow enough room for installation of balusters and top rail. Place a scrap piece of 1" decking board running parallel to bottom rail for support when installing balusters.

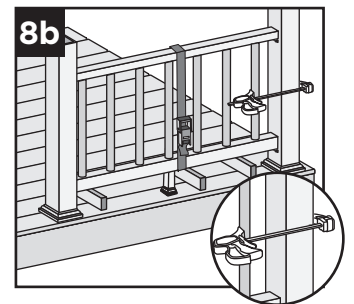
7b. Insert balusters into bottom rail slots and press into the aluminum baluster adaptor strip until balusters are fully seated.



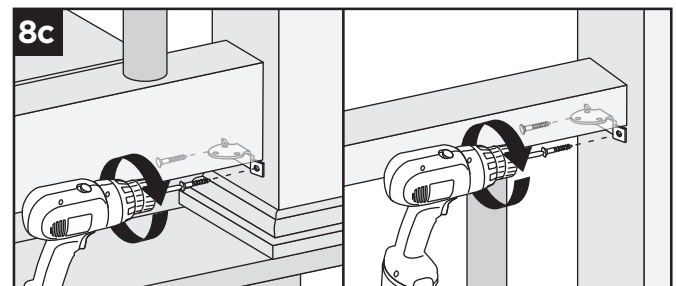
7c. Attach top rail to balusters, feeding each baluster into required slots. Start on one end and work towards the other.

7d. To help temporarily secure the railing section together, place a ratchet strap around the top and bottom rail and tighten until snug. **DO NOT OVERTIGHTEN AS YOU CAN BEND THE RAILING.**

8b. Lift secured railing section up, and **CENTER** this section in between the spanned posts on pre-positioned support blocks.



NOTE: To help stabilize railing section use a quick-grip clamp (or other type of clamp) and clamp the first baluster to post sleeve. (**DO NOT OVERTIGHTEN CLAMP.**)

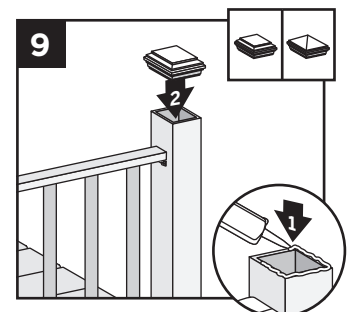


8c. Install both bottom and top brackets on each side to post using two #8 x 2" screws (*provided*). For best results, set drill to low speed when installing these screws.

Attaching Post Caps

9. Secure post caps with silicone or PVC adhesive.

NOTE: Clean up any excess adhesive before drying.



TREX ENHANCE™ RAILING

Installation Instructions

HOW TO INSTALL TREX STAIR RAILING

TREX ENHANCE™

Read all instructions BEFORE installation.

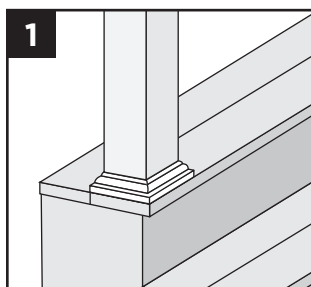
IMPORTANT NOTE: POST TO POST SPAN WILL BE LESS THAN 6'. PRIOR TO INSTALLING POSTS CALCULATE POST TO POST SPAN USING A MAXIMUM RAIL LENGTH OF 6' AND THE ANGLE (32°-37°) AT WHICH THE RAILS WILL BE INSTALLED. DO NOT INSTALL STAIR POSTS AT 6' SPAN, AS STAIR RAILINGS WILL THEN BE TOO SHORT.

NOTES:

- » Requires use of Trex Enhance Stair Rail Kit.
- » All Enhance Stair Railings work **ONLY WITH STAIR SLOPES OF 32°-37°.**

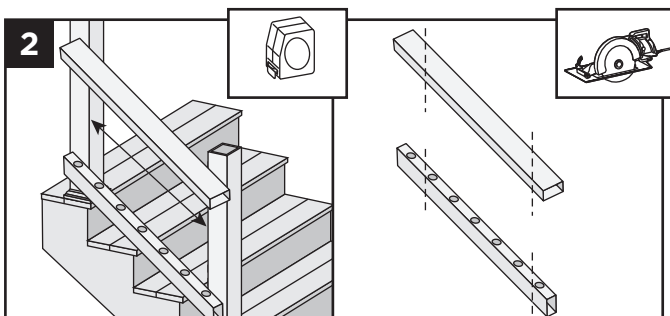
Installing Posts, Post Sleeve Skirts, and Post Sleeves for Stair Rails

1. Install posts, post sleeve skirts, and post sleeves according to standard railing instructions.



- » In most cases, a longer post and post sleeve will be needed on the lower section of stair rail to accommodate stair angle. **DO NOT** cut this post/post sleeve until desired height is determined.
- » Make sure top and bottom posts for stairs are installed at nose of each tread.

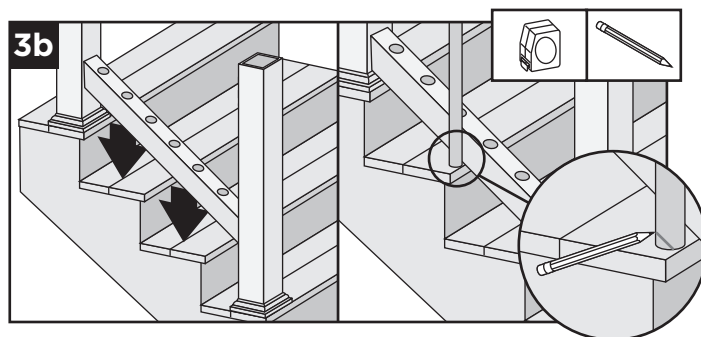
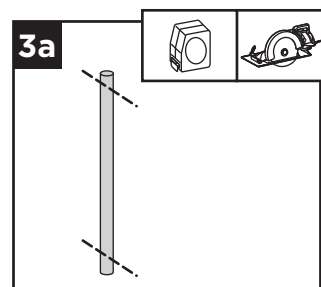
Measuring and Cutting Railings



2. Set railing along the nose of the stair treads, making sure baluster holes are vertically aligned and mark line at each intersection. **When measuring, cut equal lengths from each side of railing allowing a minimum of 2" on each end from the last baluster hole to the end of the rail.** This will ensure proper baluster and bracket placement and equal spacing of balusters per each railing section.

Cutting Balusters on Angle (OPTIONAL)

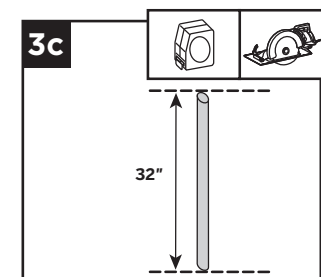
- 3a. In order for balusters to seat properly (depending on the angle of the stair railing), the balusters may need to be trimmed to match the angle of the bottom and top railing.



- 3b. Set bottom railing on nose of stair treads and set baluster at 90° on the outside of the railing, mark and measure the angle.

NOTE: Measure, mark and cut a scrap board to ensure you have proper angle **BEFORE** cutting balusters on angle.

- 3c. Cut the **VERY END** of baluster, both top and bottom, making sure that point-to-point measurement of the baluster remains at 32".



4

Have Questions?
1-800-BUY-TREX

NOTE: Construction methods are always improving. Please ensure you have the most up-to-date installation instructions by visiting: trex.com

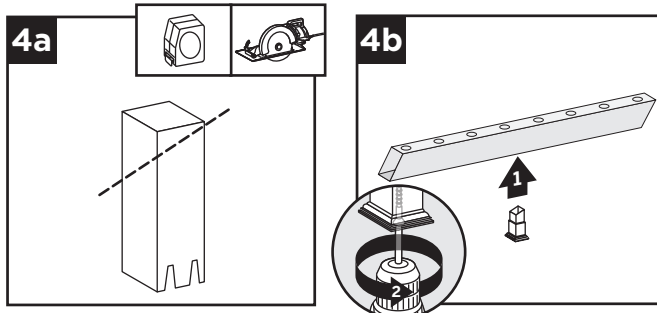
TSR-1012

HOW TO INSTALL TREX STAIR RAILING/CONTINUED

TREX ENHANCE™

Attaching Footblock to Bottom Railing

» REFER TO DETAILED INSTRUCTIONS (TREX SELECT® RAIL) INCLUDED WITH FOOT BLOCKS PRIOR TO INSTALLATION OF STAIR RAILING SECTION AS THESE INCLUDE OTHER REQUIRED STEPS FOR FOOT BLOCK INSTALLATION.

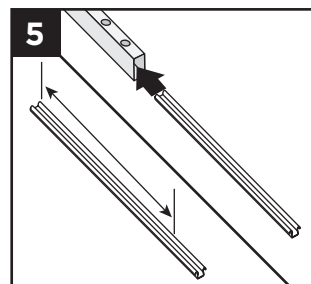


- 4a. For stair applications, cut the section of foot block at an angle to match rail. Refer to foot block instructions for specific information on how to do this.
- 4b. Invert bottom rail. Center foot block on bottom rail and attach. **DO NOT** extend foot block.

Cutting (see note below) and Inserting Aluminum Baluster Adaptor Strip into Bottom Stair Rail

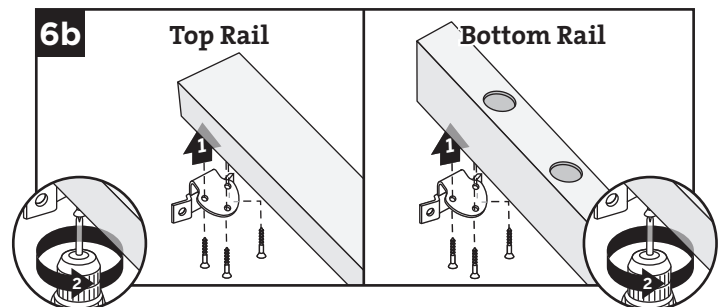
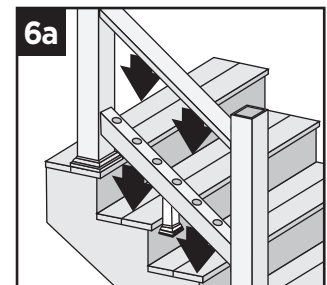
NOTE: IF RAILINGS ARE INSTALLED AT FULL SPAN BALUSTER STRIPS DO NOT NEED TO BE CUT.

5. Trim aluminum baluster adaptor strip 3" overall (1-1/2" clearance is needed on each end after insertion into bottom rail) so it will not interfere with bracket attachment. Insert aluminum baluster adaptor strip into the bottom stair rail.

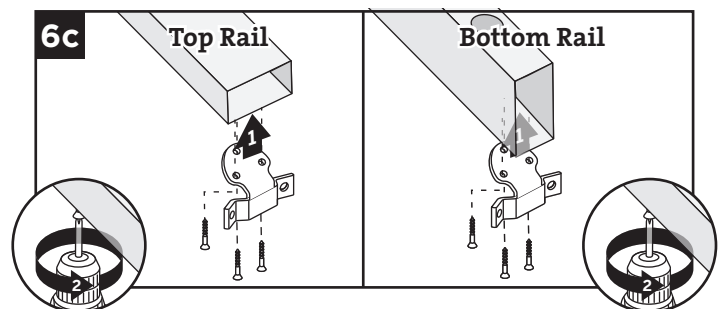


Attachment of Brackets to Railings

6a. Check fit for both top and bottom railings in designated positions for location onto posts. Remove railings.



6b. At the upper post location for both top and bottom railing, attach the correct oriented bracket as shown. On the TOP RAIL, attach the bracket to the side with baluster holes. On the BOTTOM RAIL, attach the bracket to the **OPPOSITE SIDE** of the baluster holes. Attach brackets using three #10 x 1" self-tapping screws (provided).



6c. At the lower post location for both top and bottom railing, attach the correct oriented bracket as shown. For TOP RAIL, the bracket would be attached to the side with baluster holes. For bottom rail, the brackets would be on the **OPPOSITE SIDE** of the baluster holes. Attach brackets using three #10 x 1" self-tapping screws (provided).

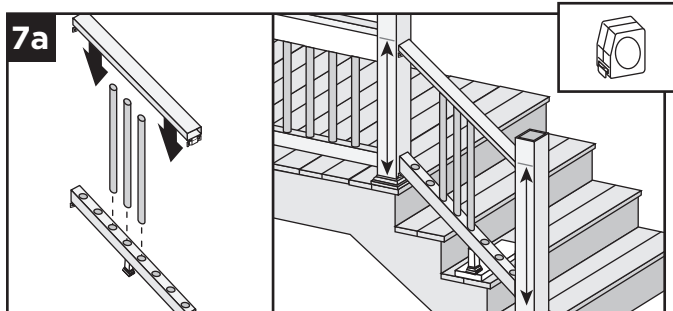
TREX ENHANCE™ RAILING

Installation Instructions

HOW TO INSTALL TREX STAIR RAILING/CONTINUED

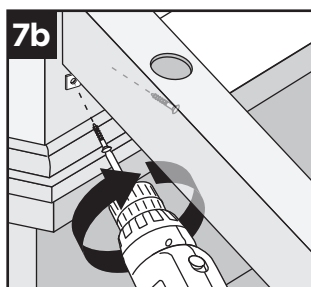
TREX ENHANCE™

Attachment of Bottom Rail to Post

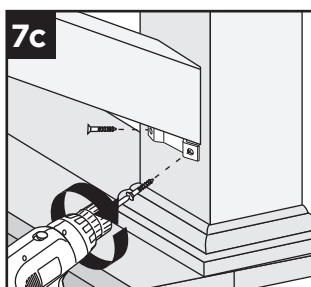


7a. Assemble a few of the balusters into the bottom and top railings (make sure balusters are setting at 90°) and set this on scrap material clearing the stair treads to determine where bracket locations need to be. Measure to make sure that the bottom railing will clear the stair treads and the top railing will be aligned with horizontal railing (remember in most cases, a longer post and post sleeve will be needed on the lower section of stair rail to accommodate stair angle).

7b. After locating appropriate position for bottom rail remove top rail and balusters and attach bottom rail stair bracket to upper post using two #8 x 2" screws (provided).

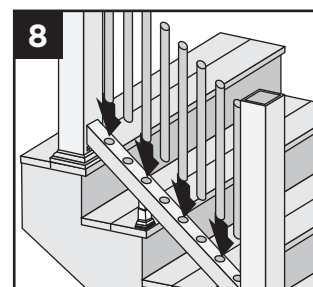


7c. Attach bottom stair rail stair bracket to lower post using two #8 x 2" screws (provided). For best results set drill to low speed when installing these screws. **DO NOT** allow bracket screws to interfere with adaptor strip.



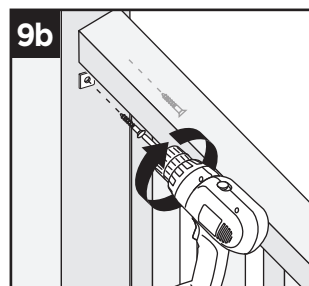
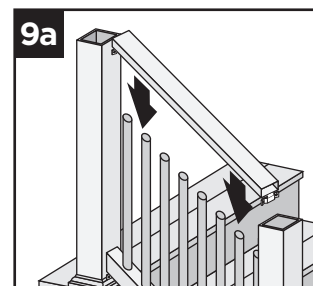
Install Balusters

8. Slide balusters into bottom rail and press into the aluminum baluster adaptor strip until balusters are fully seated.

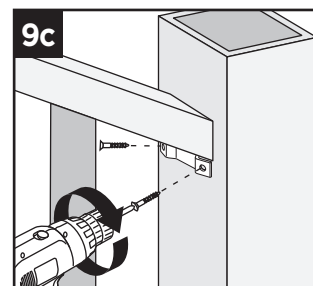


Attachment of Top Rail to Post

9a. Place top rail onto balusters, allowing the top rail to rest on the surface of the balusters.



9b. Attach top stair rail bracket to upper post using two #8 x 2" screws (provided). For best results set drill to low speed when installing these screws.



9c. Attach top stair rail bracket to lower post using two #8 x 2" screws (provided). For best results set drill to low speed when installing these screws.

10. Secure post caps with silicone or PVC adhesive.

NOTE: Clean-up any excess adhesive before drying.

