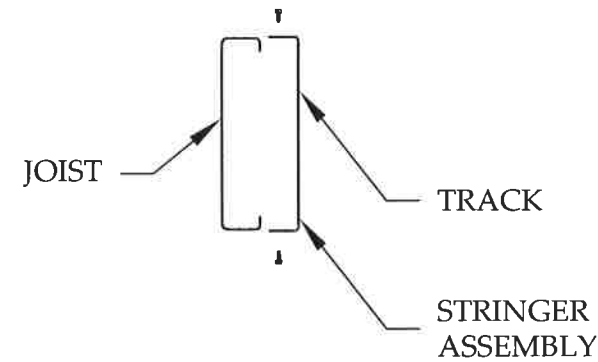


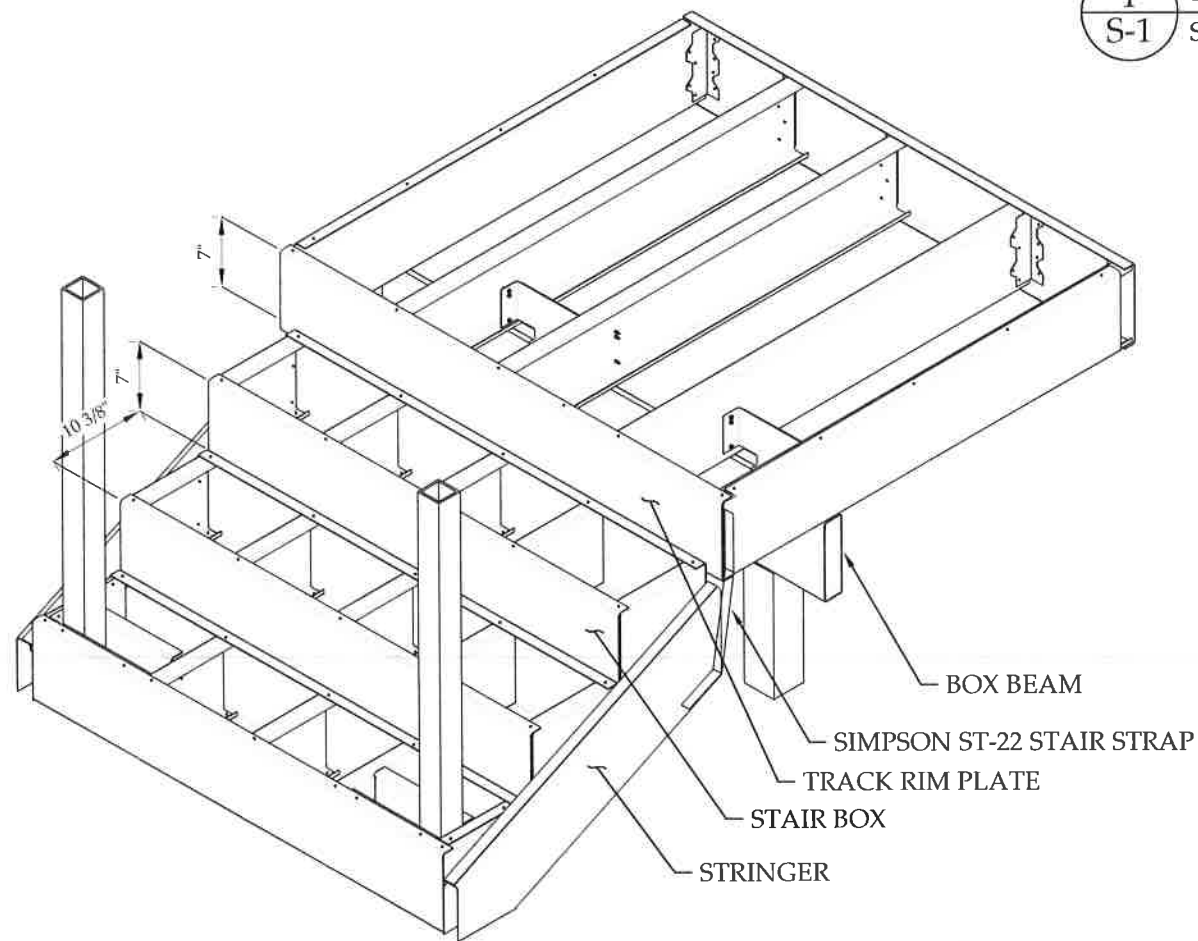


Daniel C. Smith, PE
 Consulting Engineers
 13237 Melvin Arnold Road
 Raleigh, NC 27613
 P: 919.844.6050 ext 1
 F: 877.841.6050
 E: lowes@dansmithpe.com

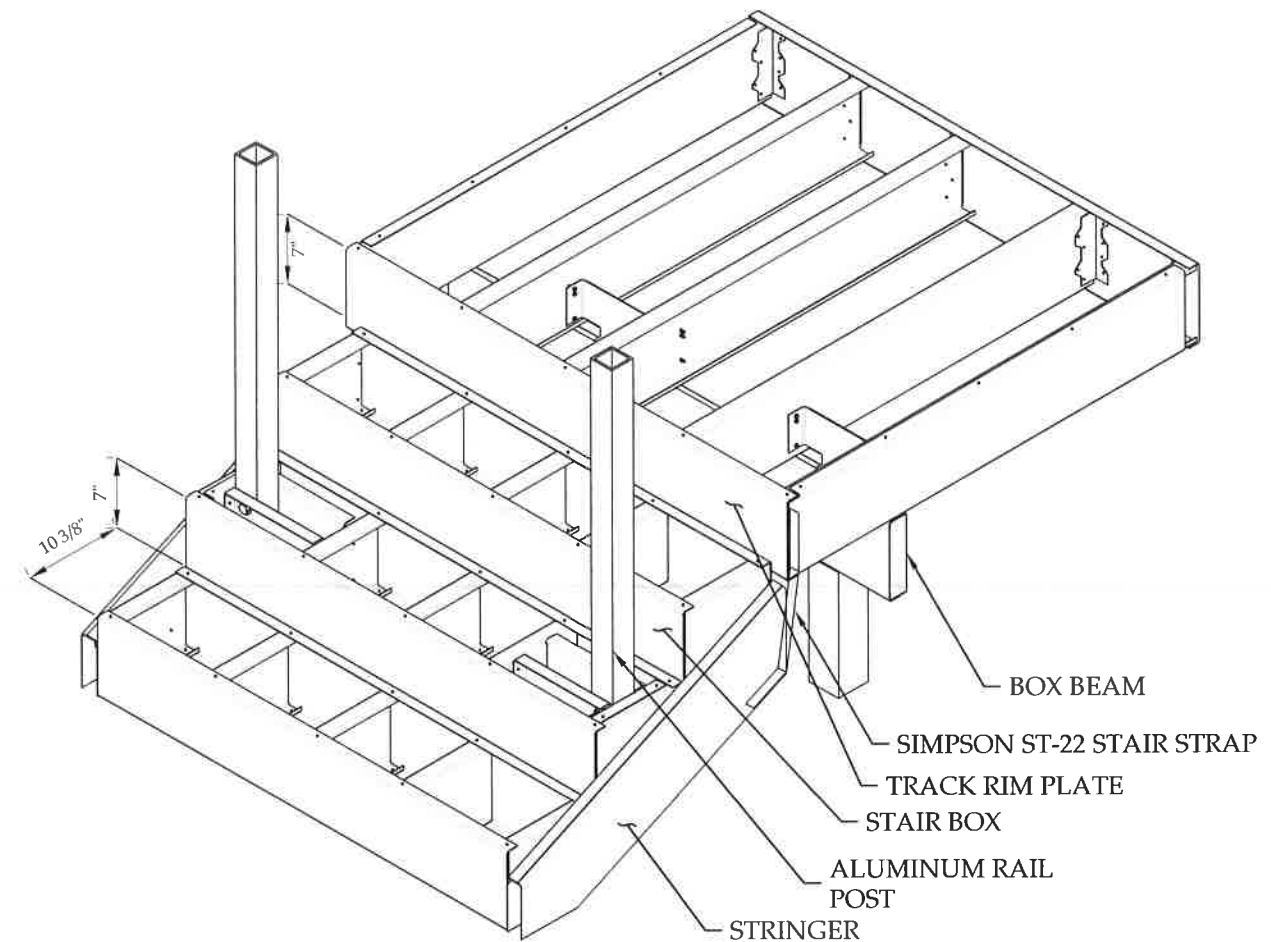
ATTACHED
 DECK



1 STRINGER ASSEMBLY
 S-1 SCALE: 1 1/2" = 1'-0" ELEVATION VIEW



2 STAIR RAIL POSITION 1
 S-1 SCALE: 3/4" = 1'-0" ELEVATION VIEW



3 STAIR RAIL POSITION 2
 S-1 SCALE: 3/4" = 1'-0" ELEVATION VIEW

CUSTOMER NAME
 ADDRESS
 CITY, STATE ZIP

DCSPE #: 1000
 Drawn By: SKW
 For Construction
 Not for Construction

Sheet :
 S-1 of 3

6-8-2017

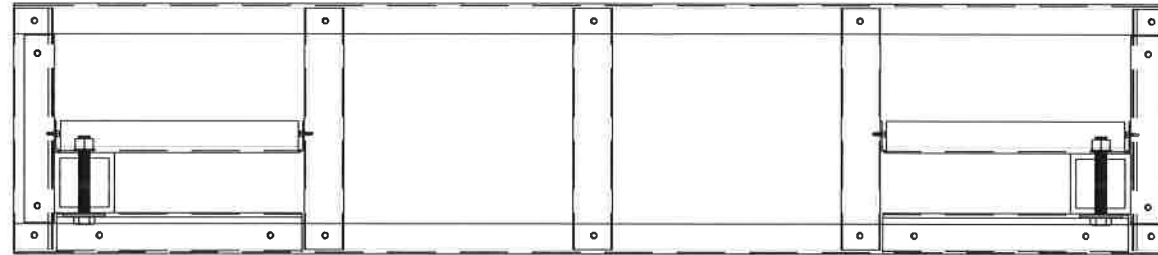


Daniel C. Smith, PE
 Consulting Engineers
 13237 Melvin Arnold Road
 Raleigh, NC 27613
 P: 919.844.6050 ext 1
 F: 877.841.6050
 E: lowes@dansmithpe.com

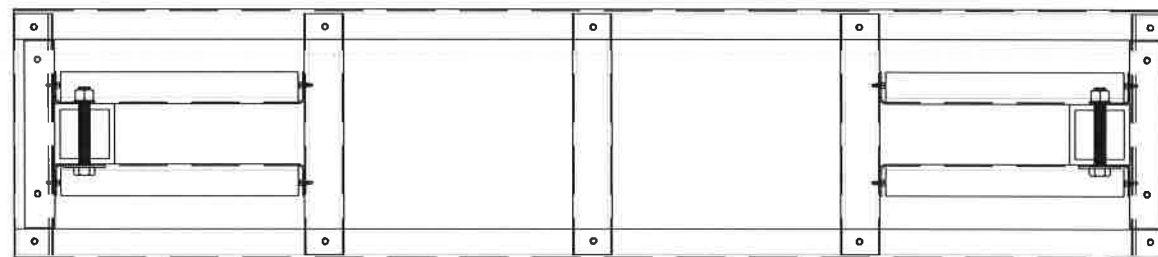


ATTACHED
 DECK

© 2016 DANIEL C. SMITH, PE CONSULTING ENGINEER



1 STAIR BOX RAIL POST CONNECTION - POSITION 1
 S-2 SCALE: 1 1/2" = 1'-0" PLAN VIEW



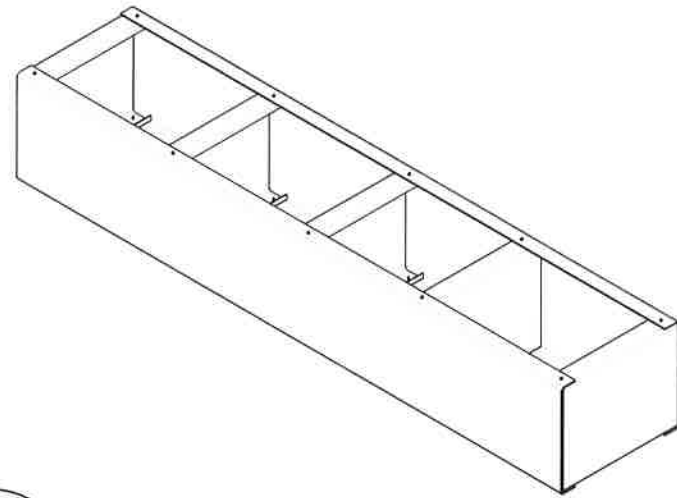
2 STAIR BOX RAIL POST CONNECTION - POSITION 2
 S-2 SCALE: 1 1/2" = 1'-0" PLAN VIEW

CUSTOMER NAME
 ADDRESS
 CITY, STATE ZIP

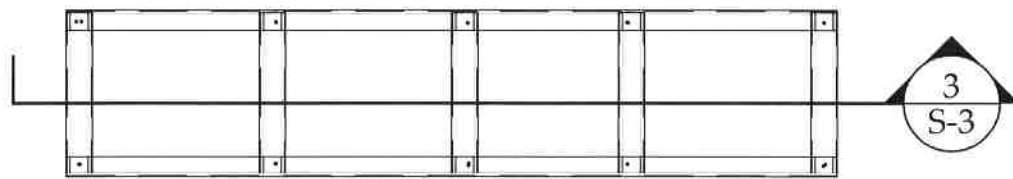
DCSPE #: 1000
 Drawn By: SKW
 For Construction
 Not for Construction

Sheet :
 S-2 of 3

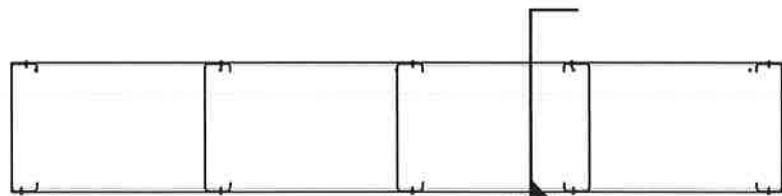
6-8-2017



1 STAIR TREAD
S-3 SCALE: 1" = 1'-0" ELEVATION VIEW



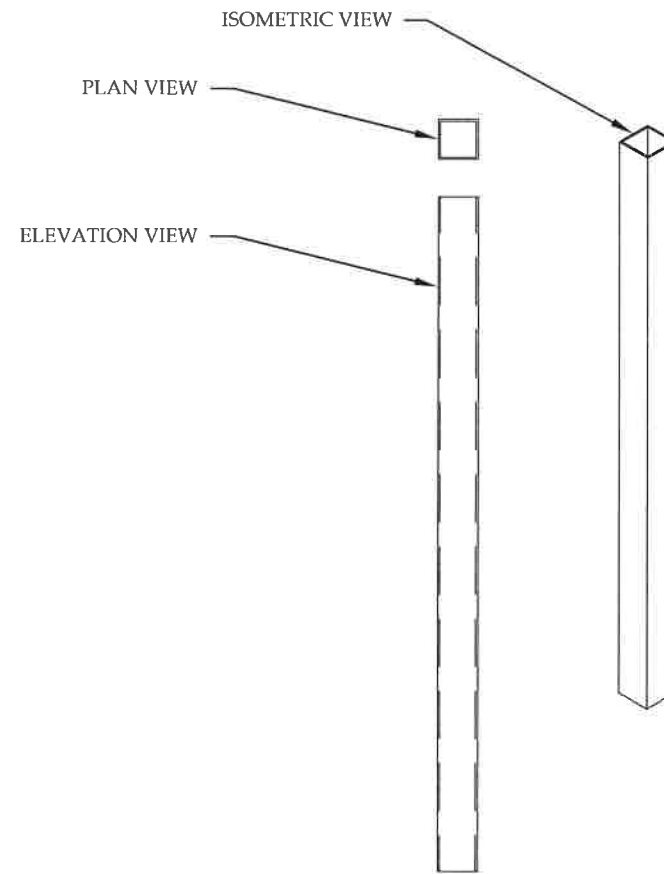
2 STAIR TREAD
S-3 SCALE: 1" = 1'-0" PLAN VIEW



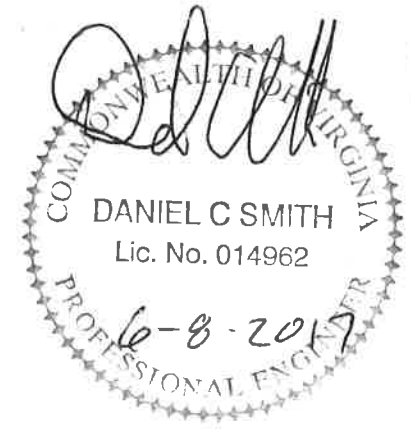
3 STAIR TREAD
S-3 SCALE: 1" = 1'-0" ELEVATION VIEW



4 ELEVATION VIEW
S-3



5 ALUMINUM POST
S-3 SCALE: 1" = 1'-0" PLAN, ELEVATION, ISOMETRIC VIEW




 Daniel C. Smith, PE
 Consulting Engineers
 13237 Melvin Arnold Road
 Raleigh, NC 27613
 P: 919.844.6050 ext 1
 F: 877.841.6050
 E: lowes@dansmithpe.com

ATTACHED
 DECK

CUSTOMER NAME
 ADDRESS
 CITY, STATE ZIP

DCSPE #: 1000
 Drawn By: SKW
 For Construction
 Not for Construction

Sheet :
S-3 of 3

6-8-2017