

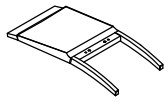
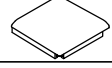

Assembly Instructions

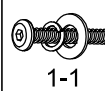
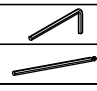
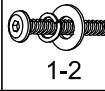
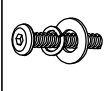
CRBIJDS SIDE CHAIR-GAVIN BROWNSTONE
 CRBIJDSL SIDE CHAIR-GAVIN GRAYSTONE

Thank you for purchasing this quality product. Be sure to check all packing material carefully for small parts, which may have come loose inside the carton during shipment. Identify and count all parts and compare with the **HARDWARE LIST** below.

Caution: Please read instructions thoroughly before unpacking assembly parts.

1. We recommend that you should assemble this product with the assistance of another person; this will make assembly easier, and will help to eliminate damage to the product or injury to persons during assembly.
2. Please do not over tighten screws or bolts until the assembly is completed.
3. Please put all parts on a non - abrasive floor before assembly, and follow the assembly steps to assemble your newly purchased product correctly and efficiently.

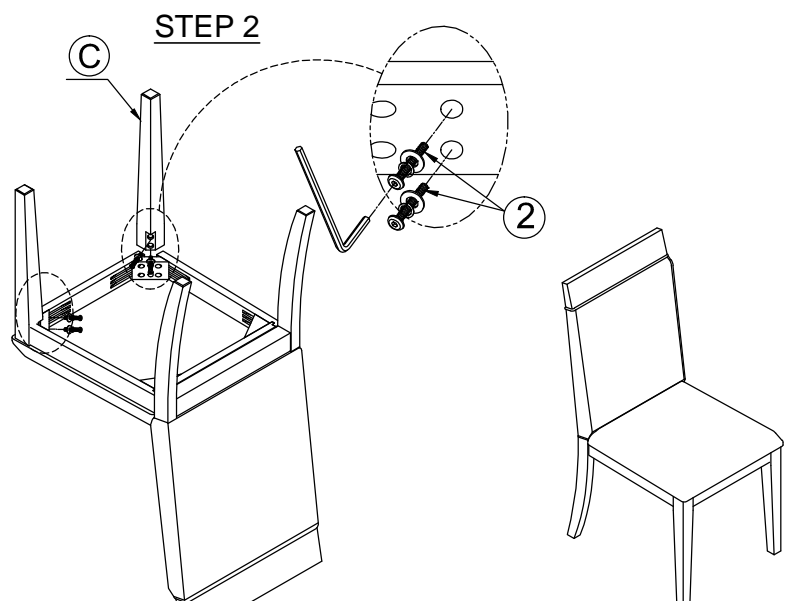
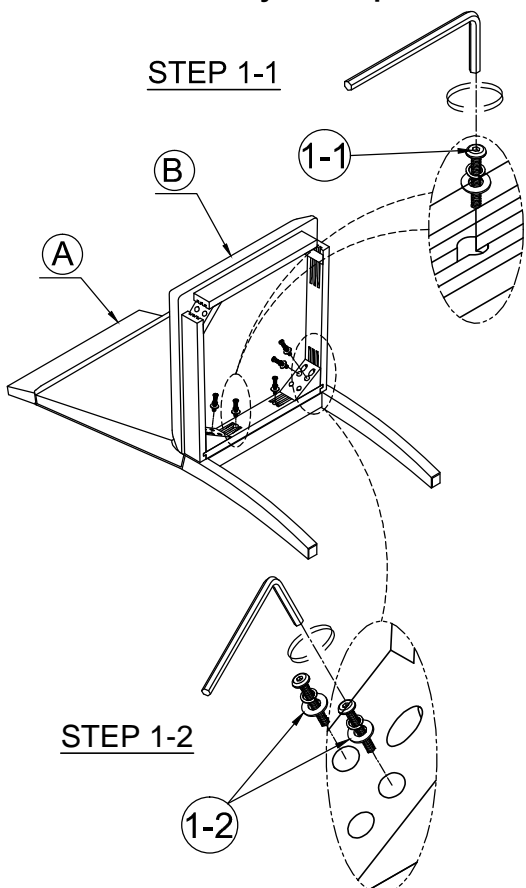
NO.	PARTS LIST		Q'TY
A		Backrest	1
B		Seat Cushion	1
C		Front legs	2

NO.	HARDWARE LIST		Q'TY
1		Ø5/16"x18x1 1/2" Bolt	2
		Ø5/16"xØ13x1mm Spring washer	
		Ø5/16"xØ22x2mm Flat washer	
		(4mm x 57mmL) Allen wrench	1
(4mm x 80mmL) Straight allen key		1	
2		Ø5/16"x18x 3 1/2" Bolt	4
		Ø5/16"xØ13x1mm Spring washer	
		Ø5/16"xØ22x2mm Flat washer	
		Ø5/16"x18 x 2" Bolt	4
Ø5/16"xØ13x1mm Spring washer			
Ø5/16"xØ22x2mm Flat washer			

Please noted:
 Please do not tighten bolts 100% until after assembly is complete.

TOOLS REQUIRED (NOT PROVIDED)

PHILLIPS SCREWDRIVER 



Assembly completed
Made in VietNam