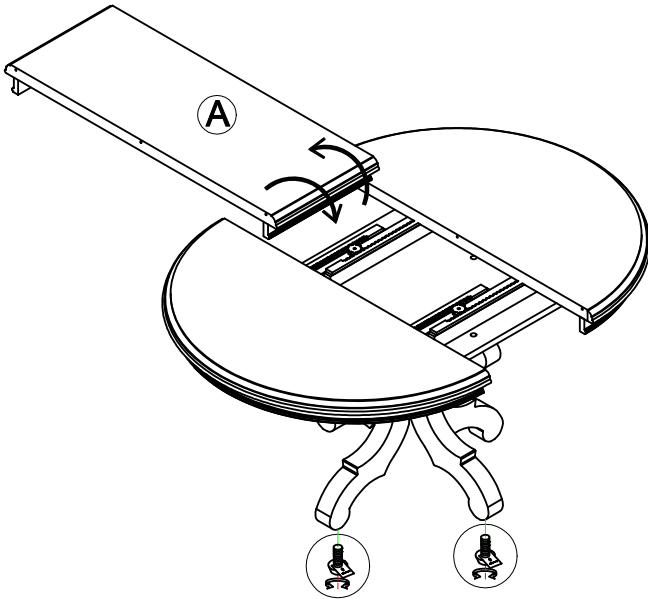


ASSEMBLY INSTRUCTIONS

ITEM NO: DVC100 RPDTB/DVC100 RPDTT CHARLESTON WHITE
 DVC200 RPDTB/DVC200 RPDTT CHARLESTON GRAY
 DVC300 RPDTB/DVC300 RPDTT CHARLESTON TOBCC
 PED TABLE BASE
 ROUND PED TABLE TOP



Thank you for purchasing this quality product. Be sure to check all packing material carefully for small parts that may have come loose inside the carton during shipment.

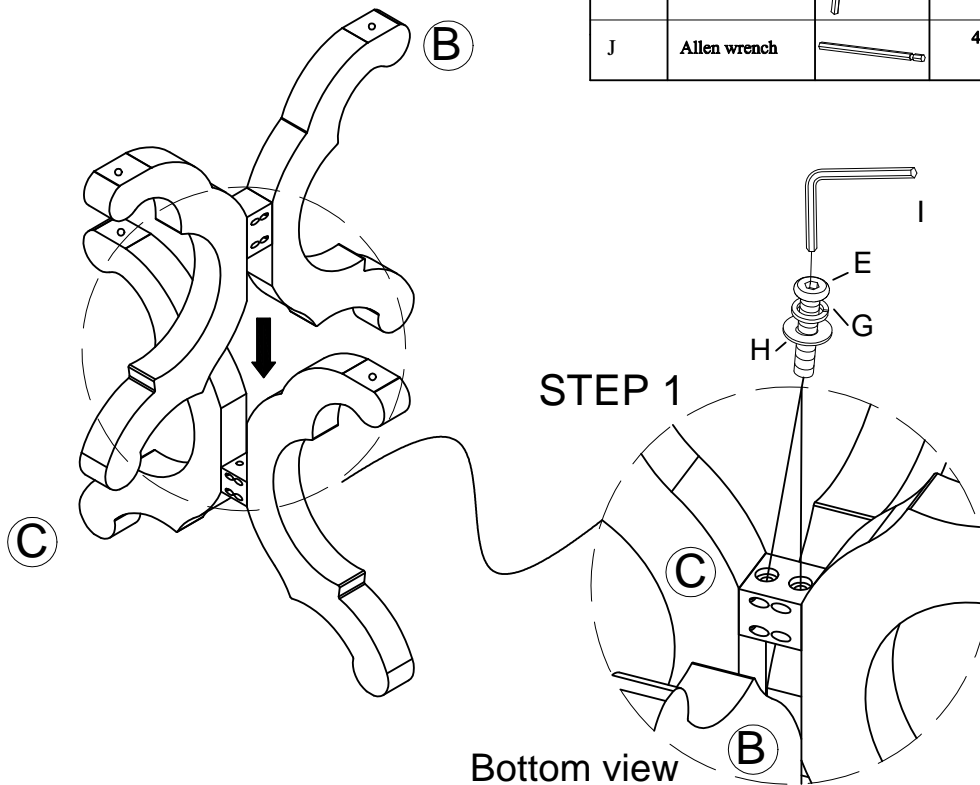


PARTS LIST:

No.	Description	Sketch	Quantity
A	Table Top		1 pc
B	Base Leg		1 pc
C	Base Leg		1 pc
D	Base Top Panel		1 pc

HARDWARE LIST:

No.	Description	Sketch	Size	Quantity
E	Bolt		Ø5/16"76mm	2 pcs
F	Bolt		Ø5/16"44mm	8 pcs
G	Spring washer		Ø5/16"X12mmX2mm	10 pcs
H	Flat washer		Ø5/16"X19mmX2mm	10 pcs
I	Allen wrench		4mm	1 pc
J	Allen wrench		4mm	1 pc



MADE IN VIETNAM

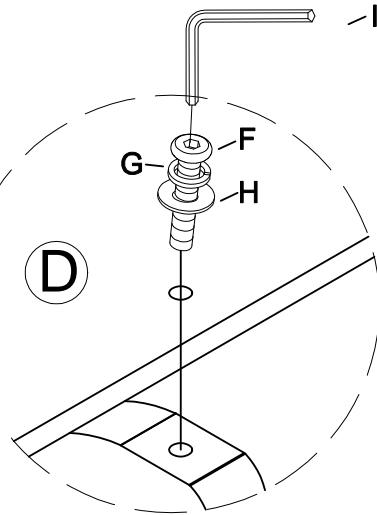
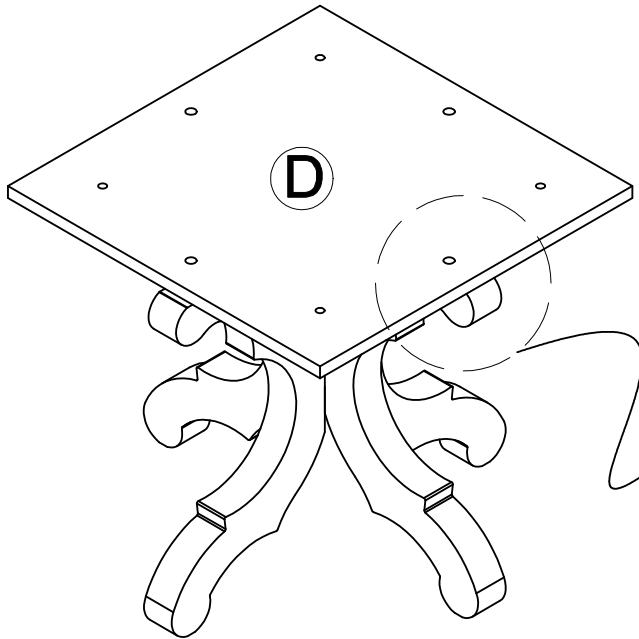


ASSEMBLY INSTRUCTIONS

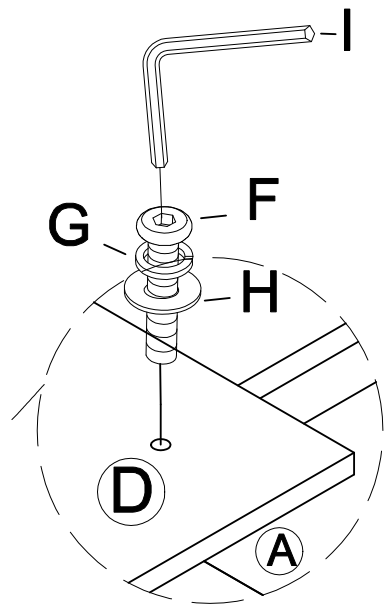
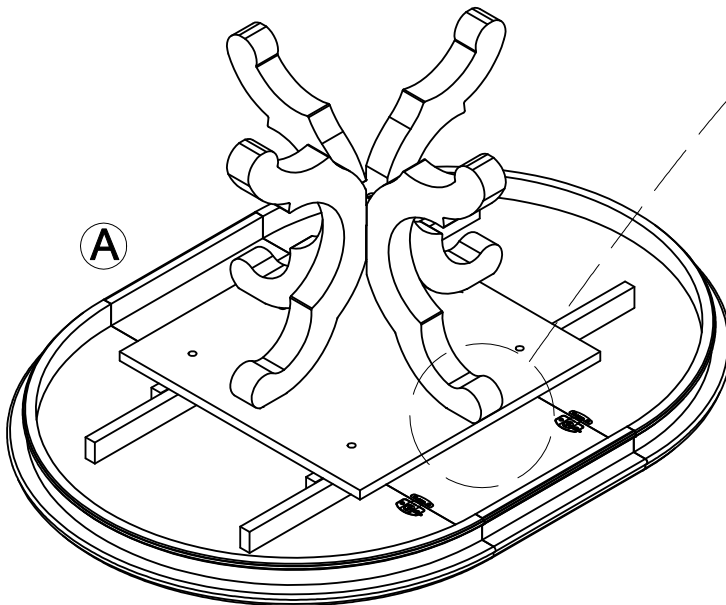
ITEM NO: DVC100 RPDTB/DVC100 RPDTT CHARLESTON WHITE
DVC200 RPDTB/DVC200 RPDTT CHARLESTON GRAY
DVC300 RPDTB/DVC300 RPDTT CHARLESTON TOBCC
PED TABLE BASE
ROUND PED TABLE TOP



Thank you for purchasing this quality product. Be sure to check all packing material carefully for small parts that may have come loose inside the carton during shipment.



STEP 2



STEP 3

MADE IN VIETNAM