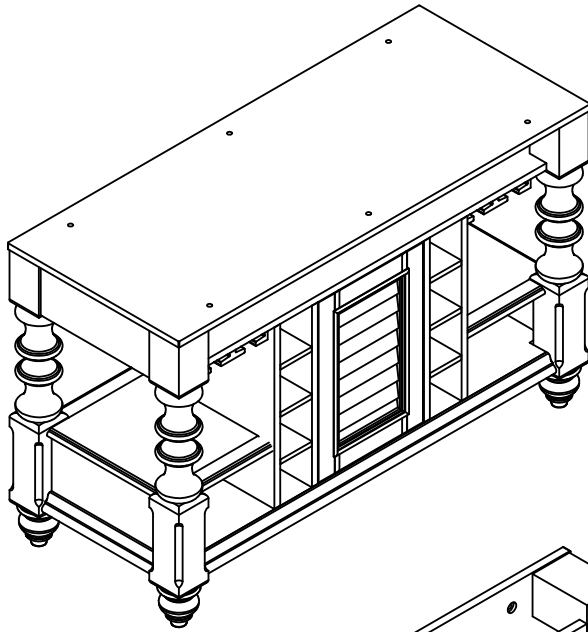


ASSEMBLY INSTRUCTIONS

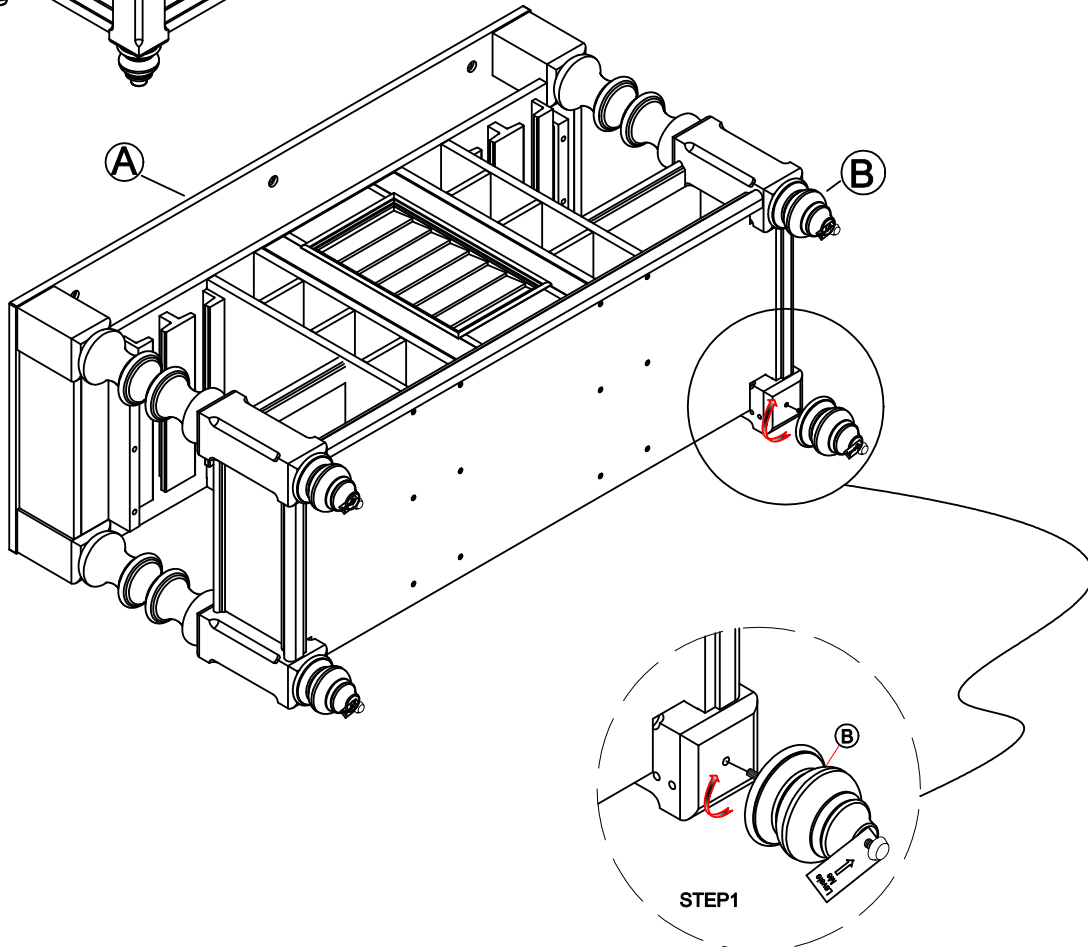
ITEM NO: DVC100 KITB CHARLESTON WHITE
 DVC200 KITB CHARLESTON GRAY
 DVC300 KITB CHARLESTON TOBCC
 KITCHEN ISLAND BASE



Thank you for purchasing this quality product. Be sure to check all packing material carefully for small parts that may have come loose inside the carton during shipment.



| PARTS LIST: | | | |
|-------------|-------------|--------|----------|
| No. | Description | Sketch | Quantity |
| A | Base | | 1 pc |
| B | Leg | | 4 pcs |



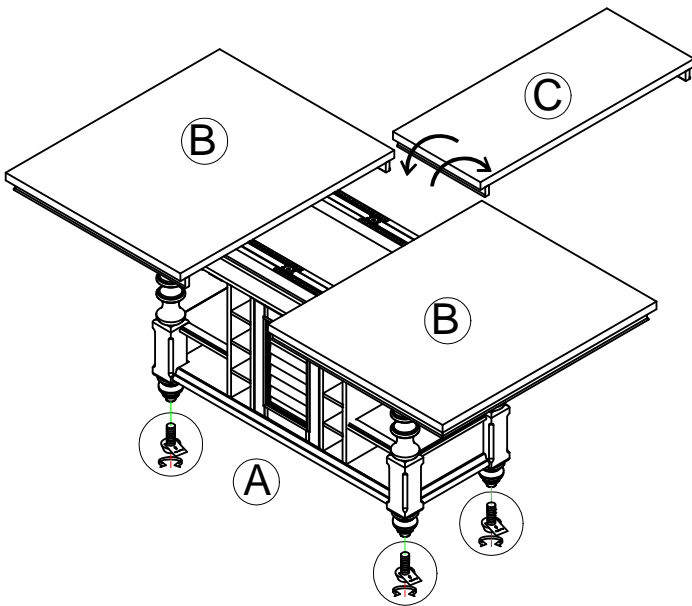
MADE IN VIETNAM



ASSEMBLY INSTRUCTIONS

ITEM NO:DVC100 KITB/DVC100 KITT CHARLESTON WHITE
 DVC200 KITB/DVC200 KITT CHARLESTON GRAY
 DVC300 KITB/DVC300 KITT CHARLESTON TOBCC
 KITCHEN ISLAND TOP
 KITCHEN ISLAND BASE

Thank you for purchasing this quality product. Be sure to check all packing material carefully for small parts that may have come loose inside the carton during shipment.

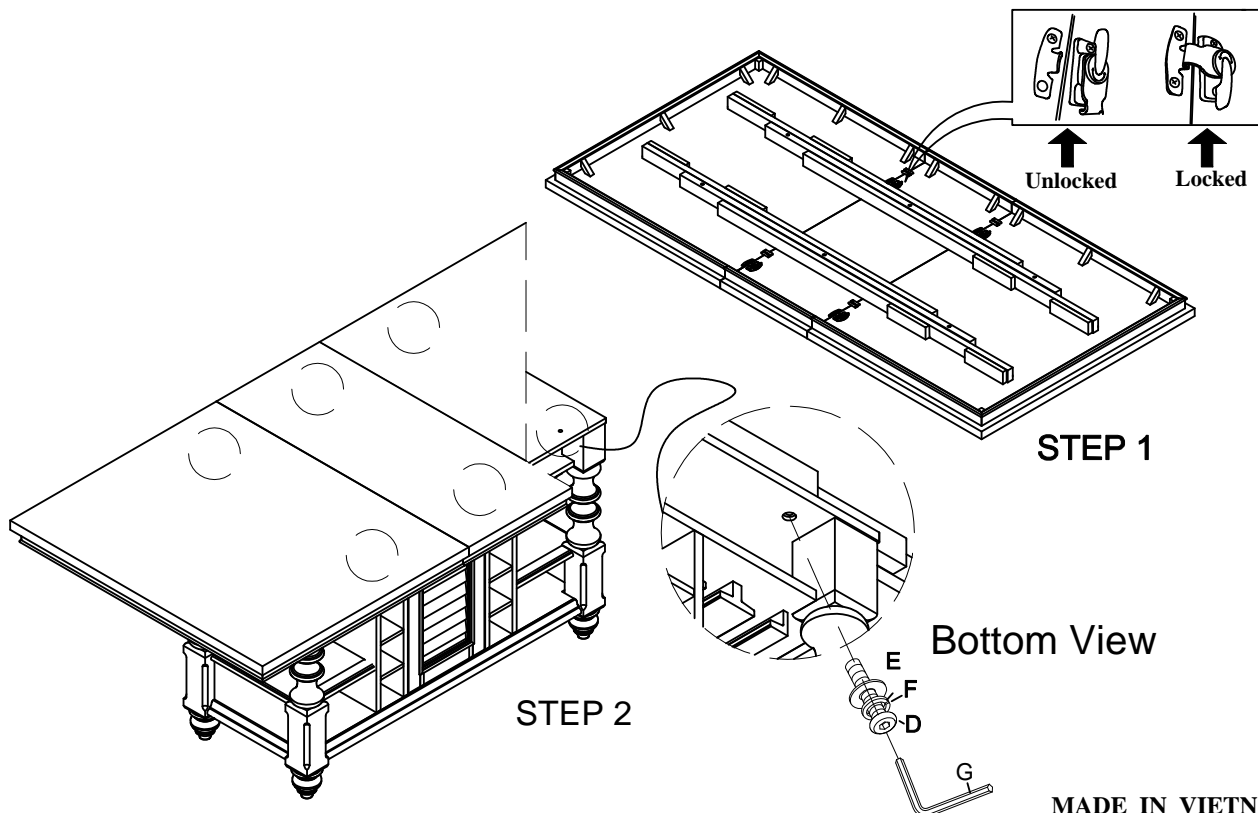


PARTS LIST:

| No. | Description | Sketch | Quantity |
|-----|-------------|--------|----------|
| A | Base | | 1 pc |
| B | Top | | 1 pc |
| C | Top Leaf | | 1 pc |

HARDWARE LIST:

| No. | Description | Sketch | Size | Quantity |
|-----|---------------|--------|-----------------------|----------|
| D | Bolt | | Ø5/16" L 38mm | 6 pcs |
| E | Flat washer | | Ø5/16" X 19mm X2mm | 6 pcs |
| F | Spring washer | | Ø5/16" X 12mm X2mm | 6 pcs |
| G | Allen wrench | | 4mm | 1 pc |
| H | Allen wrench | | 4mm | 1 pc |



MADE IN VIETNAM