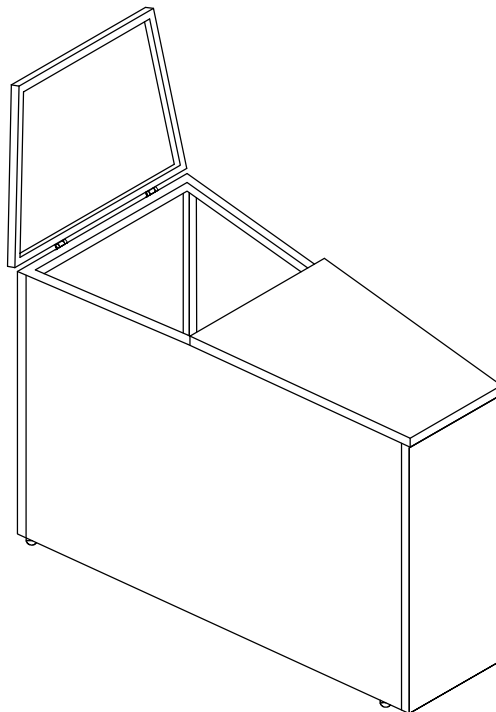


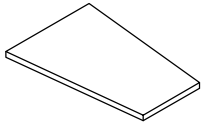
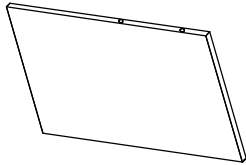
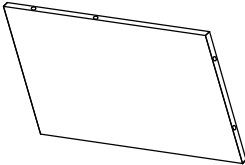

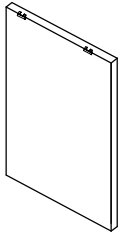
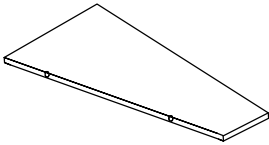
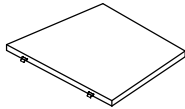


Catalina Outdoor Wicker Round Sectional Arm Table

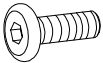
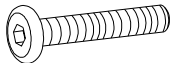
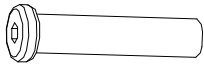
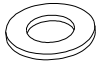

CO7210-BR



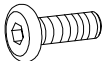
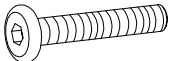
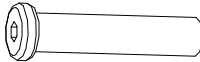
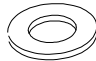
## PART LIST

 Long Wicker Top		 Right Side Panel			
A	1PC	B	1PC		
 Left Side Panel		 Front Panel			
C	1PC	D	1PC		
 Back Panel	 Bottom Panel		 Short Wicker Top		
E	1PC	F	1PC	G	1PC

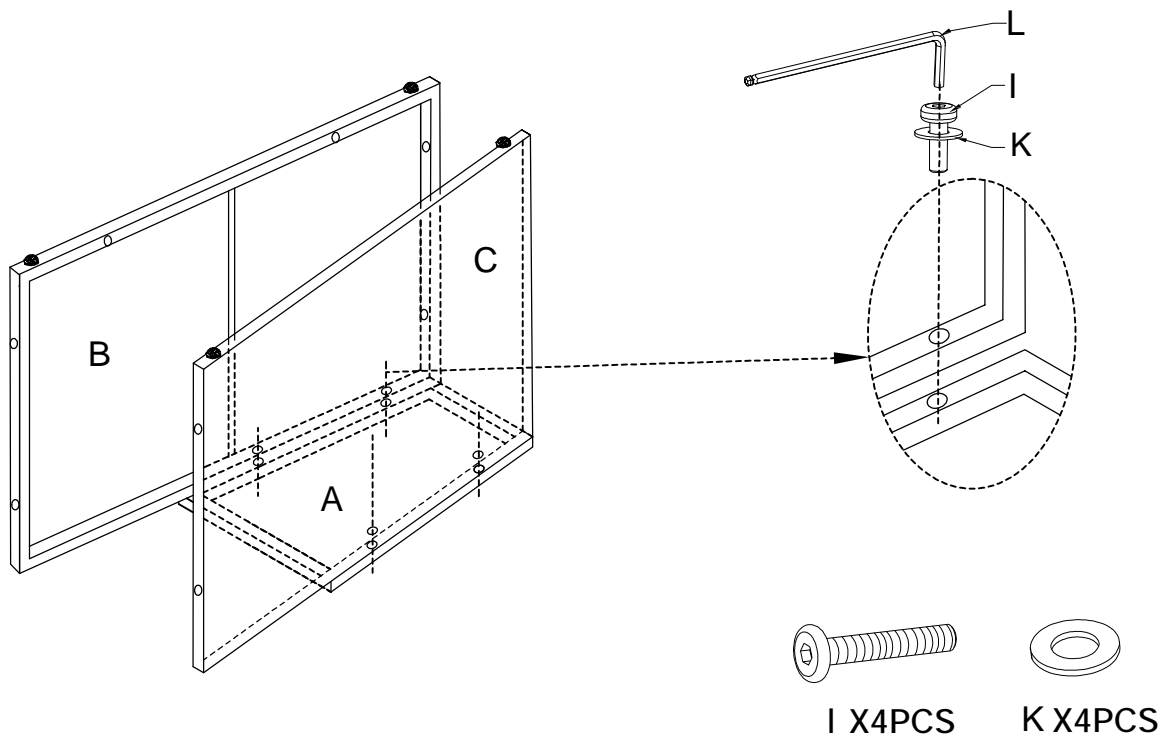
## HARDWARE LIST

 Short Bolt(M6*10mm)		 Long Bolt(M6*35mm)		 Inner Thread Bolt(M6*40mm)	
H	2PCS	I	16PCS	J	2PCS
 Washer(M6mm)		 Allen Key(M6mm)			
K	16PCS	L	2PCS		

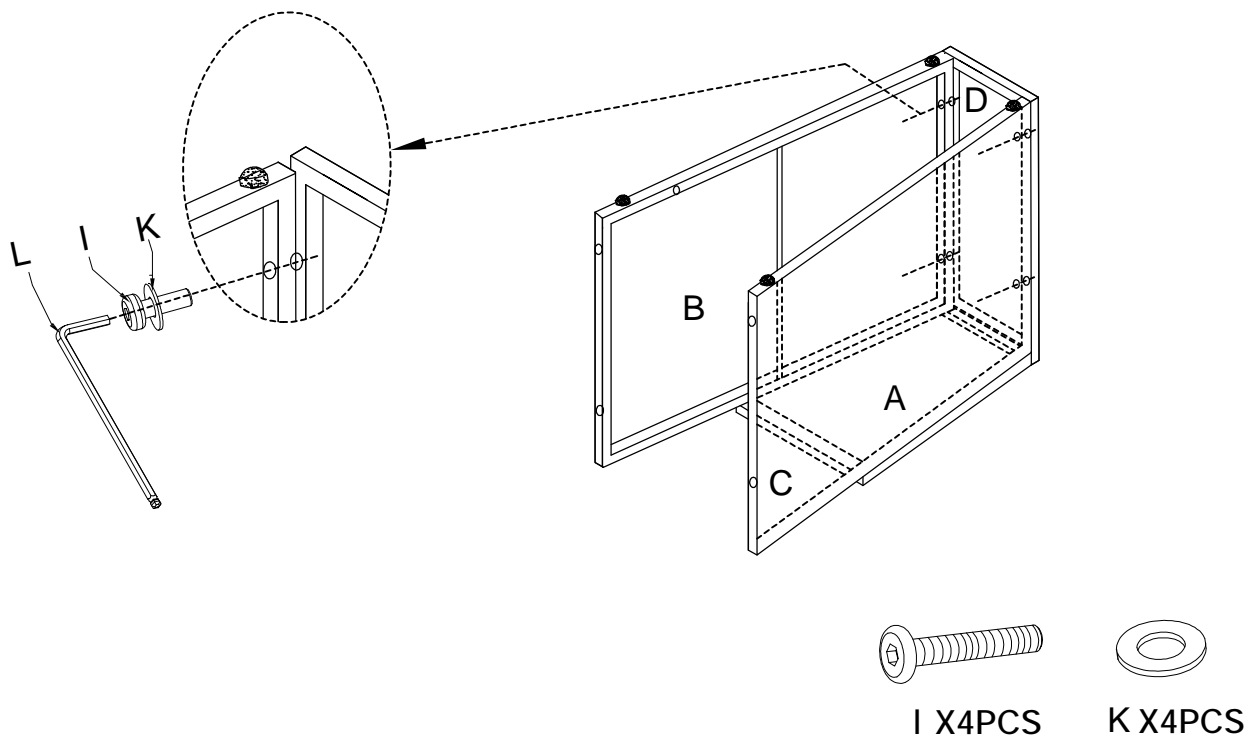
## EXTRA HARDWARE LIST

 H X1PC	 I X3PCS	 J X1PC	 K X3PCS
---	--	--	--

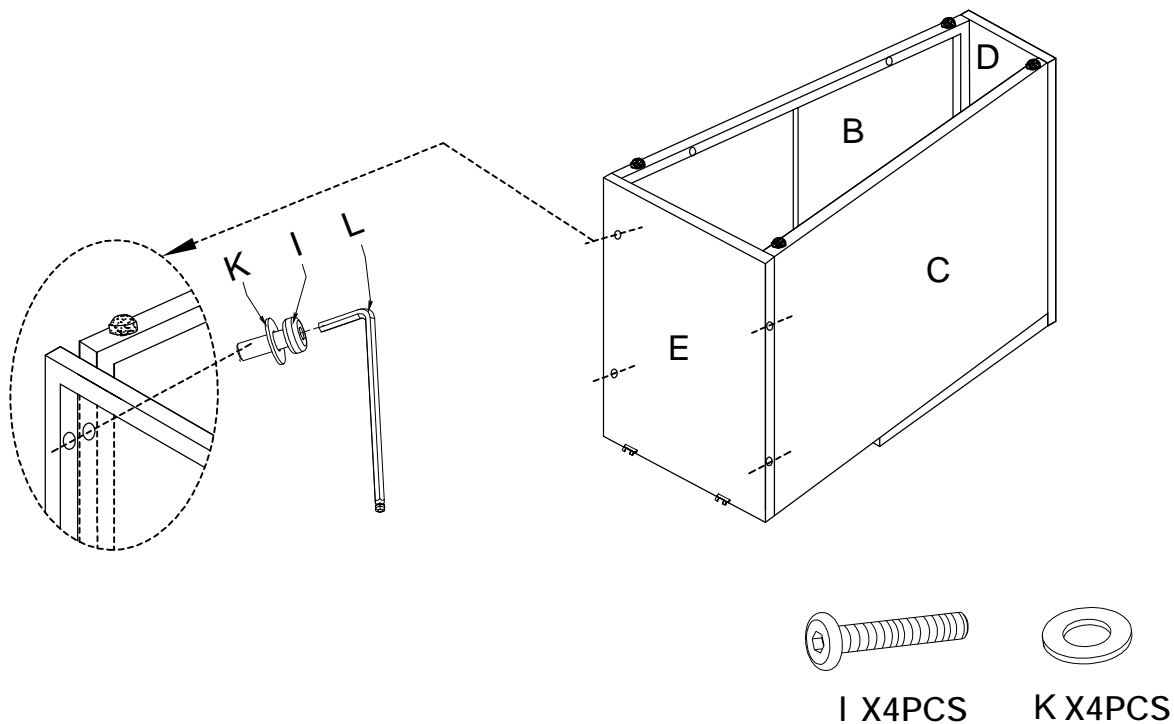
**Step 1.** Attach Side Panels(B&C) to Long Wicker Top(A) using Long Bolts(I), Washers(K) and Allen Key (L).  
NOTE: Thread down but do not tighten bolts until unit is fully assembled.



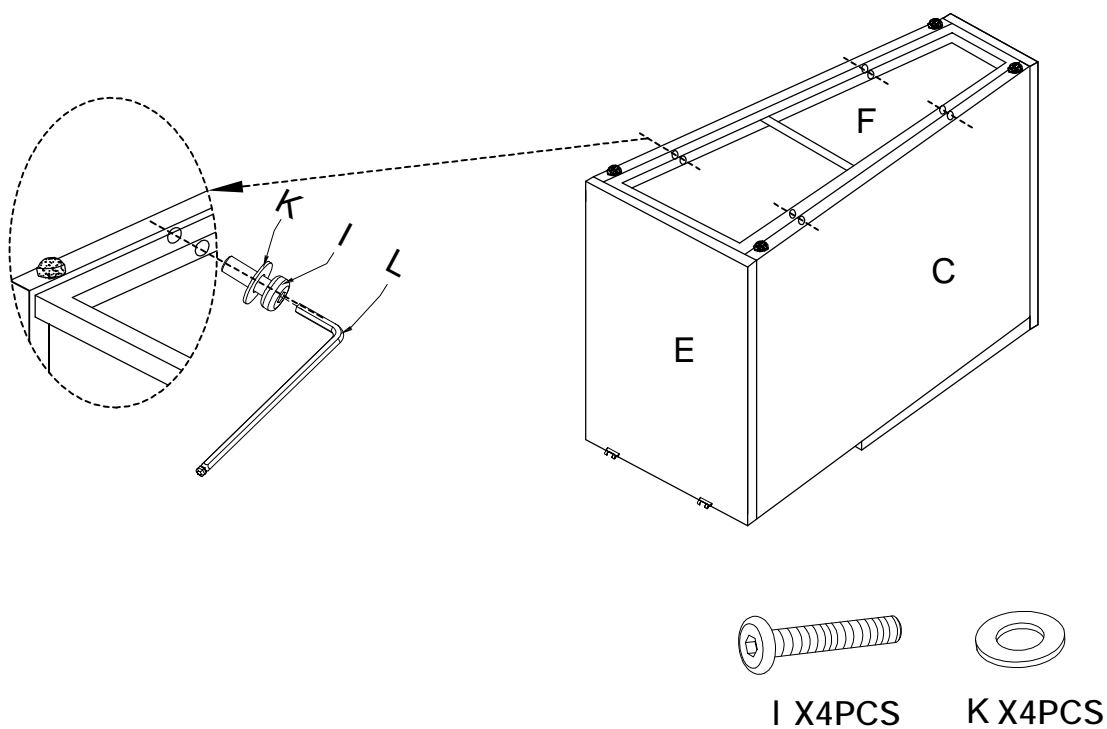
**Step 2.** Attach Front Panel(D) to assembled parts(A,B&C) using Long Bolts(I), Washers(K) and Allen Key (L).



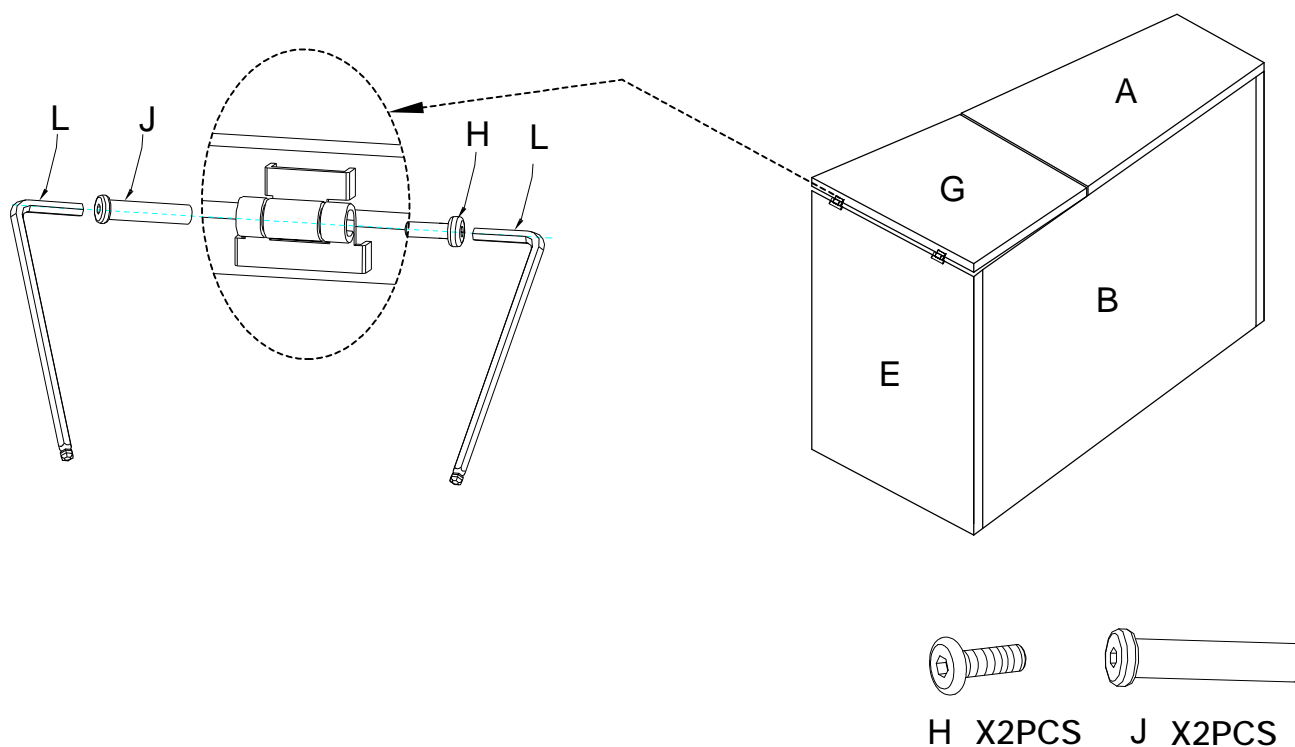
**Step 3.** Attach Back Panel(E) to assembled parts(A,B,C&D) using Long Bolts(I), Washers(K) and Allen Key (L).



**Step 4.** Attach Bottom Panel(F) to assembled parts(A,B,C,D&E) using Long Bolts(I), Washers(K) and Allen Key (L).



**Step 5.** Carefully turn the table upright. Attach Short Wicker Top(G) to Back Panel(E) using Inner Thread Bolts(J), Short Bolts(H) and Allen Key(L).



**Step 6.** Top Panel (G) can be opened and closed.

