



**PLEASE DO NOT RETURN THIS PRODUCT
TO THE RETAILER.**

*if you find that you have any trouble or missing or damaged parts,
please contact us at:*

1-800-815-4796

or via the web at

<http://www.crosleyfurniture.com/#/contactus>

**C R O S L E Y
F U R N I T U R E**

CROSLLEY
FURNITURE

LIMITED WARRANTY FOR US & CANADA

Please review this warranty policy in its entirety.

WARRANTY POLICY

Every Crosley product we sell is designed to meet and exceed your expectations. We are dedicated to providing excellent quality. If you have product questions outside manual instructions, it is best to contact our Consumer Support Team for assistance.

Crosley Consumer Support Team: Toll Free in the United States 1.800.815.4796

WHAT IS COVERED

Crosley Furniture (Modern Marketing Inc.) warrants furniture products against defects in material and workmanship under normal use for a period of 90 days beginning from the date of sale to the original purchaser. This warranty is not transferable and is only available for products in the United States and Canada.

WHAT IS NOT COVERED

Crosley Furniture (Modern Marketing Inc.) does NOT cover damage due to acts of nature, accident, misuse, abuse, mishandling, negligence, abnormal wear and tear, alterations, commercial use, modification, improper operation, improper assembly, improper cleaning methods or supplies, or attempted repair by anyone other than a facility authorized by Crosley Furniture to service the product. This warranty does not cover damage due to improper care and maintenance outside of the supplied literature accompanying the unit or available at www.crosleyfurniture.com. This warranty does not cover products sold AS IS, demo products, returns, second hand purchases or consumables. Customization of your product voids your warranty.

This warranty is valid only in the Continental United States and Canada.

HOW DO I MAKE A CLAIM?

Should you experience any damaged, defective, or missing parts, or need help with assembly please call our Consumer Support Team at 1-800-815-4796 from 8 AM to 6 PM (EST) Monday through Friday or submit a support request at www.crosleyfurniture.com/#/contactUs. Please note some customers may be referred back to the original retailer to resolve issues for certain situations and/or circumstances as deemed necessary by Crosley Furniture. Canadian customers may be subject to an additional fee for customs, duties, and taxes. We do not ship to APO/FPO/DPO addresses.

The purchaser's bill of sale from an Authorized Crosley Distributor/Retailer is the only proof of warranty entitlement and must be provided in the event of a request for parts or service under warranty. Parts replaced under warranty will be shipped via Ground Shipping only. Replacement parts will not be expedited unless the consumer is willing to pay for the extra charges.

CARE INSTRUCTIONS

To claim this limited warranty please follow the specific care instructions for the product. All care instructions accompany the unit or are available at www.crosleyfurniture.com/#/useandcare.

DISCLAIMER


This Limited Warranty is the only express warranty made to the consumer and is provided in lieu of any other express warranties or similar obligations (if any) created by any advertising, documentation, packaging, or other communications.

EXCEPT FOR THE LIMITED WARRANTY AND TO THE MAXIMUM EXTENT PERMITTED BY APPLICABLE LAW, CROSLEY BRANDS (MODERN MARKETING CONCEPTS INC.) HEREBY DISCLAIMS ALL OTHER WARRANTIES AND CONDITIONS, WHETHER EXPRESS, IMPLIED OR STATUTORY, INCLUDING, BUT NOT LIMITED TO, THE IMPLIED WARRANTY OF MERCHANTABILITY OR OF FITNESS FOR A PARTICULAR PURPOSE. IN NO EVENT SHALL CROSLEY BRANDS (MODERN MARKETING CONCEPTS INC.) OR ITS SUPPLIERS BE LIABLE TO THE CONSUMER OR ANY THIRD PARTY FOR ANY INDIRECT, INCIDENTAL, CONSEQUENTIAL, SPECIAL OR EXEMPLARY DAMAGES ARISING OUT OF THE USE OF THE PRODUCT, INCLUDING, WITHOUT LIMITATION, PROPERTY DAMAGE, LOSS OF VALUE OF THE PRODUCT OR LOSS OF USE OF THE PRODUCT, EVEN IF CROSLEY BRANDS (MODERN MARKETING CONCEPTS INC.) HAS BEEN ADVISED OF THE POSSIBILITY OF SUCH DAMAGES.

FINE PRINT

Your retailer or Authorized Crosley Distributor is responsible for any malfunctions during their specified return period. This warranty gives you specific legal rights, and you may have other rights that vary by state and jurisdiction. These rights shall not be affected by this limited warranty. This warranty cannot be transferred or reassigned. There are no express warranties except as listed above. The original purchaser's bill of sale is the only proof of warranty entitlement on any Crosley Product.

In accordance with the "Moss-Magnuson Warranty Act" of July 10, 1975, this is termed a "limited warranty" which in no way compromises Crosley Brands high standards of quality and workmanship.

 **WARNING:** This product can expose you to chemicals including wood dust and lead, which are known to the State of California to cause cancer or birth defects or other reproductive harm. For more information go to www.P65Warnings.ca.gov/furniture.

For more information go to www.CrosleyBrands.com/californiaproposition65

KEEPING YOUR FURNITURE BEAUTIFUL

Quality furniture is a significant investment expected to last for years on end. To maintain its beauty & help it last, furniture needs the right care, as no finish is totally indestructible. However, with regular care, the finish will last much longer, providing years of enjoyment to you.

TIPS TO PROTECT & CARE FOR YOUR FURNITURE

1. Avoid placing your furniture in direct sunlight, as sunlight causes fading.
2. Avoid extreme changes in temperature by arranging furniture away from radiators, heat & air vents, & air conditioning units.
3. Avoid placing plastic or rubber materials (lamp bases, notebooks, placemats, etc.) on your furniture, as certain plastics contain ingredients that may damage the finish.
4. Periodically rotate accessories on furniture so they do not sit in the same spot all the time.
5. Use pads, cloth or felt to protect the furniture surface from plastic, rubber, hot dishes beverages, bookends, flowerpots, & vases.
6. Clean up spills immediately, using a blotting rather than wiping action, as water left over a long period of time will cause white spots in the finish. Alcohol, perfume, after-shave & medications can cause severe finish damage.
7. Use a protective pad when writing on the furniture surface.
8. Lift & place objects rather than dragging them across the furniture surface.
9. Avoid placing furniture directly under windows.
10. Use cutting boards and trivets for food preparation in order to avoid damaging the top for the unit.

WOOD FURNITURE CARE

We recommend dusting frequently with a clean, soft, dry, lint-free cloth. Wipe spills immediately with a clean cloth. Clean the surface by rubbing in the direction of the grain and wipe dry. We recommend polishing your furniture approximately every six months with Guardsman Furniture Polish © or any furniture polish. We do not recommend the use of aerosol-powered cleaners, polishes that contain silicone, waxes, abrasives, or are oil based.

LEATHER FURNITURE CARE

To prevent cracks and surface damage we recommend keeping away from high humidity and low temperature rooms. Do not place by fire, stoves or heaters. Wipe spills immediately with clean non-abrasive cloth or sponge. For spots or stains, clean with mild detergent and warm water. Wring out excess water so cloth is damp before use. Rinse cloth in clear water and wring out, then wipe again to remove detergent residue. To prevent damage use a dry cloth to wipe excess moisture. Also, do not use chemical cleaners that contain bleach.

GRANITE CARE

Our granite is sealed. We recommend cleaning spills promptly. For daily cleaning, use warm water and a soft clean cloth. Granite cleaners can also be used for deep cleaning. Wipe dry. We do not recommend using abrasive cleaners, chemical solvents, strong detergents, cleaners with bleach and vinegar. Be sure to use trivets, coasters, placemats, and adhesive felt pads to help prevent scratches.

MARBLE CARE

Our marble is polished. We recommend cleaning spills promptly. For daily cleaning, use warm water and a soft clean cloth. Wipe dry. We do not recommend using abrasive cleaners, chemical solvents, strong detergents, cleaners with bleach and vinegar. Be sure to use trivets, coasters, placemats, and adhesive felt pads to help prevent scratches.

WOOD/BUTCHER BLOCK CARE

For best results, clean top surfaces with damp cloth and mild detergent. Towel it off to remove excess moisture. Do not use abrasives or powder cleansers. Do not allow moisture to stand on the surface for prolonged periods of time.

FAUX WOOD/MARBLE CARE

We recommend dusting frequently with a clean, soft, dry, lint-free cloth. Wipe spills immediately with a clean cloth. We do not recommend the use of aerosol-powered cleaners, polishes that contain silicone, waxes, abrasives, or are oil-based. To avoid damaging the surface of the furniture, always use a cutting board when cutting food or other items on the surface. Do not place hot items directly on the surface, always use pads or trivets to prevent damage.

STAINLESS STEEL CARE

Stainless Steel should always arrive unblemished. To clean, use warm water or over-the-counter stainless steel cleaner with a soft cloth. Spray your top lightly and rub in the direction of the grain of the metal finish until clean. Wipe dry. We do not recommend the use of abrasives, oven cleaners or products containing chloride. To avoid damaging the surface of the furniture, always use a cutting board when cutting food or other items on the stainless steel surface. We also recommend the use of trivets or insulated heat pads under hot pans to avoid scorching.

RESIN WICKER FURNITURE CARE

Regular cleaning is recommended for wicker, as it generally cannot endure harsh or abrasive treatments. This also minimizes mildew buildup. To remove dirt and debris, vacuum with a dust-brush attachment or use a dry paintbrush. Clean with a mild soap solution, scrub with a sponge, rinse with cold water and dry completely. Avoid sitting on the wicker when still damp, which can cause wicker to sag. If wicker furniture is caught during a sudden rain storm, please make sure to drain any water that may have accumulated inside the frame and dry completely. **Please always cover the furniture when not in use, and store properly during inclement weather and the winter/rainy seasons.**

METAL FURNITURE CARE

Because most metals, except aluminum, are subject to rust, metal furniture is usually finished with layers of clear varnish, paint, or a durable powder coating. To clean, use a mild soap solution, scrub, rinse and dry. On outdoor furniture, make sure to drain any water that may accumulate inside the frames after rinsing. After cleaning, apply a coat of quality liquid or paste wax with a lint-free cloth. Use a silicone spray to lubricate swivels and glides on chairs. If metal outdoor furniture is caught during a sudden rain storm, please make sure to drain any water that may have accumulated inside the frame and dry completely. **Please always cover the furniture when not in use, and store properly during inclement weather and the winter/rainy seasons.** On indoor furniture, do not use abrasives or products such as Brasso © as this may lead to the accidental removal of antique finishes and also to staining or damage to surrounding areas of fabric (IE Bed Buttons).

FABRIC MATERIALS CARE

Prevent stains by removing crumbs, dust, dirt, and debris. To remove dirt and debris, vacuum with a dust-brush attachment. Clean spills immediately! For Linen – If the linen item is removable, place the item in a clean sink or tub with cool water and a mild detergent. Gently agitate the linen items, then remove from the soapy water. Rinse with cool water and hang dry. If not removable, then spot clean by dabbing with solution of cool water and a mild detergent on a soft non-abrasive cloth. For Microfiber - If the microfiber item is removable, machine wash in cold water with mild detergent. No fabric softeners as they will clog the open spaces in the microfiber, making the fabric useless. Avoid washing with cotton items because the microfiber will grab on to the lint. If not removable, then spray the area lightly with a water-based solution; using a soft cloth and a blotting motion to remove the stain. Fully air dry.

OUTDOOR CUSHION CARE

Our cushions are made from a high density polyester foam, and the covers are made from a moisture resistant polyester blend. This does not mean they are waterproof! We do not recommend leaving cushions out in inclement weather, and if cushions become wet, please dry them immediately by removing the cushion from the cover so they can dry separately. Wring out any excess moisture before drying. Air dry only! Cushion covers are machine washable (gentlest cycle with like colors and cold water), and we recommend separating the cushion cover from the core for any cleaning purposes. Cushions should be stored and covered when not in use to protect them from rain, sunlight, and other staining agents.

OUTDOOR FURNITURE STORAGE

We highly recommend storing any outdoor furniture during the winter/rainy seasons. Before storing your furniture, please ensure all moisture collected in the frame tubes has been drained and wipe dry. When outdoor furniture is not in use, we recommend covering all the furniture to protect it against the elements. If outdoor furniture is caught during a sudden rain storm, please make sure to drain any water that may have accumulated inside the frame and wipe dry.

OUTDOOR COVER CARE

Our covers are made from heavy gauge and reinforced vinyl making them waterproof. We recommend hand washing in lukewarm water and allowing to fully air dry before reusing or storing. We do not recommend using a washing machine or soaps and detergents as it may destroy the protective coatings. Remove the covers periodically to check for moisture build-up.

COASTAL CUSTOMERS

Due to the corrosive nature of salt, extra care must be taken due to the higher salinity in the air as well as the possibility of direct contact from sea spray. Keep outdoor metal/wicker furniture covered when not in use, and rinse with fresh water on a regular basis to prevent salt accumulation.

Make sure to drain any water that may accumulate inside the frames after rinsing.

FIRE PIT/TABLE CARE

Crosley wood burning fire pits are only rated for a 'decorative' or 'recreational' burn from 350 to 500°F. Anything higher/larger than that may require additional protection from a third party paint application such as Krylon © 'Max Heat' which is rated for 1200° F. Crosley does NOT support the use of our fire pit/ table(s) outside of these temperature and usage recommendations due to obvious safety reasons. It is recommended to cover the fire pit with a tarp (or provided cover depending on model) when not in use.



PROPOSITION 65 WARNING: Burning fireplace or wood stove fuels such as natural firewood results in emission of carbon monoxide, soot, and other combustion by-products which are known by the State of California to cause cancer, birth defects, or reproductive harm.

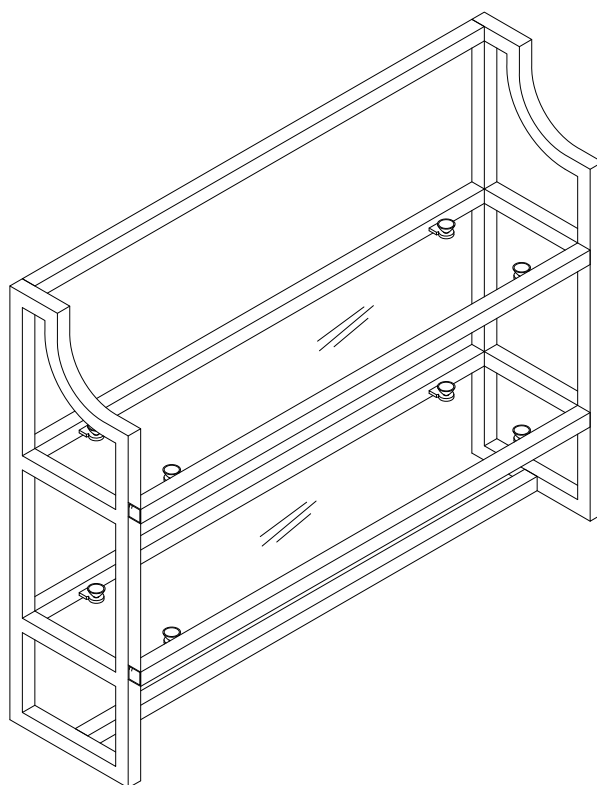
For more information, go to: www.P65Warnings.ca.gov.

As products are improved upon and new products are released, our Use and Care Instructions are regularly updated at: useandcare.crosleyfurniture.com

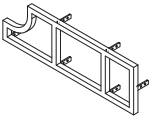
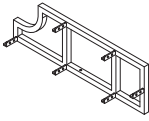
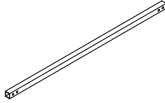
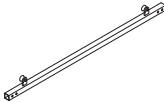
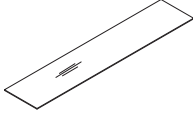
CROSLEY

FURNITURE

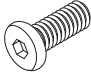

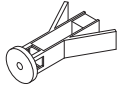
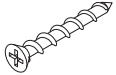

Wall Shelf CF6204



PART LIST

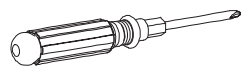
<div data-bbox="76 185 124 230" style="border: 1px solid black; padding: 2px;">A</div> 	<div data-bbox="363 185 411 230" style="border: 1px solid black; padding: 2px;">B</div> 	<div data-bbox="651 185 699 230" style="border: 1px solid black; padding: 2px;">C</div> 	<div data-bbox="938 185 986 230" style="border: 1px solid black; padding: 2px;">D</div> 	<div data-bbox="1225 185 1273 230" style="border: 1px solid black; padding: 2px;">E</div> 
<p style="text-align: center;">Left Frame 1 PC</p>	<p style="text-align: center;">Right Frame 1 PC</p>	<p style="text-align: center;">Cross Rail 2 PCS</p>	<p style="text-align: center;">Shelf Rail 4 PCS</p>	<p style="text-align: center;">Shelf Glass 2 PCS</p>

HARDWARE LIST

<div data-bbox="76 797 124 842" style="border: 1px solid black; padding: 2px;">#1</div>  <p style="text-align: center;">1/4" x 1/2"</p>	<div data-bbox="363 797 411 842" style="border: 1px solid black; padding: 2px;">#2</div> 	<div data-bbox="651 797 699 842" style="border: 1px solid black; padding: 2px;">#3</div> 	<div data-bbox="938 797 986 842" style="border: 1px solid black; padding: 2px;">#4</div> 	<div data-bbox="1225 797 1273 842" style="border: 1px solid black; padding: 2px;">#5</div> 
<p style="text-align: center;">Bolt 12 PCS (Extra 1)</p>	<p style="text-align: center;">Allen Wrench 1 PC</p>	<p style="text-align: center;">Wall Anchor 2 PCS</p>	<p style="text-align: center;">Screw 2 PCS</p>	<p style="text-align: center;">Suction Cup Extra 2 PCS</p>

ADDITIONAL TOOLS (Not Provided)

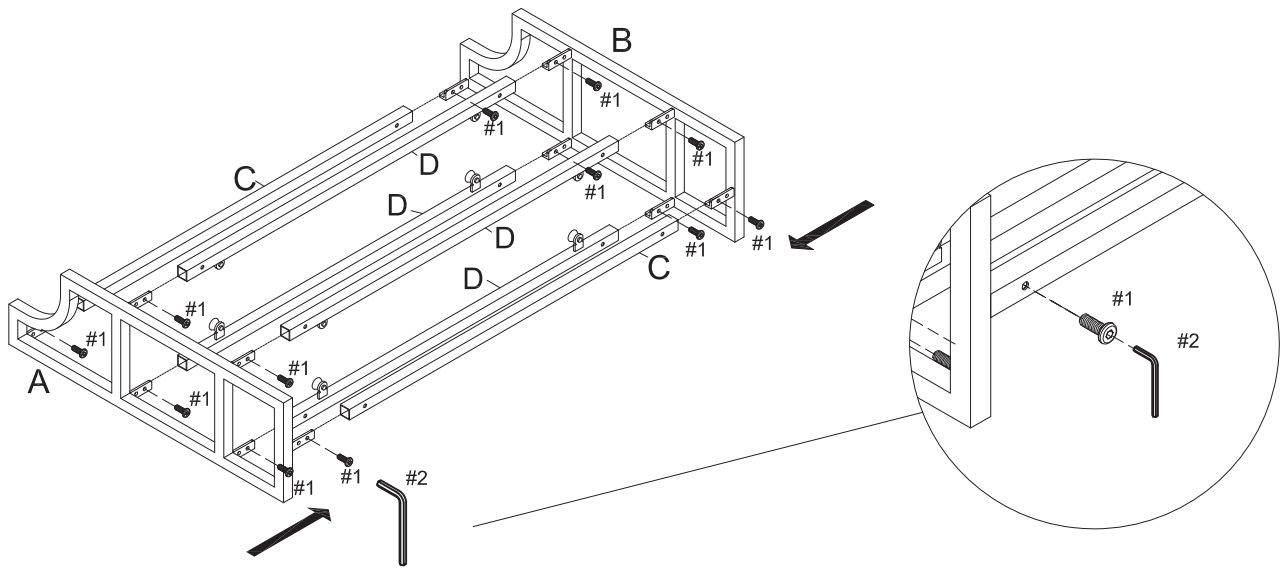
Note: It is not recommended to use power tools during assembly.





Phillips Head Screwdriver

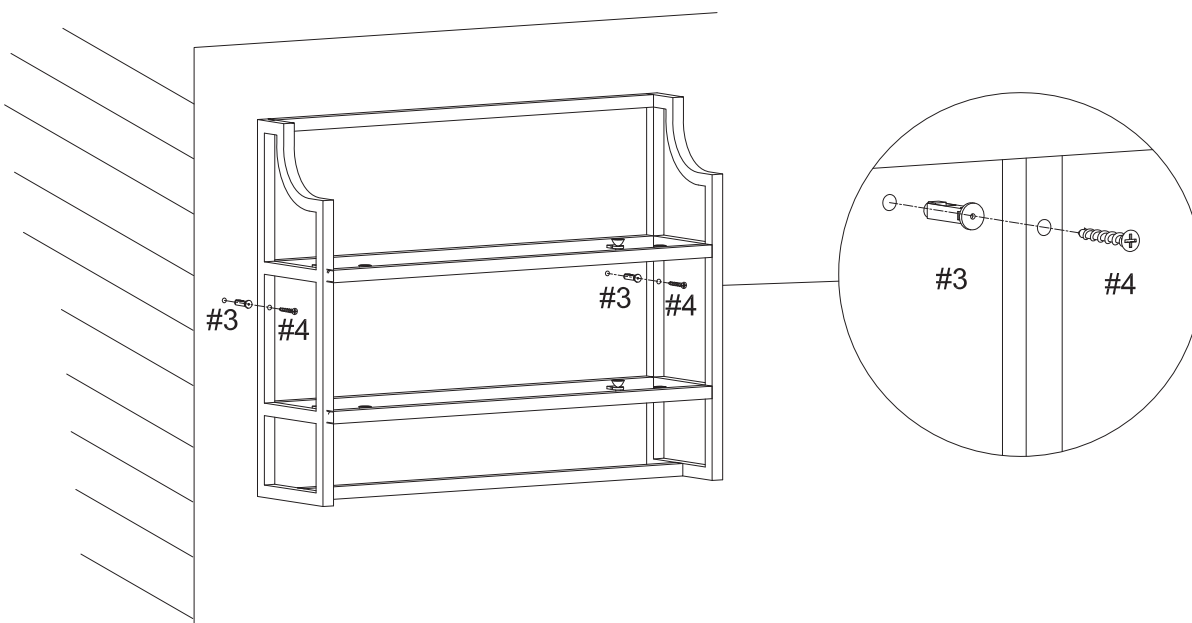
Step 1. Insert cross rails (part C) and shelf rails (part D) into frames (parts A & B) using bolts (part #1) and allen wrench (part #2).



Note: Please fully tighten all bolts at this time.



- #1  x 12
- #2  x 1

Step 2. Drill two 11/32" holes in the wall where this unit will be secured. Tap wall anchors (part #3) into the drilled holes. Attach unit to wall anchors (part #3) using screws (part #4) and philips head screwdriver and tighten to secure.



- #3  x 2
- #4  x 2

Step 3. Carefully install shelf glass (part E) into the frames.

