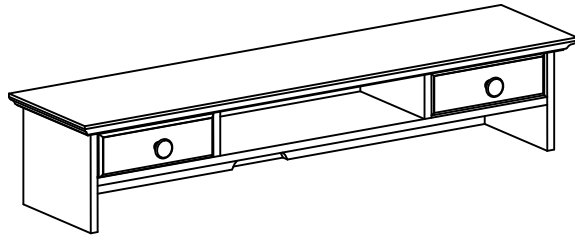
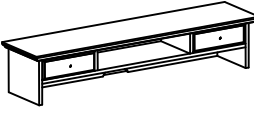
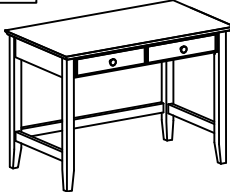





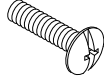

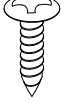
Writing Hutch  
CF6510



# PART LIST

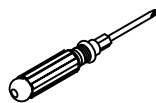
<p><b>A</b></p> 	<p><b>B</b></p> 
<p>Hutch</p> <p>1 PC</p>	<p>Desk (Packed In Individual Carton)</p> <p>1 PC</p>

# HARDWARE LIST

<p><b>#1</b></p> 	<p><b>#2</b></p>  <p>1-1/4" * Ø5/32" * D9mm</p>	<p><b>#3</b></p> 	<p><b>#4</b></p>  <p>14mm * Ø3 * D6mm</p>
<p>Knob</p> <p>2 PCS</p>	<p>Round Head Bolt</p> <p>3 PCS(Extra 1)</p>	<p>Metal Plate</p> <p>2 PCS</p>	<p>Round Head Screw</p> <p>9 PCS(Extra 1)</p>

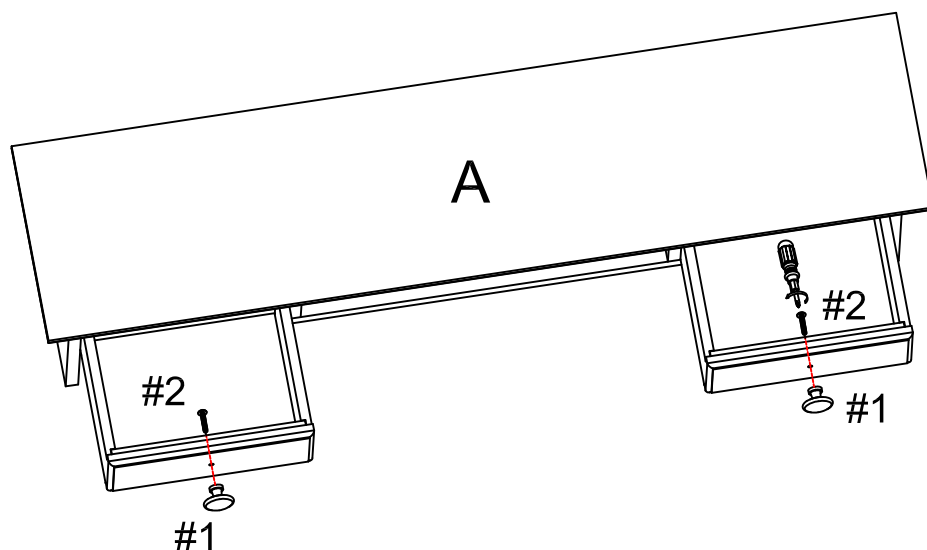
**ADDITIONAL TOOLS: (Not provided)**



**Note: It is not recommended to use power tools during assembly.**



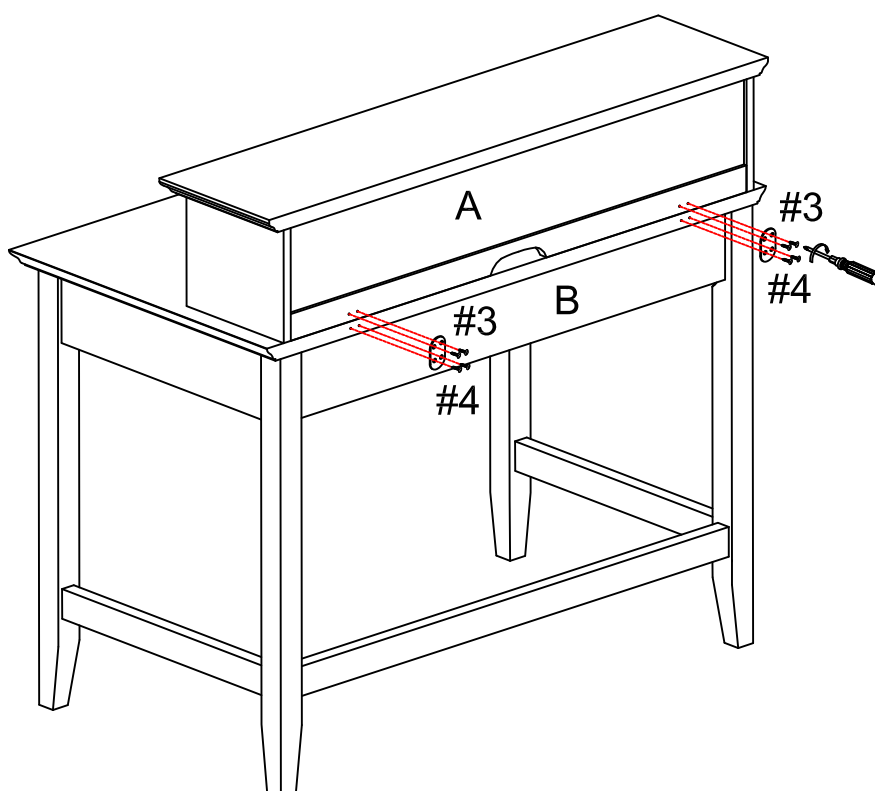
**Phillips Head Screwdriver**

Step 1. Open two drawers as shown. Attach knobs (part #1) to the front of drawers using round head bolts (part #2) and Phillips head screwdriver.



#1  x2  
#2  x2

Step 2. Attach hutch (part A) to desk (part B) using metal plates (part #3), round head screws (part #4) and Phillips head screwdriver.



#3  x2  
#4  x8

