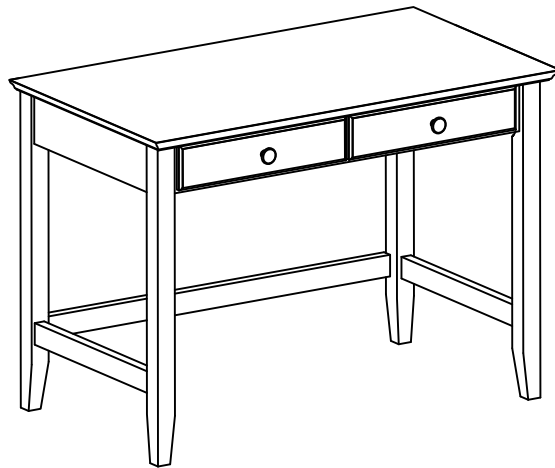
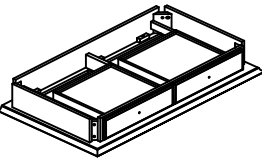
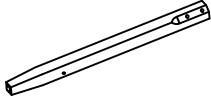
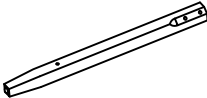
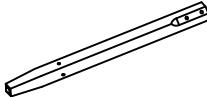
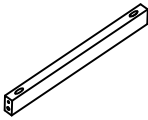
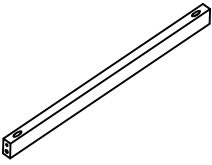




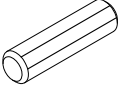

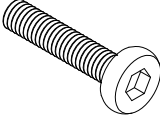

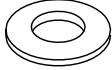

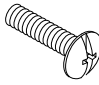
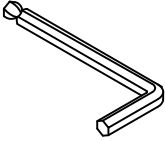
Writing Desk
CF6506



PART LIST

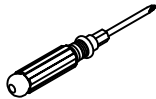
<p>A</p> 	<p>B</p> 	<p>C</p> 	<p>D</p> 	<p>E</p> 
<p>Top Panel 1 PC</p>	<p>Left Front Leg 1 PC</p>	<p>Right Front Leg 1 PC</p>	<p>Back Leg 2 PCS</p>	<p>Side Rail 2 PCS</p>
<p>F</p> 				
<p>Back Rail 1 PC</p>				

HARDWARE LIST

<div data-bbox="129 215 188 271" data-label="Text">#1</div> 	<div data-bbox="400 215 459 271" data-label="Text">#2</div> 	<div data-bbox="671 215 730 271" data-label="Text">#3</div> 	<div data-bbox="943 215 1002 271" data-label="Text">#4</div> 	<div data-bbox="1214 215 1273 271" data-label="Text">#5</div> 
<div data-bbox="172 461 344 495" data-label="Text">Wood Dowel</div> <div data-bbox="172 533 344 562" data-label="Text">7 PCS(Extra 1)</div>	<div data-bbox="432 427 624 456" data-label="Text">1-1/2"*Ø4*D8mm</div> <div data-bbox="501 461 584 495" data-label="Text">Screw</div> <div data-bbox="448 533 624 562" data-label="Text">7 PCS(Extra 1)</div>	<div data-bbox="687 427 919 456" data-label="Text">1-3/4"*Ø1/4"*D11mm</div> <div data-bbox="743 461 887 517" data-label="Text">Hex Socket Head Bolt</div> <div data-bbox="719 533 895 562" data-label="Text">9 PCS(Extra 1)</div>	<div data-bbox="979 461 1166 495" data-label="Text">Spring washer</div> <div data-bbox="991 533 1166 562" data-label="Text">9 PCS(Extra 1)</div>	<div data-bbox="1262 461 1422 495" data-label="Text">Flat Washer</div> <div data-bbox="1254 533 1430 562" data-label="Text">9 PCS(Extra 1)</div>
<div data-bbox="129 566 188 622" data-label="Text">#6</div> 	<div data-bbox="400 566 459 622" data-label="Text">#7</div> 	<div data-bbox="671 566 730 622" data-label="Text">#8</div> 		
<div data-bbox="229 819 304 853" data-label="Text">Knob</div> <div data-bbox="220 891 300 920" data-label="Text">2 PCS</div>	<div data-bbox="416 786 647 815" data-label="Text">1-1/4"*Ø5/32"*D9mm</div> <div data-bbox="421 819 647 853" data-label="Text">Round Head Bolt</div> <div data-bbox="443 891 619 920" data-label="Text">3 PCS(Extra 1)</div>	<div data-bbox="711 819 887 853" data-label="Text">Allen Wrench</div> <div data-bbox="767 891 831 920" data-label="Text">1 PC</div>		

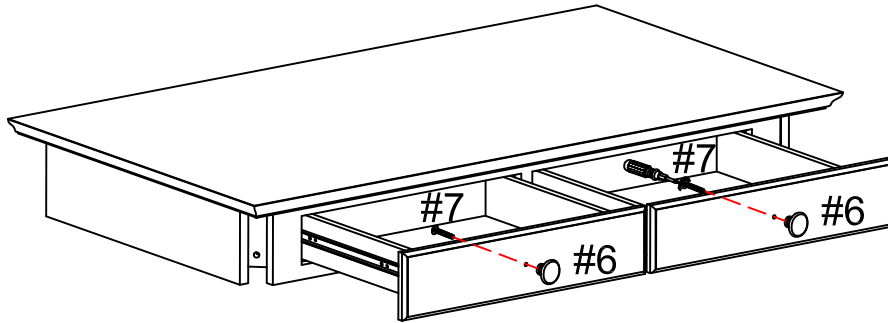
ADDITIONAL TOOLS (Not Provided)



Note: It is not recommended to use power tools during assembly.



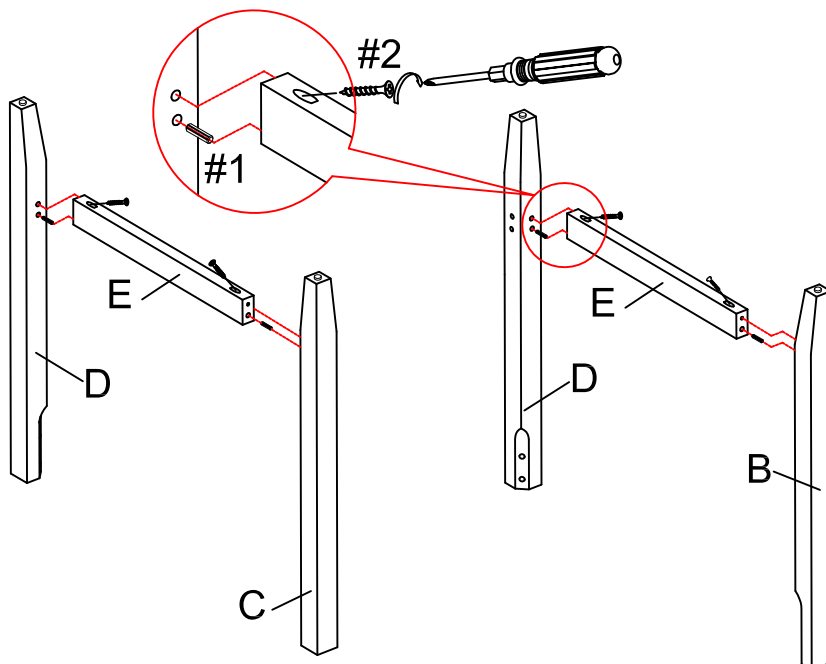
Phillips Head Screwdriver



Step 1. Attach knobs (part #6) to the drawers using round head bolts (part #7) and Phillips head screwdriver.



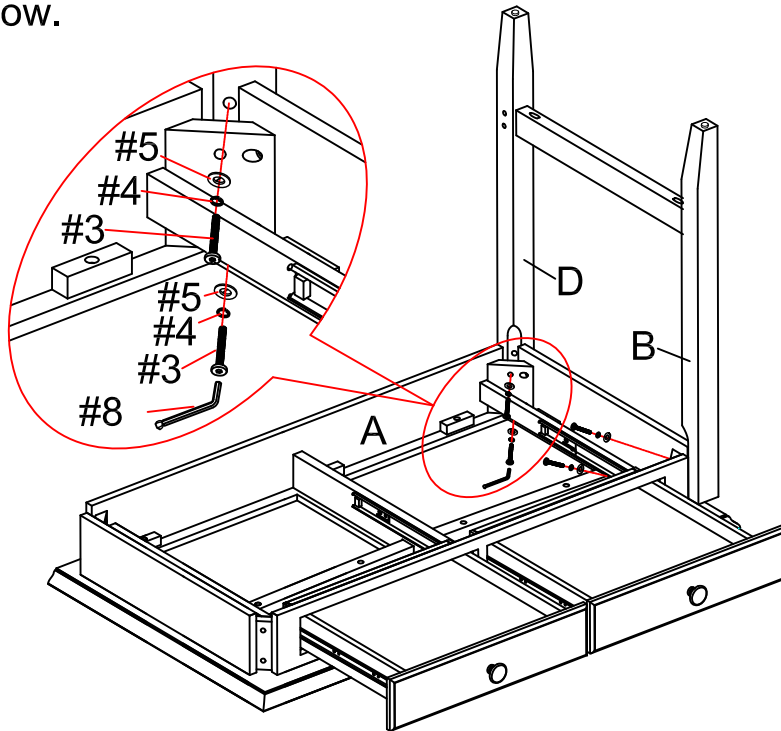
#6  x2
#7  x2





Step 2. Attach side rail (part E) to right front leg (part C) and back leg (part D) using wood dowels (part #1), screws (part #2) and Phillips head screwdriver. Attach side rail (part E) to left front leg (part B) and back leg (part D) using wood dowels (part #1), screws (part #2) and Phillips head screwdriver.



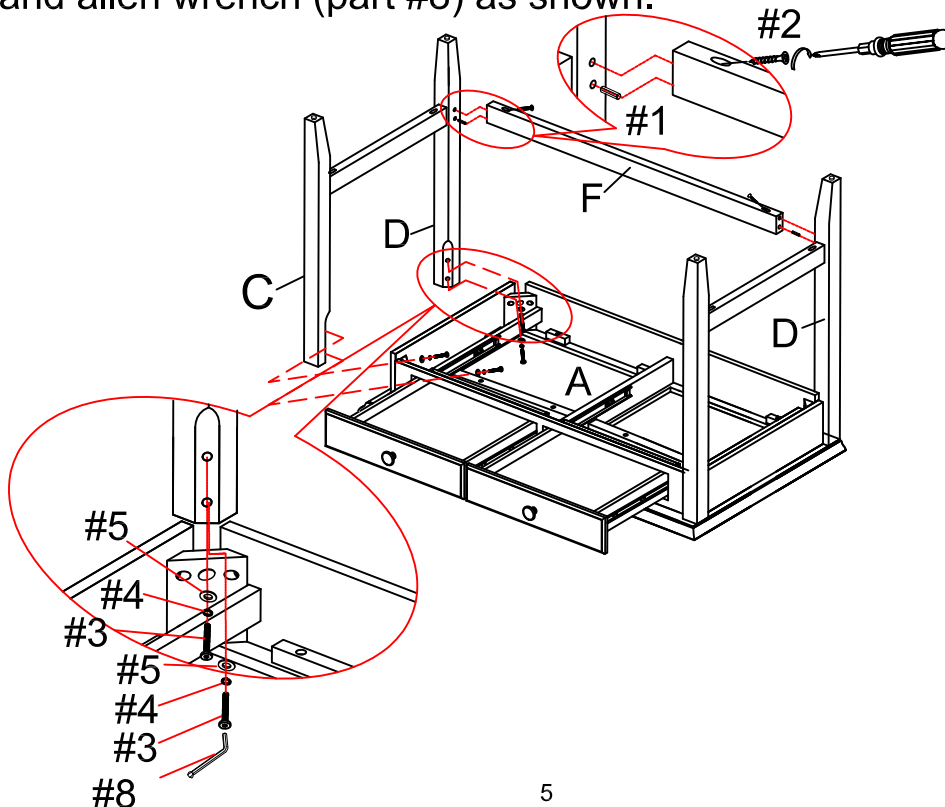
#1  x4
#2  x4







Step 3. Carefully lay top panel (part A) upside down on a soft surface and open drawers as shown. Attach assembled legs (parts B & D) to top panel (part A) using flat washers (part #5), spring washers (part #4), hex socket head bolts (part #3), and allen wrench (part #8) as shown below.



- #3  x4
- #4  x4
- #5  x4
- #8  x1

Step 4. Attach back rail (part F) to back legs (part D) using wood dowels (part #1), screws (part #2) and Phillips head screwdriver. Attach assembled legs (parts C & D) to top panel (part A) using flat washers (part #5), spring washers (part #4) hex socket head bolts (part #3), and allen wrench (part #8) as shown.



- #1  x2
- #2  x2
- #3  x4
- #4  x4
- #5  x4
- #8  x1

Step 5. Carefully flip desk upright.

