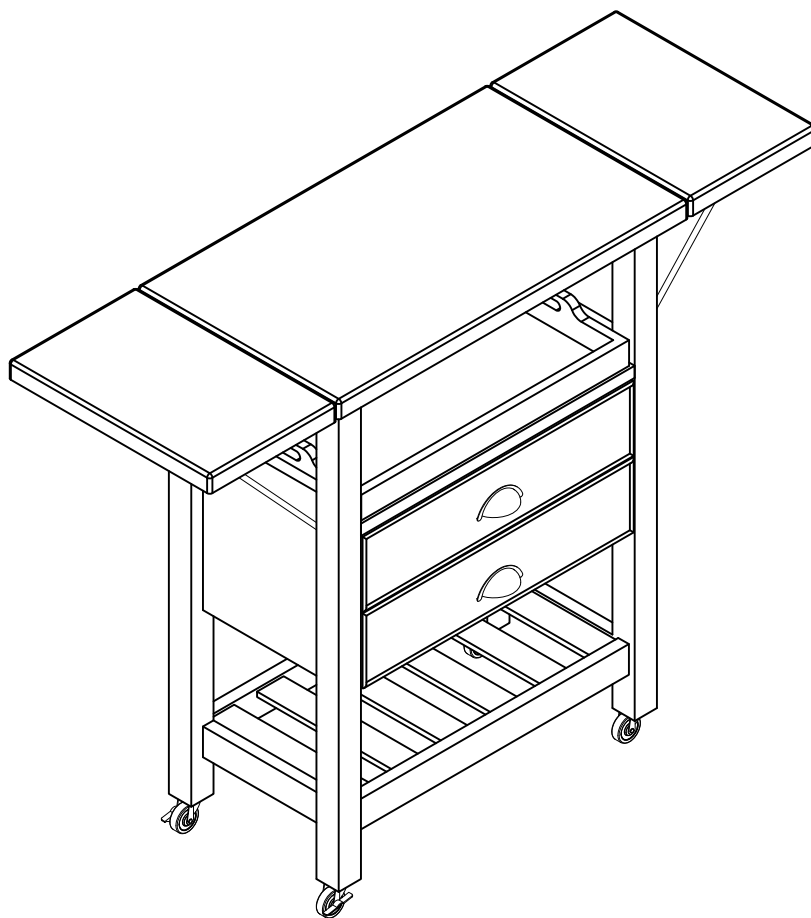
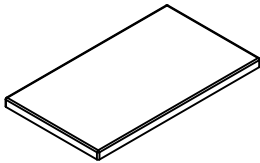
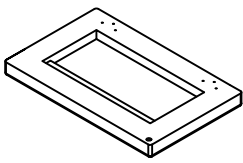
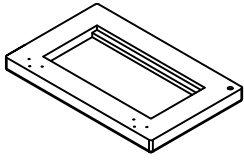
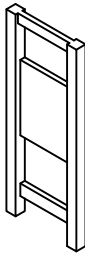
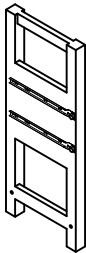
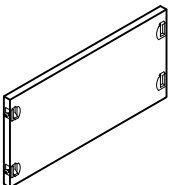
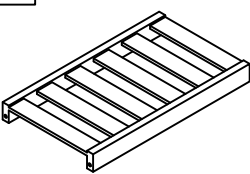
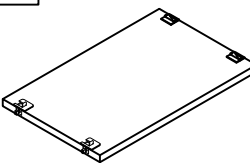
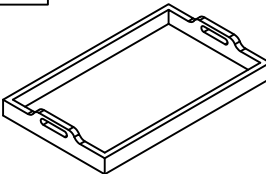
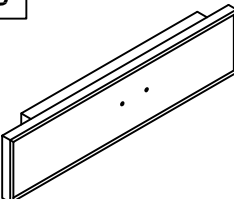
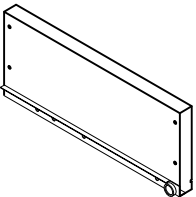
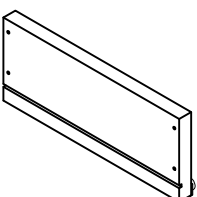
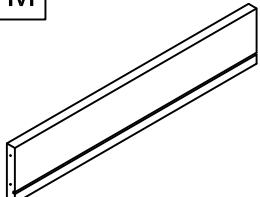
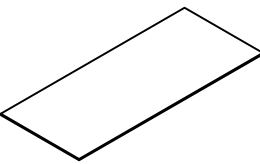




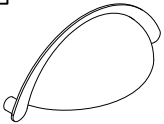
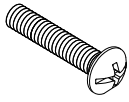
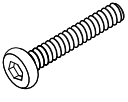

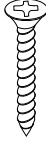
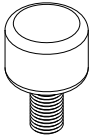

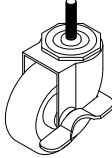
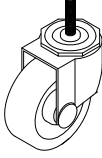
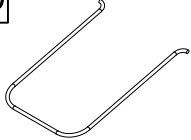
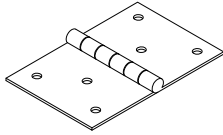

Double Drop Leaf Kitchen cart  
CF3023



# PART LIST

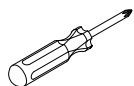
<p><b>A</b></p> 	<p><b>B</b></p> 	<p><b>C</b></p> 	<p><b>D</b></p> 	<p><b>E</b></p> 
<p>Top Panel 1 PC</p>	<p>Left Top Panel 1 PC</p>	<p>Right Top Panel 1 PC</p>	<p>Left Frame 1 PC</p>	<p>Right Frame 1 PC</p>
<p><b>F</b></p> 	<p><b>G</b></p> 	<p><b>H</b></p> 	<p><b>I</b></p> 	<p><b>J</b></p> 
<p>Back Panel 1 PC</p>	<p>Bottom Frame 1 PC</p>	<p>Shelf Panel 1 PC</p>	<p>Tray 1 PC</p>	<p>Drawer Front Panel 2 PCS</p>
<p><b>K</b></p> 	<p><b>L</b></p> 	<p><b>M</b></p> 	<p><b>N</b></p> 	
<p>Drawer Right Panel 2 PCS</p>	<p>Drawer Left Panel 2 PCS</p>	<p>Drawer Back Panel 2 PCS</p>	<p>Drawer Bottom Panel 2 PCS</p>	

# HARDWARE LIST

<p>#1</p> 	<p>#2</p>  <p>Ø5/32"*15mm</p>	<p>#3</p>  <p>Ø1/4"*50mm</p>	<p>#4</p>  <p>Ø3.5*14mm</p>	<p>#5</p>  <p>Ø3*30mm</p>
<p>Handle 2 PCS</p>	<p>Round Head Bolt 4 PCS</p>	<p>Bolt 8 PCS</p>	<p>Short Screw 24 PCS (Extra 1)</p>	<p>Screw 16 PCS (Extra 1)</p>
<p>#6</p> 	<p>#7</p>  <p>Ø8"*30mm</p>	<p>#8</p> 	<p>#9</p> 	<p>#10</p> 
<p>Bumper 2 PCS</p>	<p>Wood Dowel 8 PCS (Extra 1)</p>	<p>Locking Caster 2 PCS</p>	<p>Caster 2 PCS</p>	<p>Studdle 2 PCS</p>
<p>#11</p> 	<p>#12</p> 			
<p>Hinge 4 PCS</p>	<p>Allen Wrench 1 PC</p>			

## ADDITIONAL TOOLS (Not Provided)

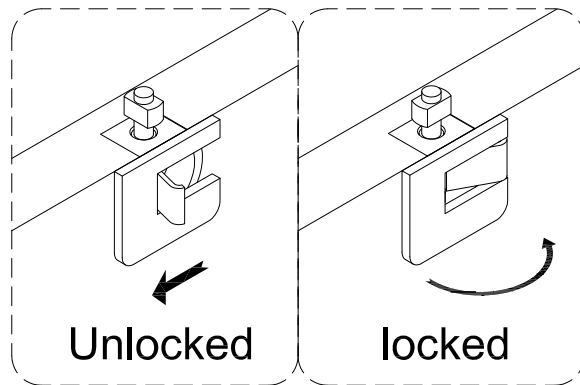
Note: It is not recommended to use power tools during assembly.



Phillips Head Screwdriver

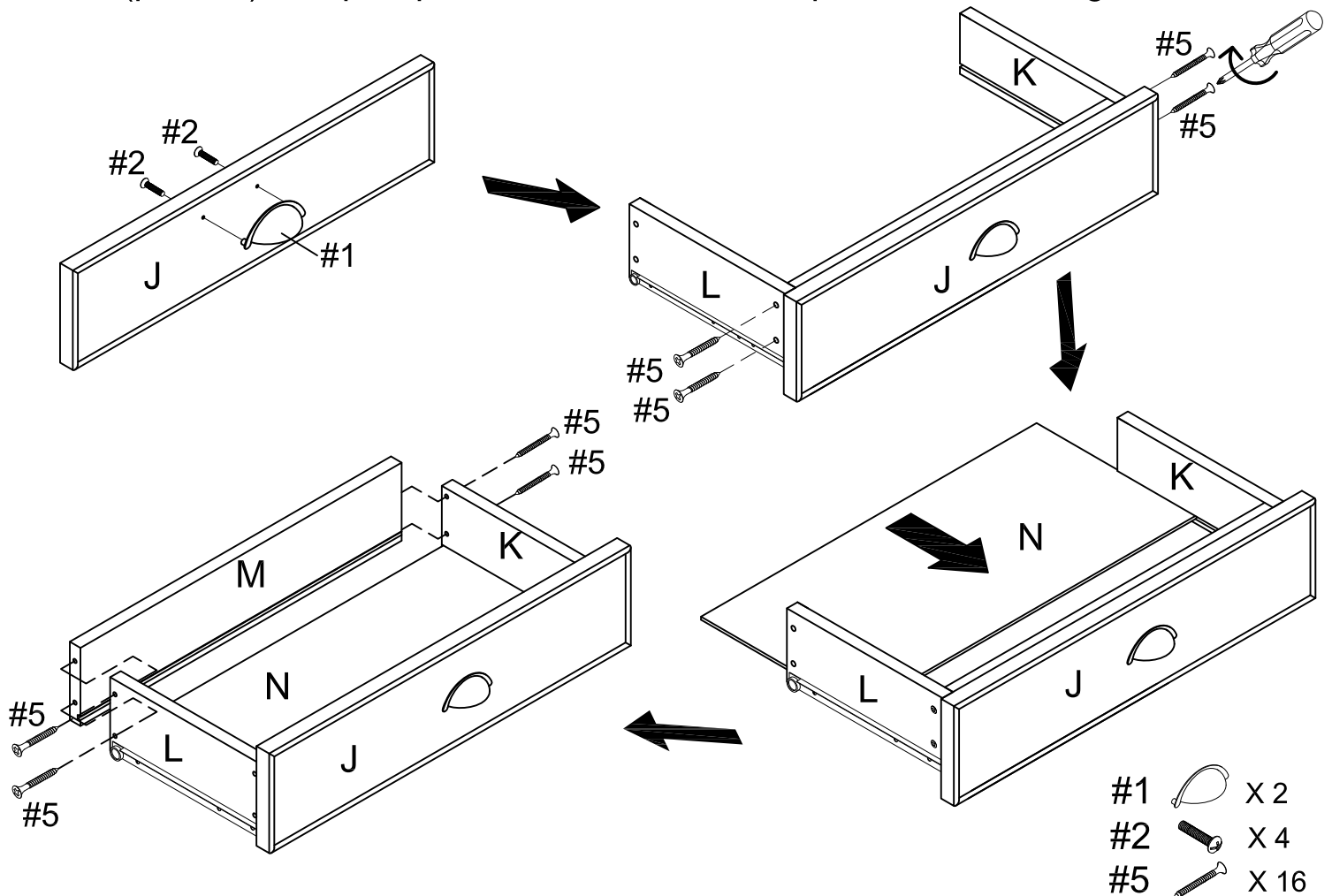
Note: Wood dowels are intended for alignment. Additional clearance between wood dowel and pre-drilled hole is intentional for ease of assembly.

Please do not use tools to assemble this unit unless specifically indicated.

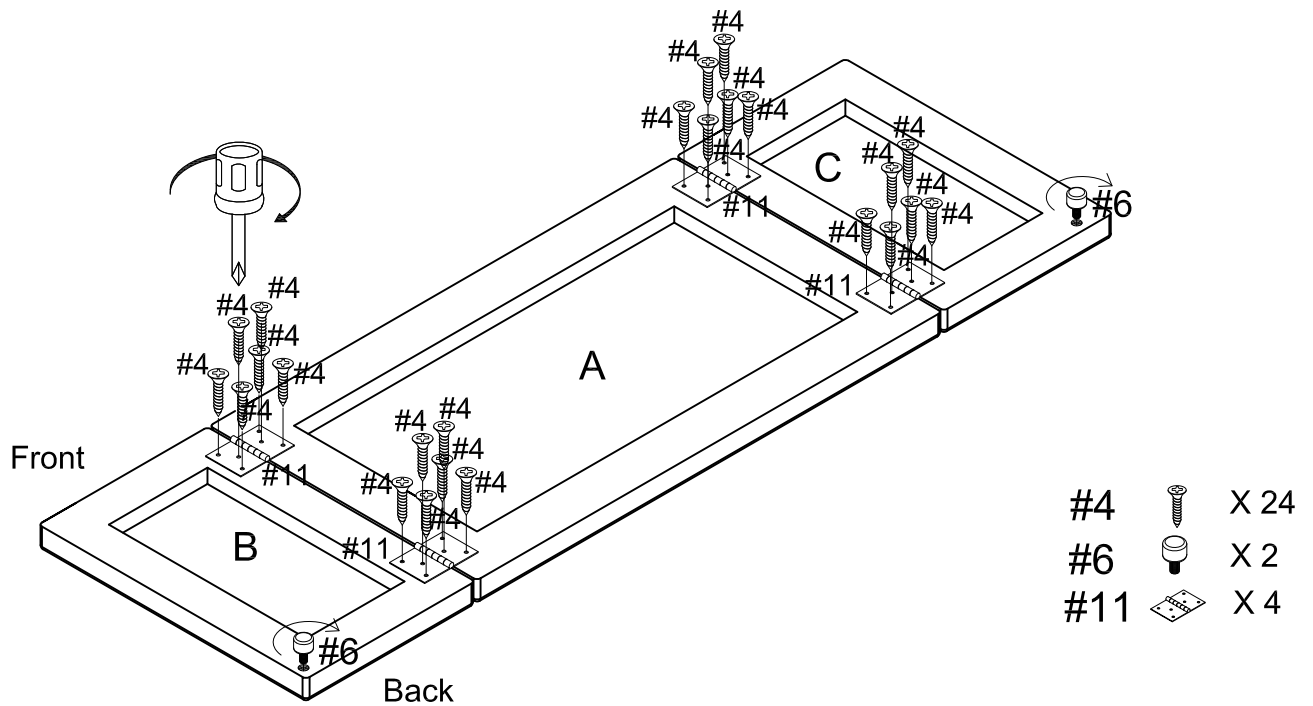


Reference the images above any time the instructions state "lock the hardware".  
Note: Be sure to check all hardware is locked when completed.

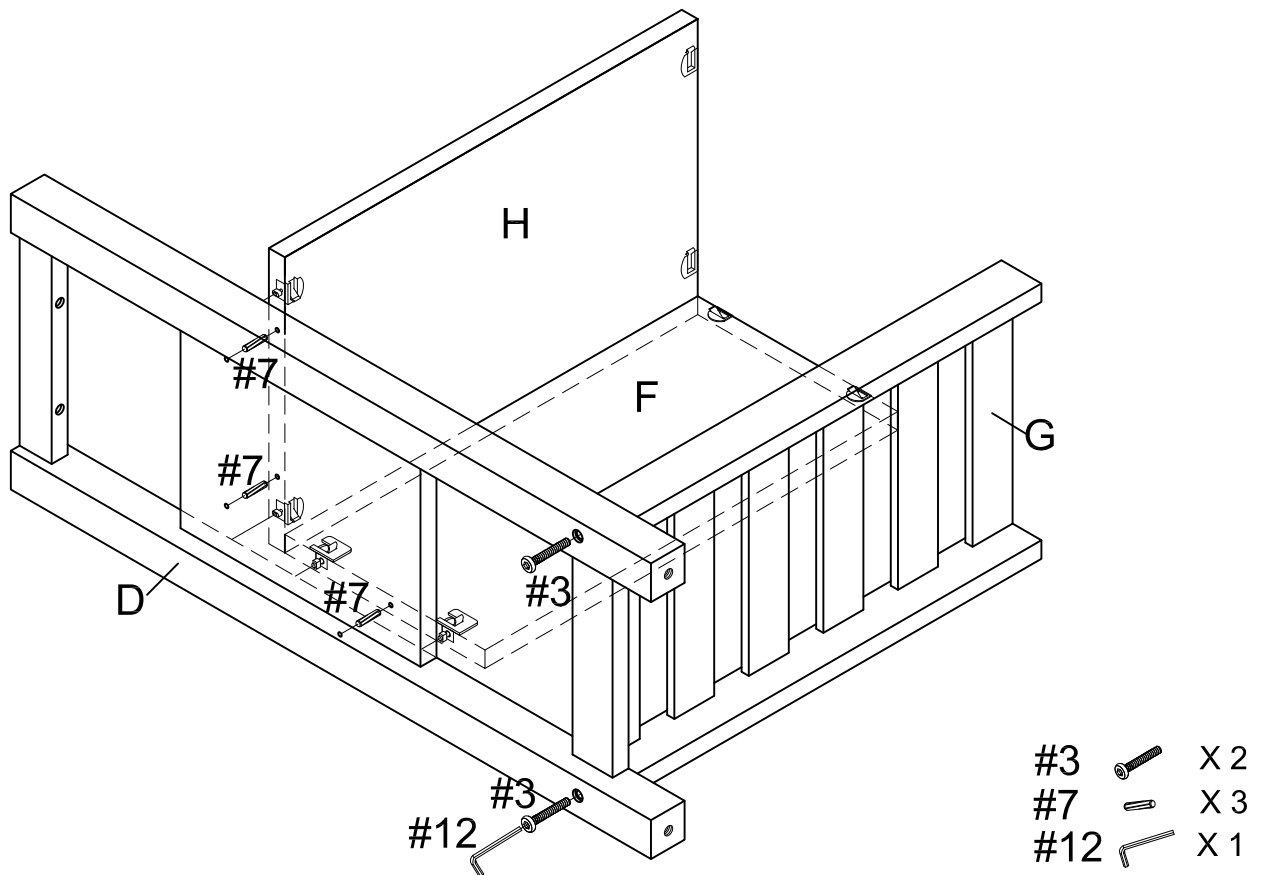
Step 1. Attach handle (part #1) to drawer front panel (part J) using round head bolts (part #2). Attach drawer panels (parts K & L) to drawer front panel (part J) using screws (part #5) and phillips head screwdriver. Slide drawer bottom panel (part N) into grooves of assembled unit (parts J, K & L). Attach drawer back panel (part M) to assembled unit (parts K, L & N) using screws (part #5) and phillips head screwdriver. Repeat for remaining drawer.



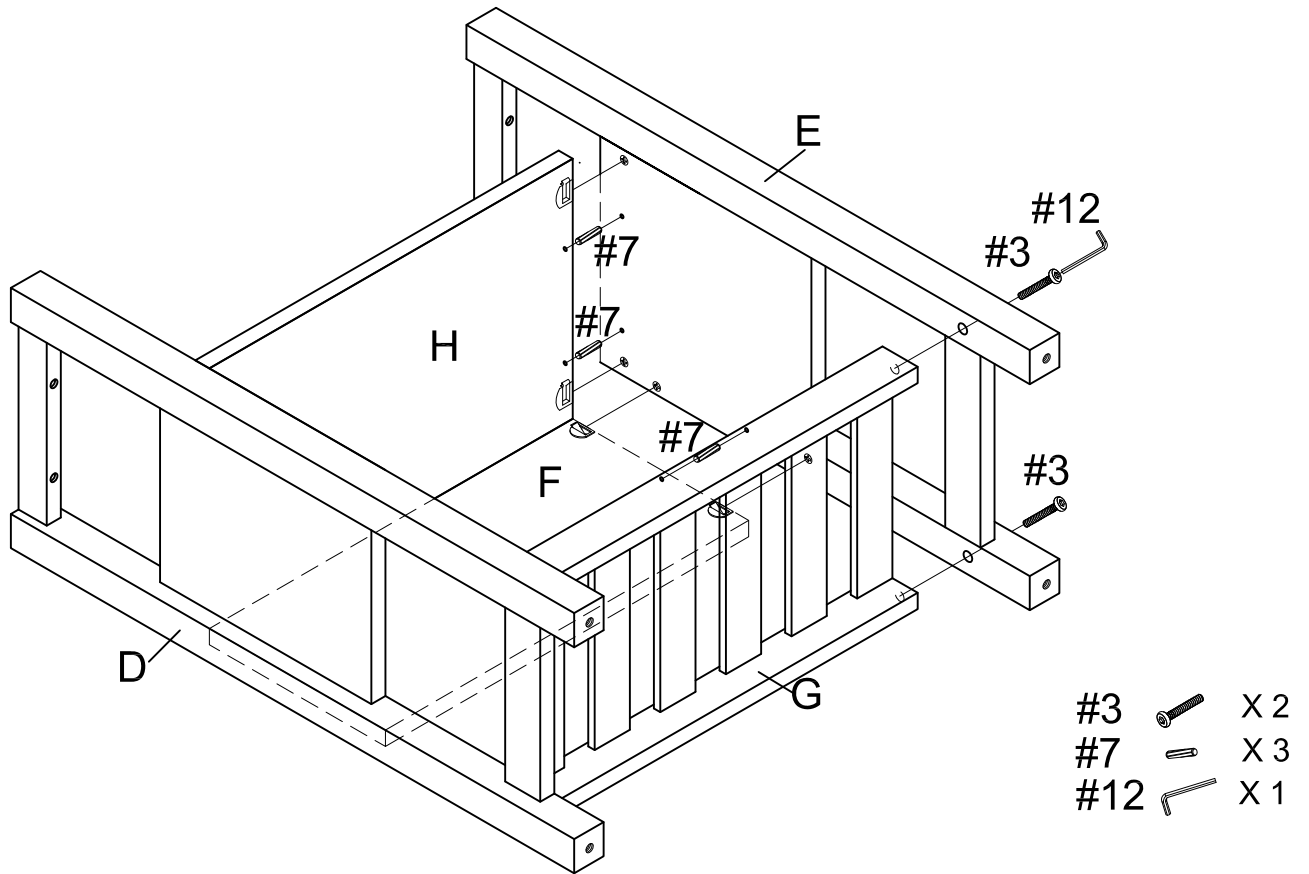
Step 2. Attach left top panel (part B) and right top panel (part C) to top panel (part A) using hinges (part #11), short screws (part #4) and phillips head screwdriver. Attach bumpers (part #6) to top panels (parts B & C).



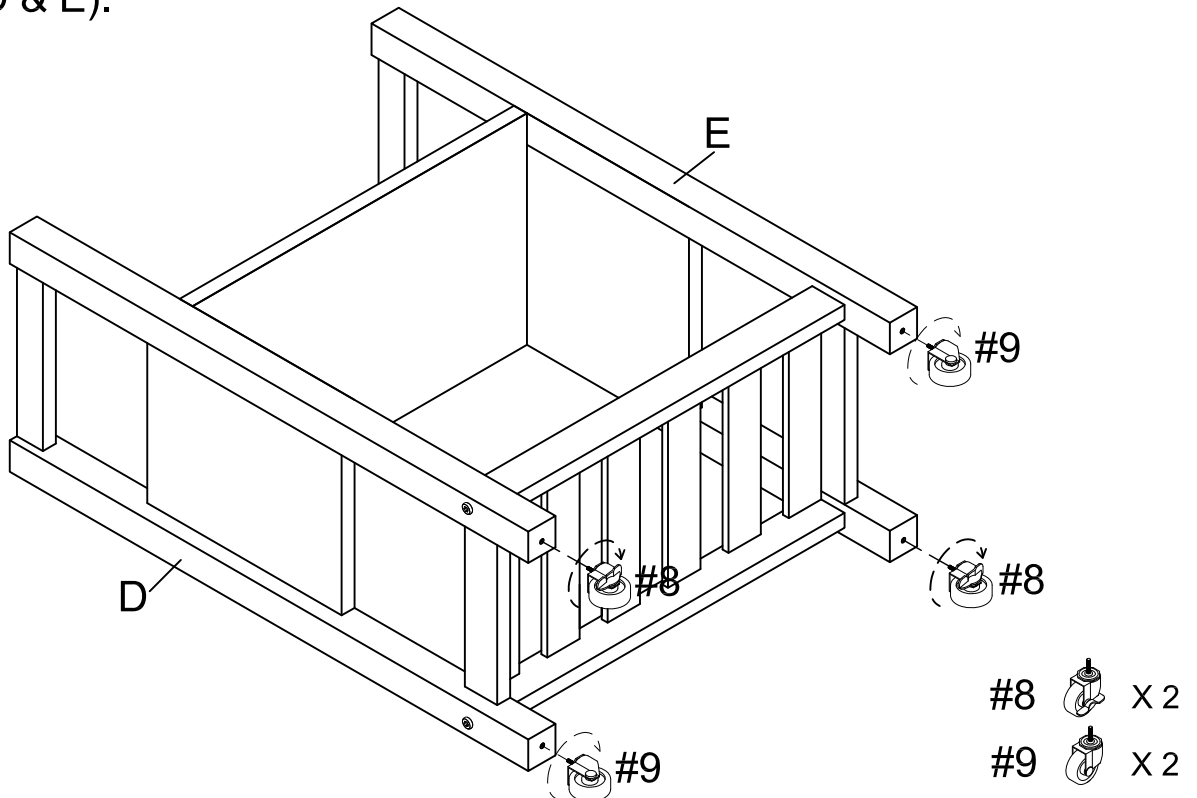
Step 3. Attach left frame (part D) to back panel (part F), bottom frame (part G) and shelf panel (part H) using wood dowels (part #7), bolts (part #3), allen wrench (part #12) and lock the hardware.



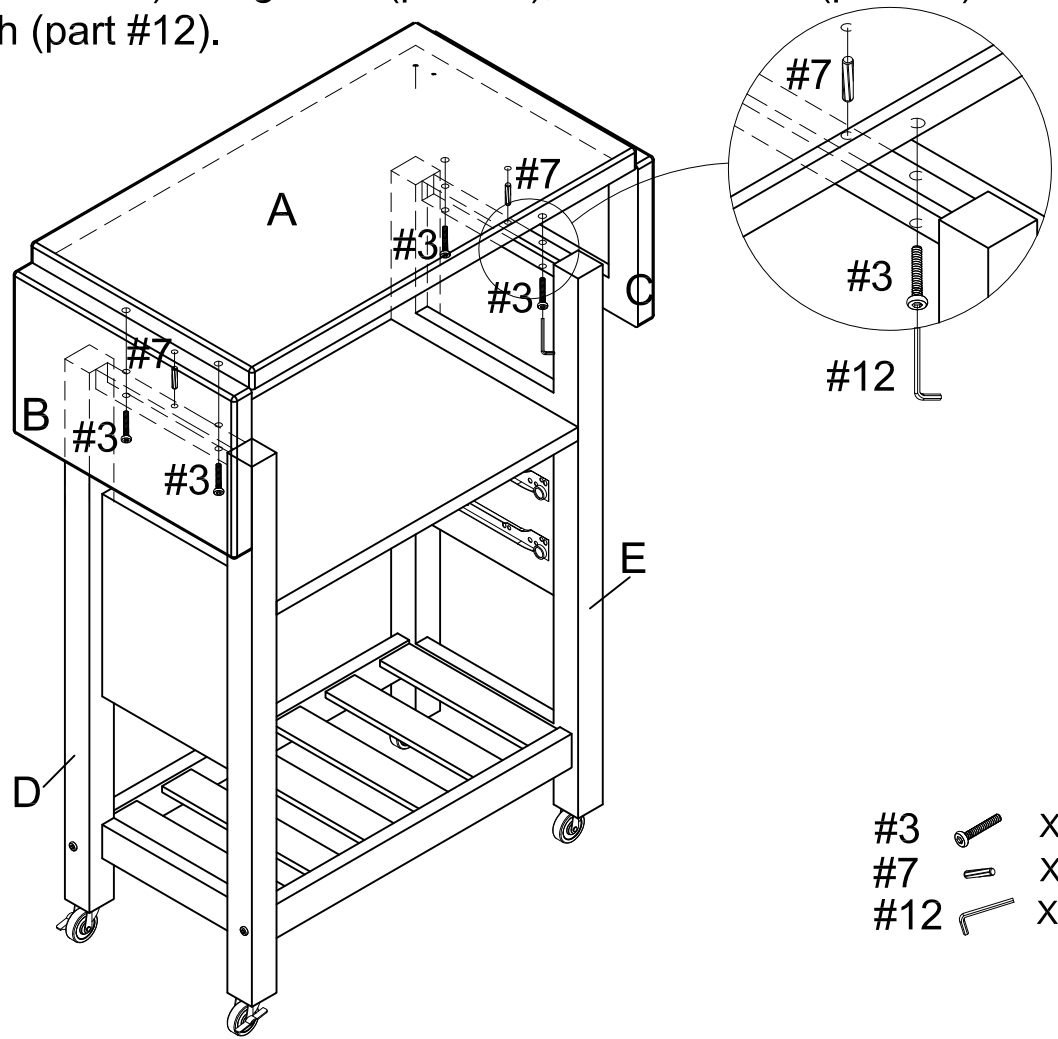
Step 4. Attach right frame (part E) to assembled unit (parts F, G & H ) using wood dowels (part #7), bolts (part #3), allen wrench (part #12) and lock the hardware.



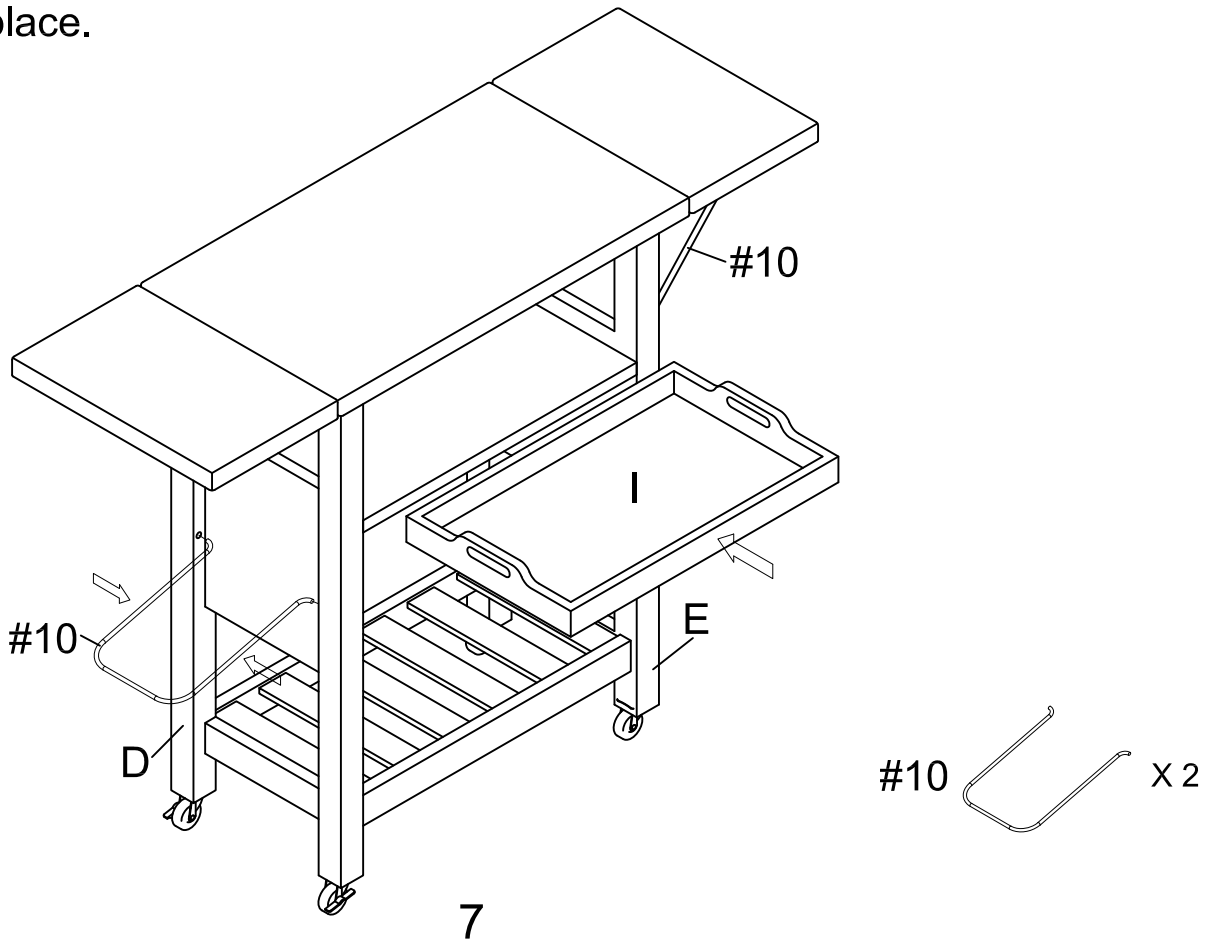
Step 5. Attach locking casters (part #8) and casters (part #9) to frames (parts D & E).



Step 6. Carefully turn unit upright. Attach assembled unit (parts A, B & C) to frames (parts D & E) using bolts (part #3), wood dowels (part #7) and allen wrench (part #12).



Step 7. Attach studdles (part #10) to frames (parts D & E). Place tray (part I) into place.



Step 8. Slide assembled drawers into place.

