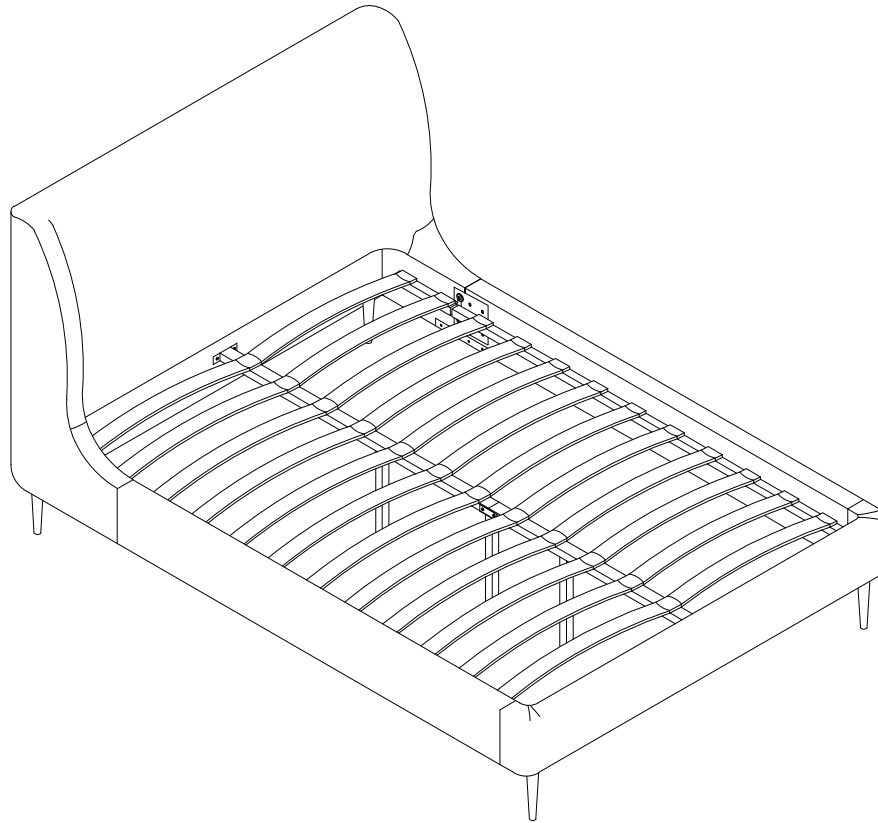


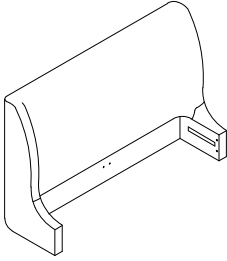
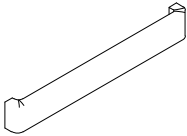
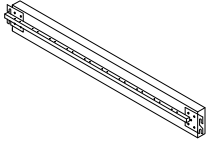
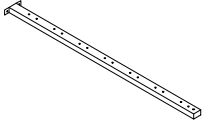
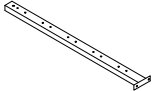
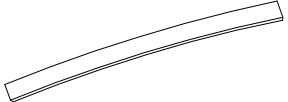


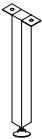
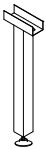
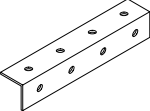
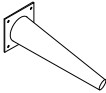
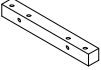
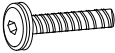






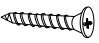
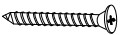
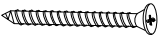
BD003

54" x 75"

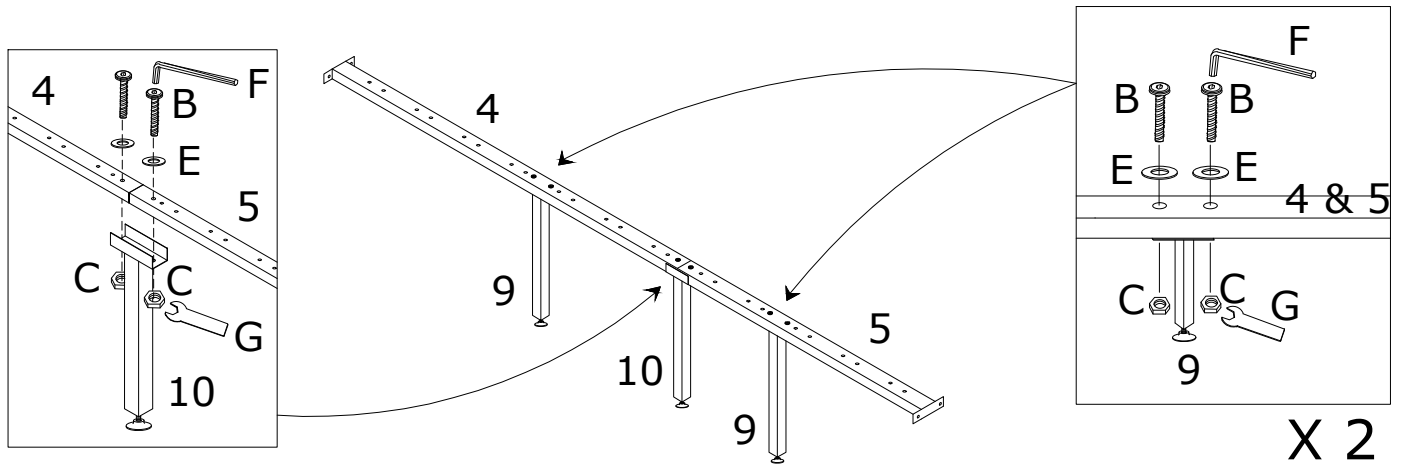


IMPORTANT NOTE

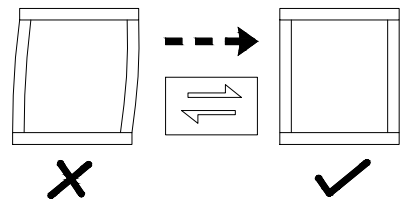
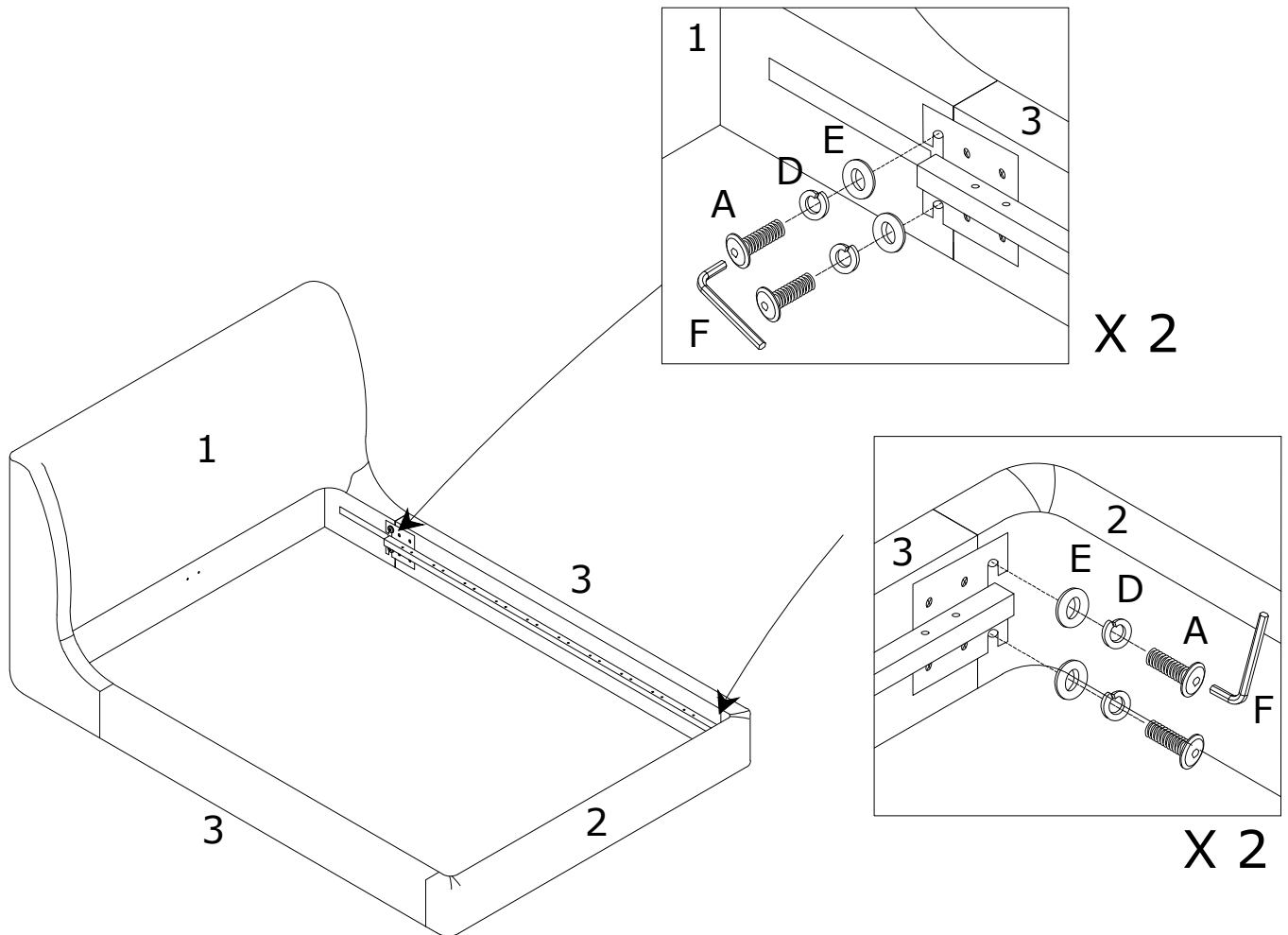
1. PLEASE CHECK THAT ALL PARTS ARE PRESENT BEFORE YOU START THE ASSEMBLY OF YOUR FURNITURE.
2. FOR THE PROTECTION OF YOUR FURNITURE, PLACE ALL PARTS ON A CLEAN AND SMOOTH SURFACE TO PREVENT ANY DAMAGE.
3. DO NOT USE POWER TOOLS TO ASSEMBLE THE BED.
4. PLEASE PERIODICALLY CHECK ALL FITTINGS AND RE-TIGHTEN AS NECESSARY.
5. DO NOT USE THE BED UNLESS ALL BOLTS AND SCREWS ARE FIRMLY SECURED.

| PART LIST | | |
|--|---|---|
| (1)Headboard x 1pc  | (2)Footboard x 1pc  | (3)Crossrail x 2pcs  |
| (4)Centre Support Bar I x 1pc  | (5)Centre Support Bar II x 1pc  | (6)Slat x 24pcs  |
| (7)Double Plastic Cap x 12pcs  | (8)Single Plastic Cap x 24pcs  | (9)Support Leg I x 2pcs  |
| (10)Support Leg II x 1pc  | (11)Connection Metal Bar x 2pcs  | (12)Leg x 4pcs  |
| (13)Metal Support Rail x 2pcs  | | |
| HARDWARE LIST | | |
| (A)Bolt M8 x 25mm x 12pcs  | (B)Bolt M8 x 40mm x 6pcs  | (C)Nut M8 x 13mm x 6pcs  |
| (D)Spring Washer x 8pcs  | (E)Flat Washer x 18pcs  | (F)Allen Key M5 x 1pc  |
| (G)Spanner x 1pc  | (H)Screw M4 x 20mm x 16pcs  | (I)Screw M4 x 35mm x 16pcs  |
| (J)Black Screw M5 x 45mm x 4pcs  | | |

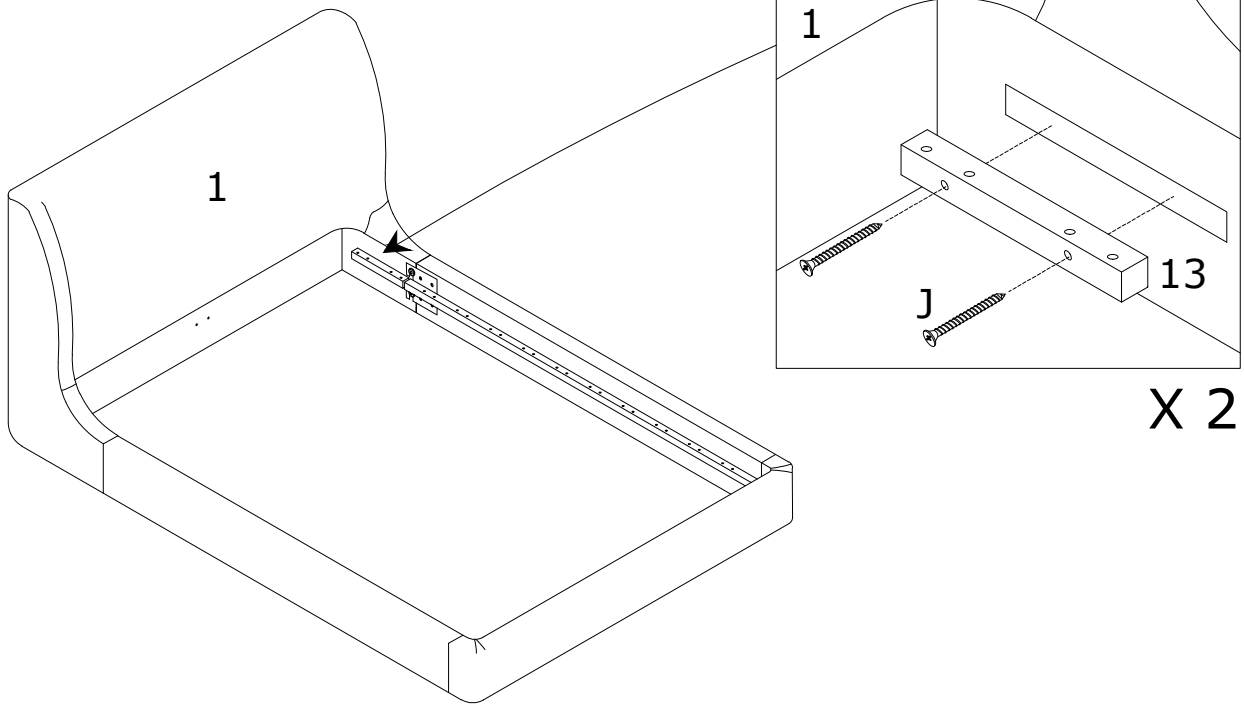
STEP 1



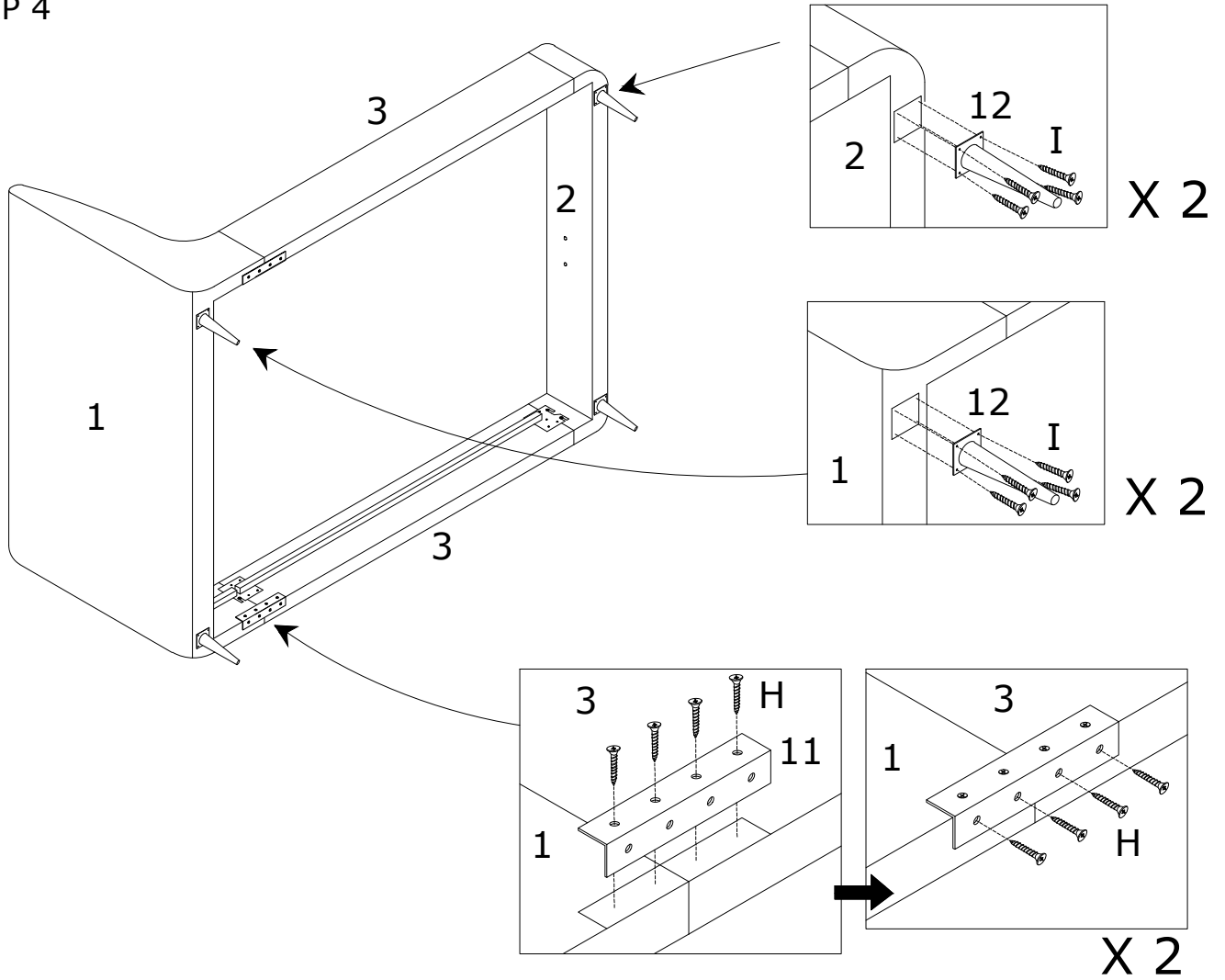
STEP 2



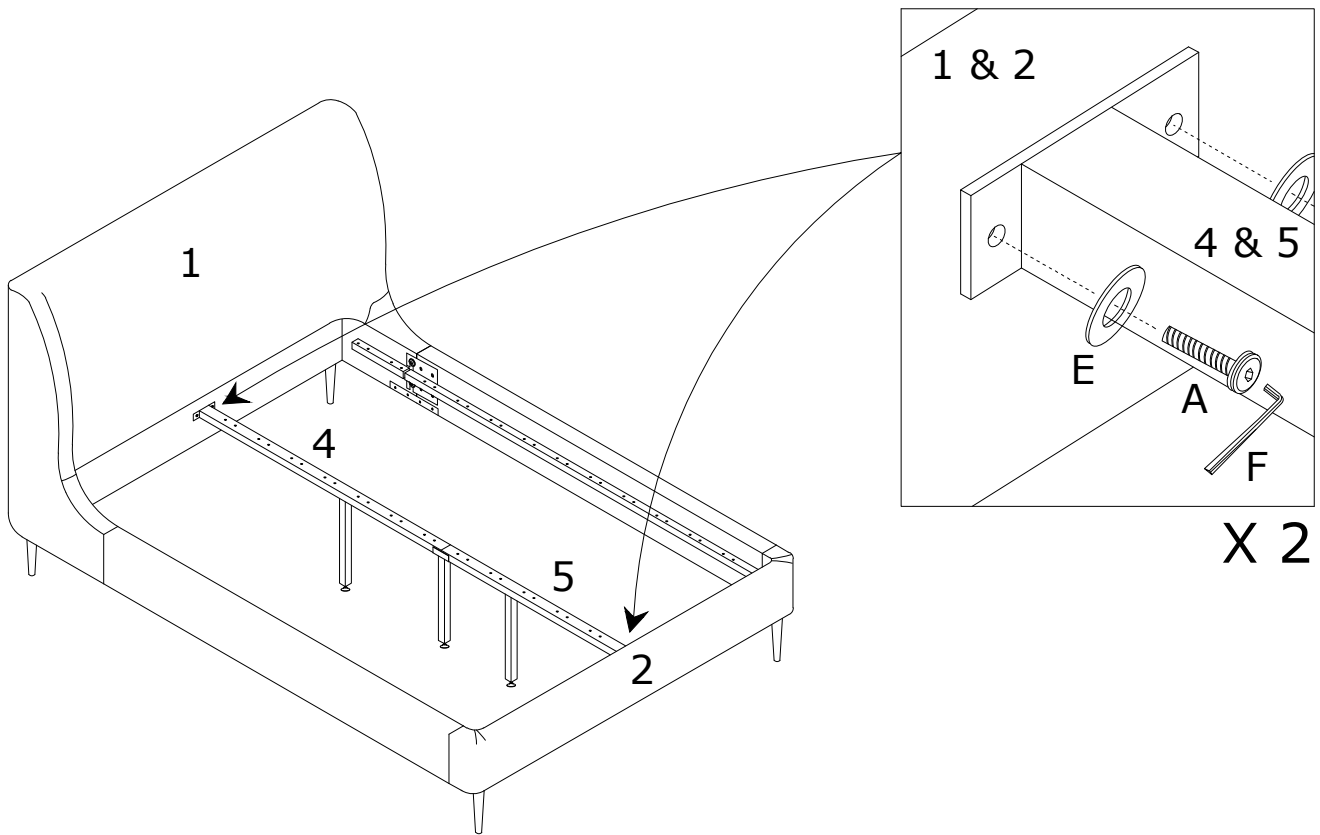
STEP 3



STEP 4



STEP 5



STEP 6

