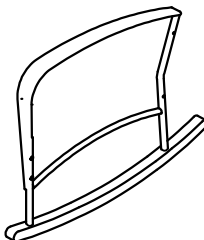
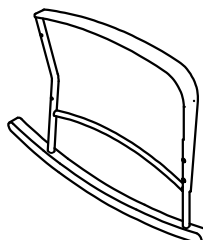
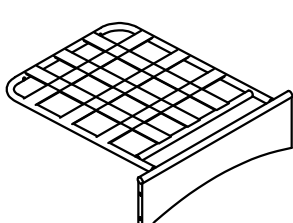
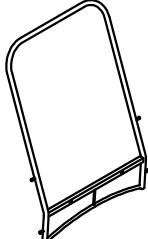



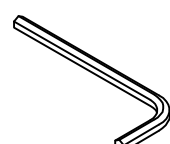

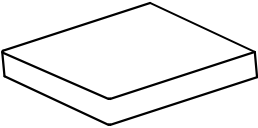
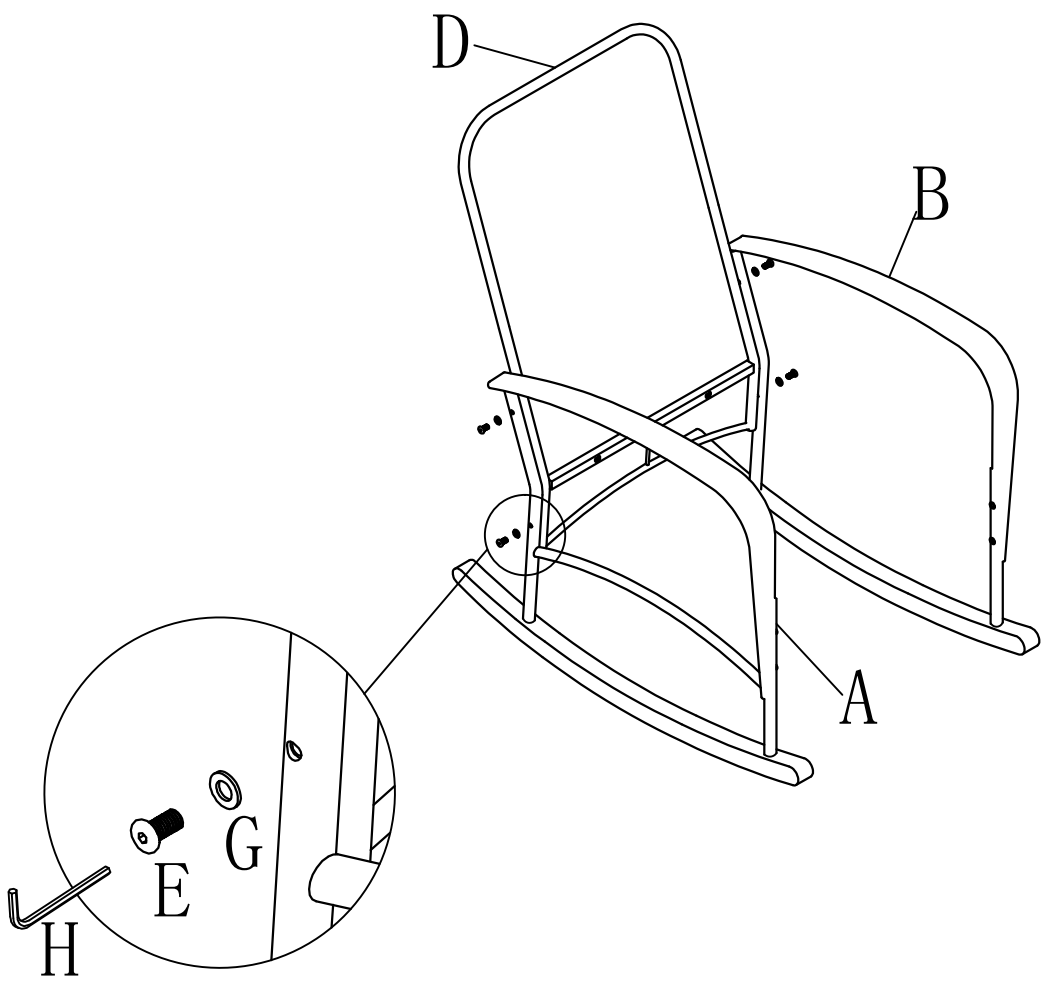
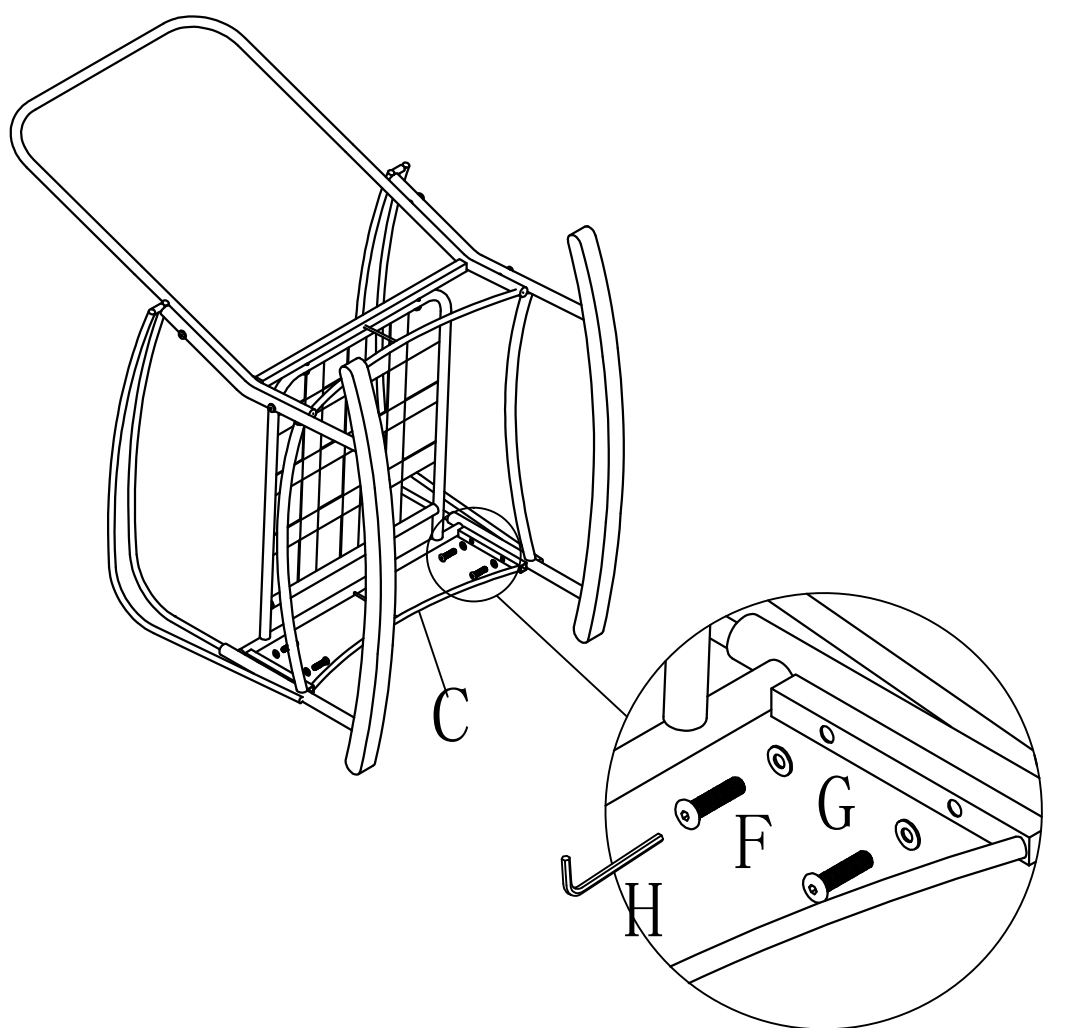


A 	B 	C 	D 	E  M6*15 X4
X1	X1	X1	X1	X4
F  M6*35 X6	G  X10	H  X1	I  X1	J  X1
X6	X10	X1	X1	X1

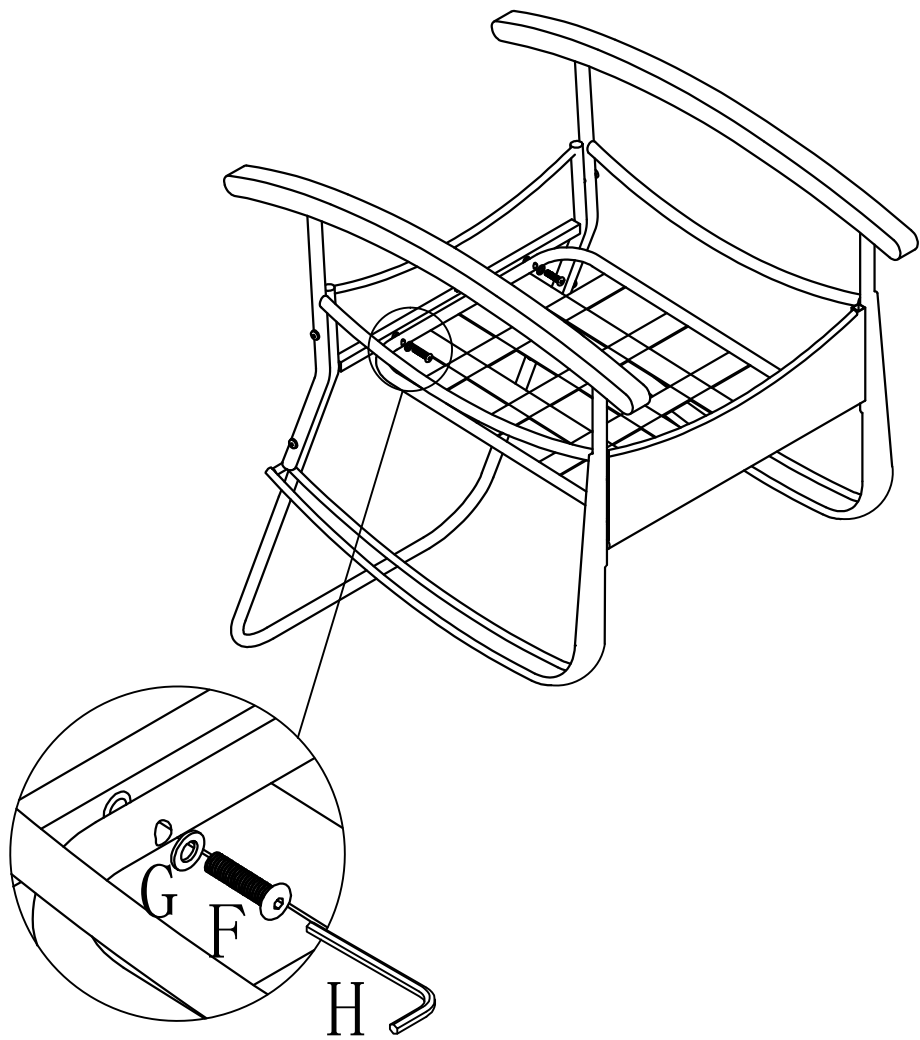
STEP 1



STEP 2



STEP 3



STEP 4

