



MANHATTAN COMFORT

888-230-2225

help@manhattancomfort.com

319 RIDGE RD, DAYTON, NJ08810, NEW JERSEY - UNITED STATES



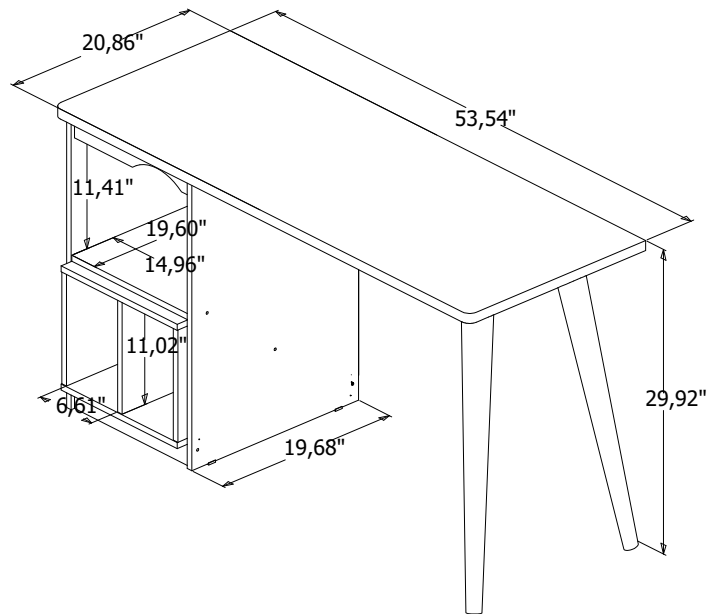
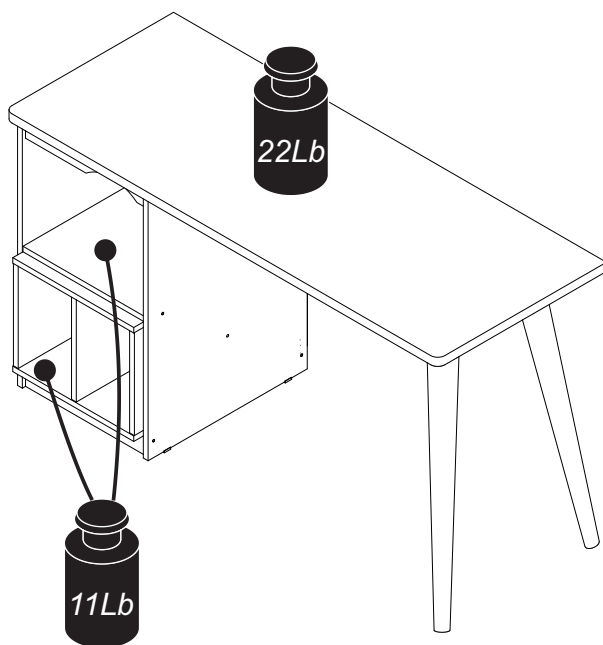
Hampton
home office desk 40.79"

Technical information

Maximum supported weight

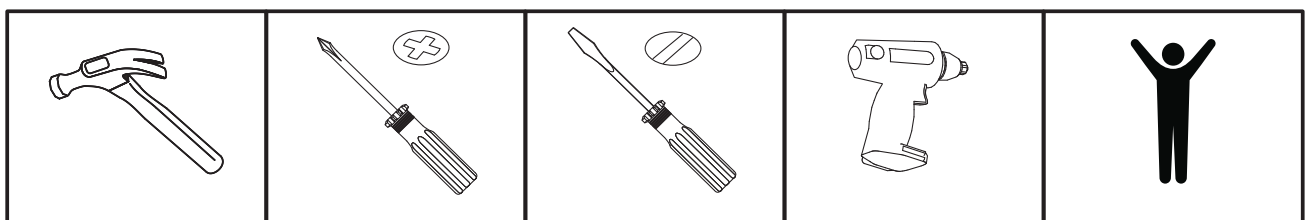
Dimension:

W: 53.54" H: 29.92" D: 20.86"

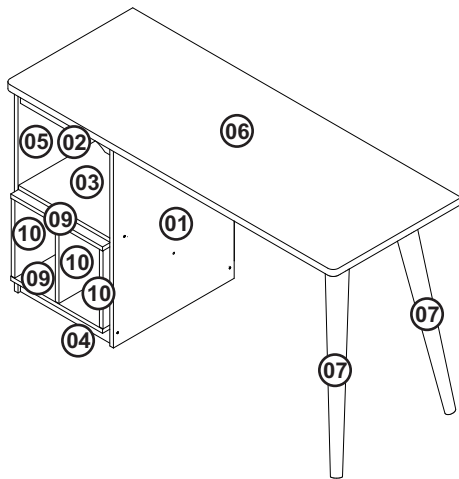


ASSEMBLY VIDEO

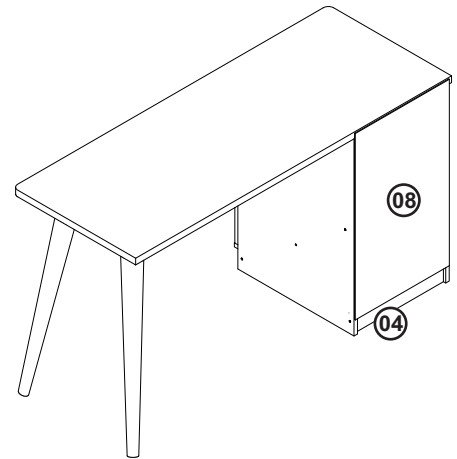
Tools needed (not included)



FRONT VIEW



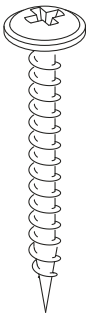
REAR VIEW



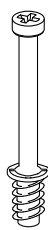
PART	DESCRIPTION	QUANTITY
01	RIGHT SIDE	01
02	FRAME	01
03	SHELF	01
04	CROSSBAR	02
05	LEFT SIDE	01
06	TOP	01
07	FEET	02
08	BACK COVER	01
09	TOP/ BASE OF THE NICHE	02
10	SIDE OF THE NICHE	03

HARDWARE

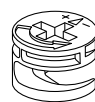
A 22x



B 04x



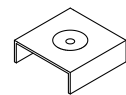
C 04x



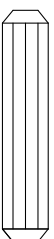
D 04x



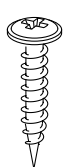
E 04x



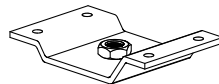
F 06x



G 08x



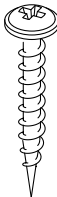
H 02x



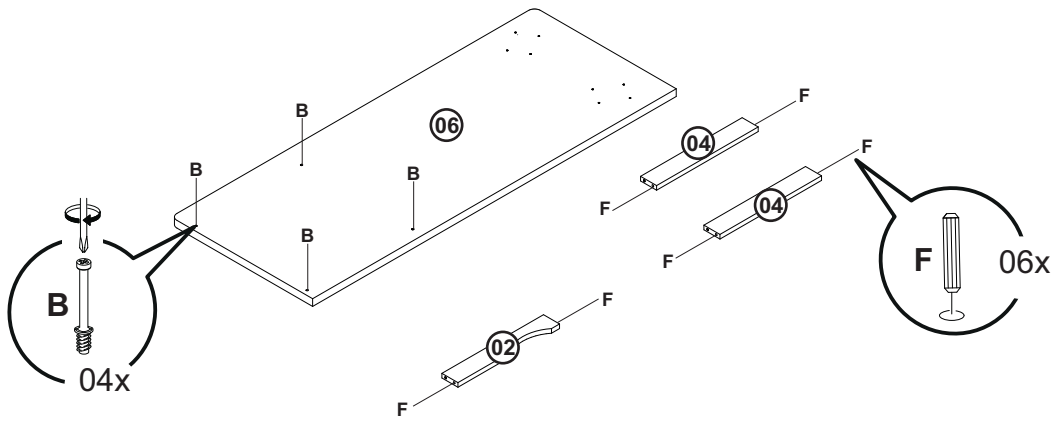
I 18x



J 02x

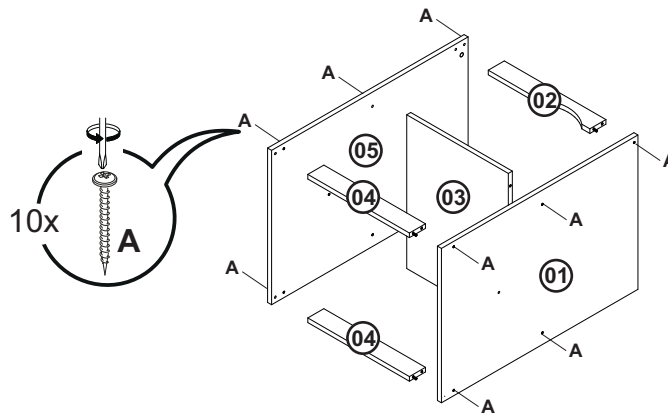


STEP 1



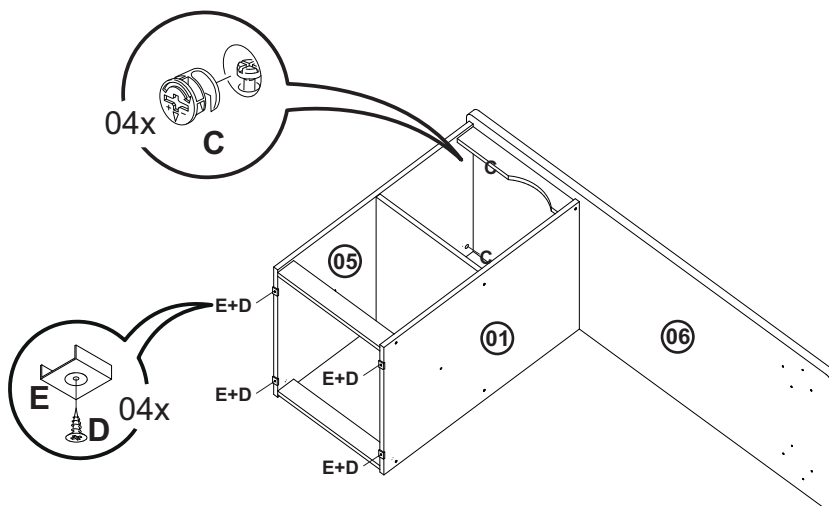
- Insert the hardware (B) in the part (06).
- Insert the hardware (F) in the parts (02, 04).

STEP 2



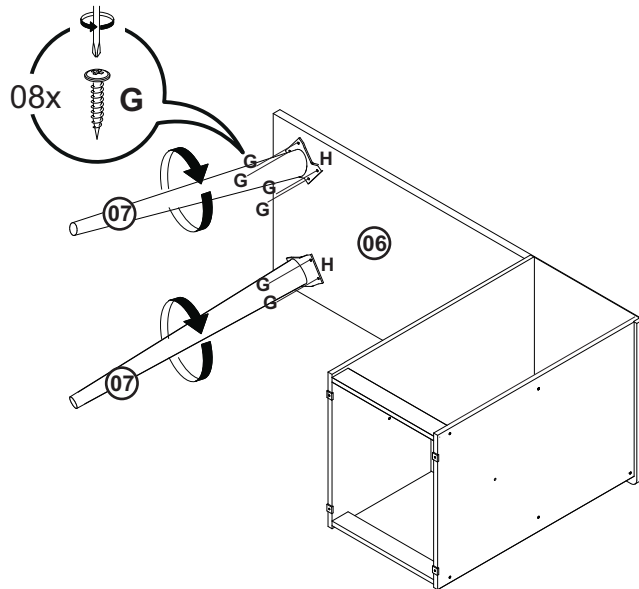
- Connect the parts (01, 02, 03, 04, 05) with the hardware (A).

STEP 3



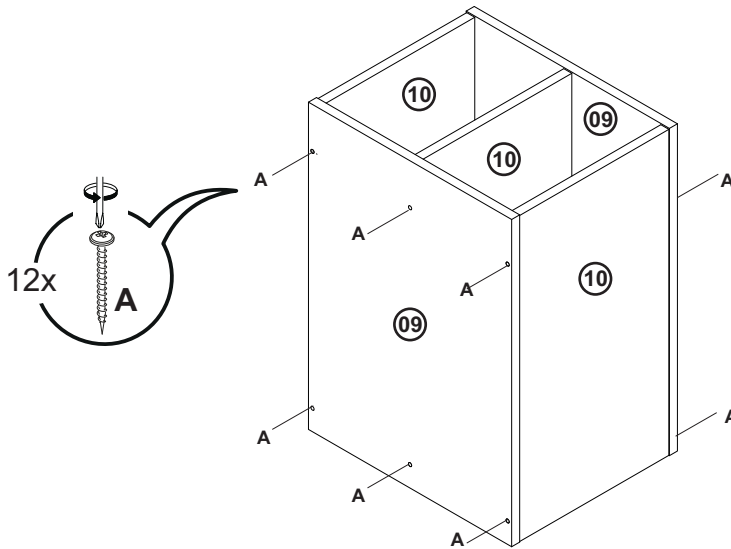
- Connect the parts (01, 05) onto the part (06) with the hardware (C).
- Connect the hardware (E) onto the parts (01, 05) with the hardware (D).

STEP 4



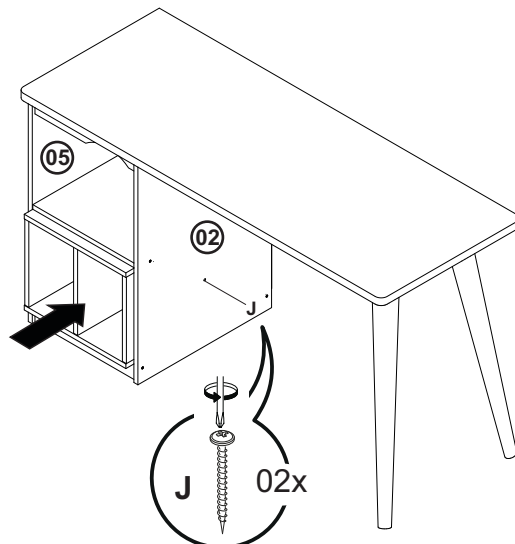
- Connect the hardware (H) under the part (06) with the hardware (G).
- Then, screw the parts (07) into the hardware (H).

STEP 5



- Connect the parts (09, 10) with the hardware (A).

STEP 6



- Connect the niche onto the parts (02, 05) with the hardware (J).