

ASSEMBLY INSTRUCTIONS

Description: Side Chair






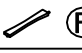

Important safety instructions:

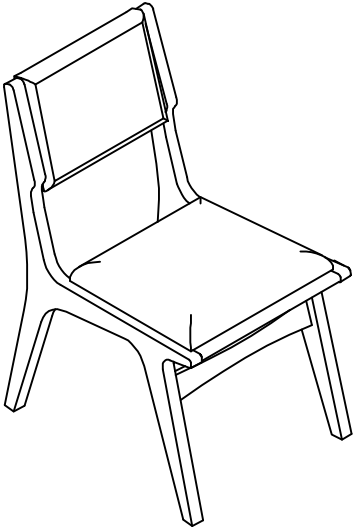
- Please carefully read all instructions before assembling the chair.
- For your safety and ease, assembly by two or more adults is recommended.
- Keep instructions for future use.

Pre-assembly:







- Do not discard any contents until after assembly is complete to avoid accidentally discarding small parts or hardware.
- Remove all parts and hardware from box along with any plastic protective packaging.

Parts List

Item	Description	QTY
A	Right leg 	1
B	Left leg 	1
C	Seat Cushion 	1
D	Back Cushion 	1
E	Front Rail 	1
F	Front Stretcher 	1
G	Back Stretcher 	1

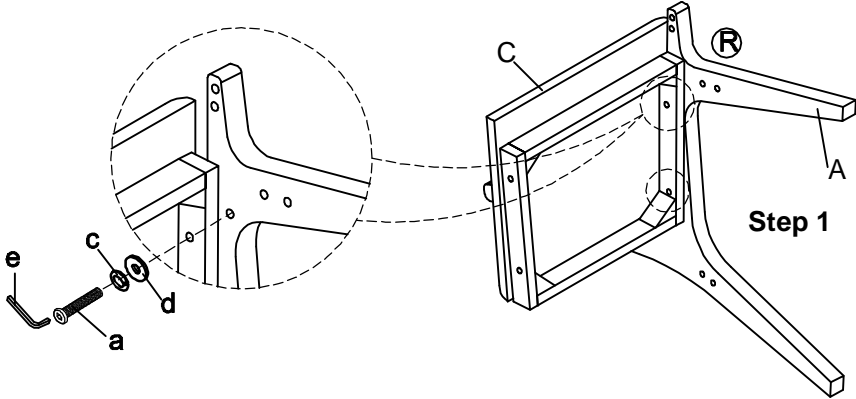


Hardware List

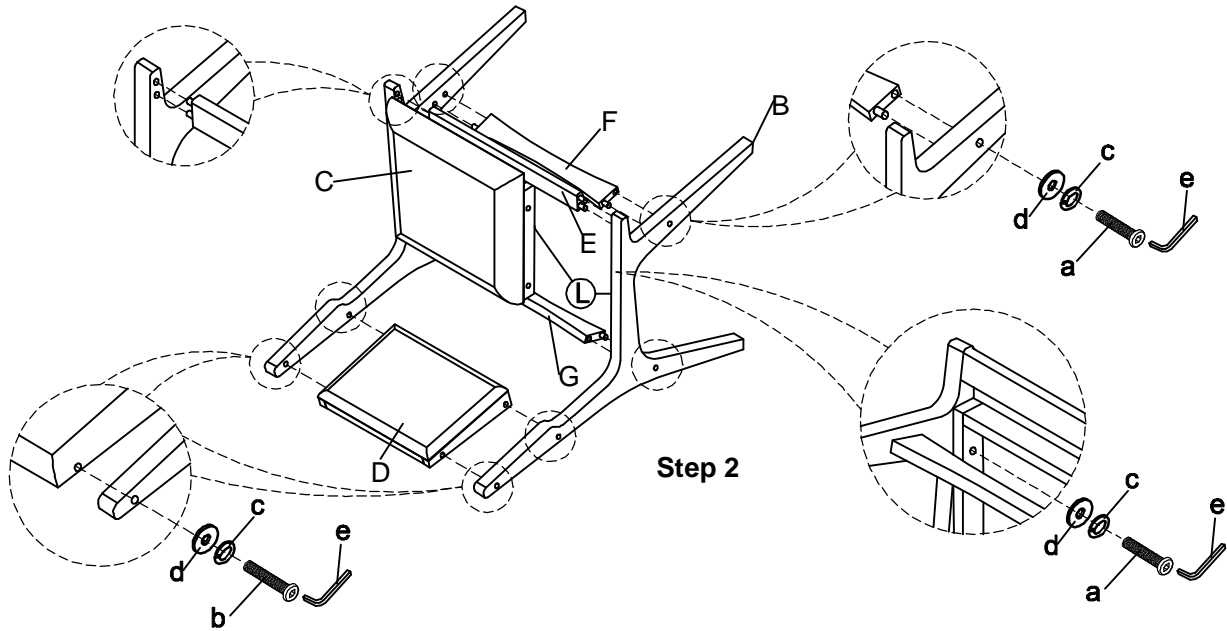
Item	Description	QTY
a	Long Bolt Ø1/4"x1-1/2" 	8
b	Long Bolt Ø1/4"x2" 	4
c	Spring Washer 1/4" 	12
d	Flat Washer 1/4" 	12
e	Allen Wrench 1/4" 	1
f	Wood Plug 	8

Assembly Procedures:

Step 1. Assemble the chair on a flat, soft surface such as a carpet or cloth to prevent scratching the finish. Attach the leg (A) to the cabinet (A) using long bolts (a), lock washers (c) and flat washers (d). Loosely tighten by Allen wrench (e).

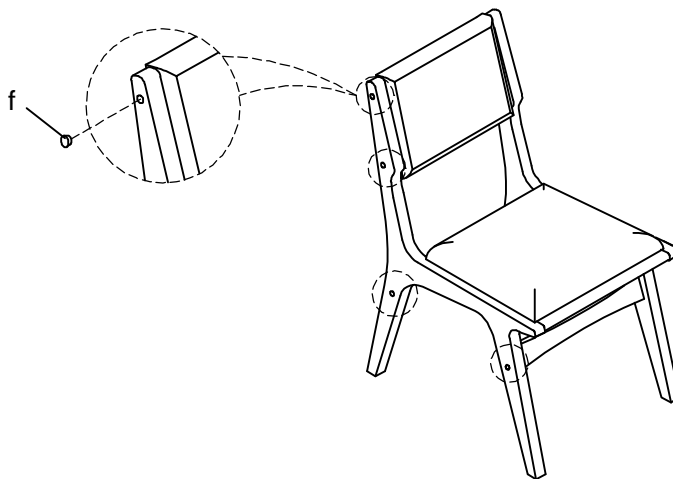


Step 2. Insert the dowels on the end of front rail (E) and stretcher (F & G) into the hole on right leg (A) , then attach left leg (B) to the stretchers (F & G) and the seat cushion (C) using long bolts (a), lock washer (c) and flat washer (d). then attach left leg (B) to the back cushion (D) using long bolts (b), lock washer (c) and flat washer (d). Loosely tighten by Allen wrench (e).



Step 2

Step 3. Turn the assembled chair to a upright position. Securely tighten all bolts by Allen wrench (e), but do not over tighten the bolts. Then attach wooden plug (f) to each bolt hole, tighten with Rubber hammer to knock the wooden plug till its tighten. Note : use a soft cloth between the wooden plug and hammer to prevent damage to wooden plug finish.



Step 4

Step 4. Assembly are complete. Failure to follow these instructions may cause the bolts to misalign during assembly.

ADDITIONAL NOTE ABOUT SAFETY: BOLTS MAY LOOSEN DURING NORMAL EVERYDAY USE. THEY SHOULD BE PERIODICALLY INSPECTED AND RE-TIGHTENED TO PREVENT DAMAGE OR INJURY. ALWAYS CHECK TO BE SURE THAT ALL HARDWARE IS KEPT TIGHTENED.

Thank you for you purchase