

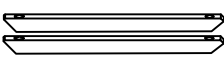







Assembly Instruction for DINNING TABLE DCS100DT

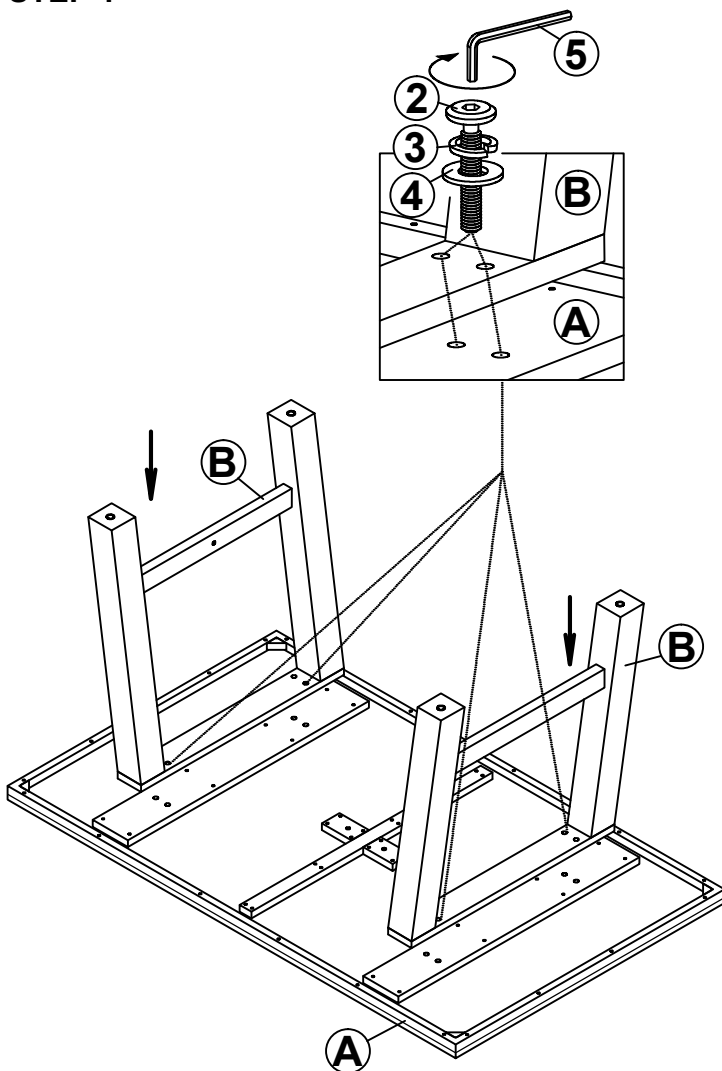
Caution: Please read instructions thoroughly before unpacking assembly parts. Sharp, exposed staple tips can cause injury, therefore, for your protection, please remove any exposed staples used in packing.

1. We recommend that you should assemble this product with the assistance of another person; this will make assembly easier, and will help to eliminate damage the product or injury to persoms during assembly.
2. Be sure to check all packing materials carefully for small parts that may have come loose inside the carton during shipment.
3. Please do not over tighten screws or bolts.
4. Please put all parts on a non-abrasive floor before assembly, and follow the assembly steps to assemble your newly purchased product correctly and efficiently.

PART LIST			
No.	PART DESC.	CODE.	Q'Ty
A	 Dining Table Top		1 pc
B	 Dining Table Legs Frame	DTLEG	2 pcs
C	 Dining Table Set L/R Side Stretcher	DTSTR	2 pcs

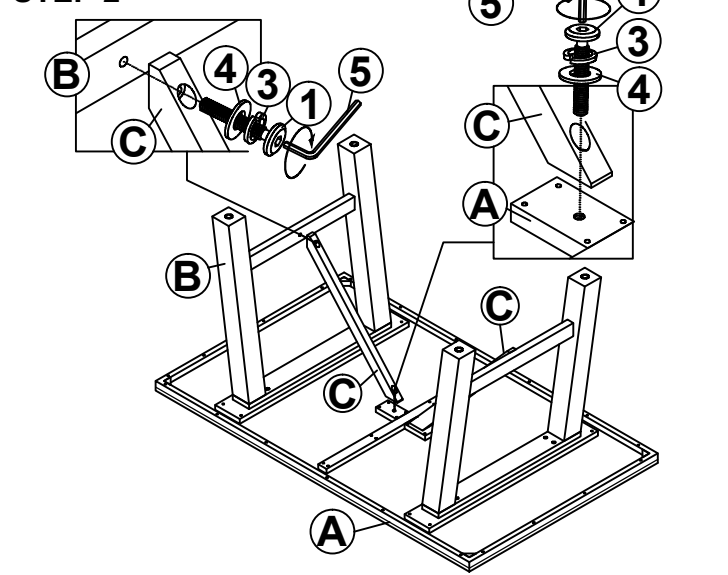
HARDWARE LIST			
No.	HARDWARE DESC.	CODE.	Q'Ty
1	 Screw $\phi \times L \times A: \frac{1}{4}'' \times 45 \text{ mm}$	DTHW	4 pcs
2	 Screw $\phi \times L \times A: \frac{1}{4}'' \times 40 \text{ mm}$		8 pcs
3	 Washer $\phi \times A: \frac{5}{16}'' \times 13 \text{ mm}$		12 pcs
4	 Washer $\phi \times A: \frac{5}{16}'' \times 19 \text{ mm}$		12 pcs
5	 Allen Key 4 mm		1 pc

STEP 1

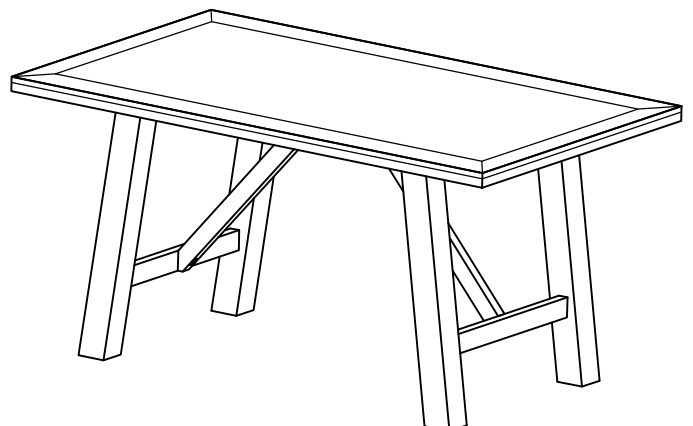


* Note: Do not fully tighten Bolts until Step 2

STEP 2





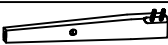



COMPLETE


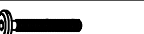



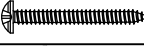




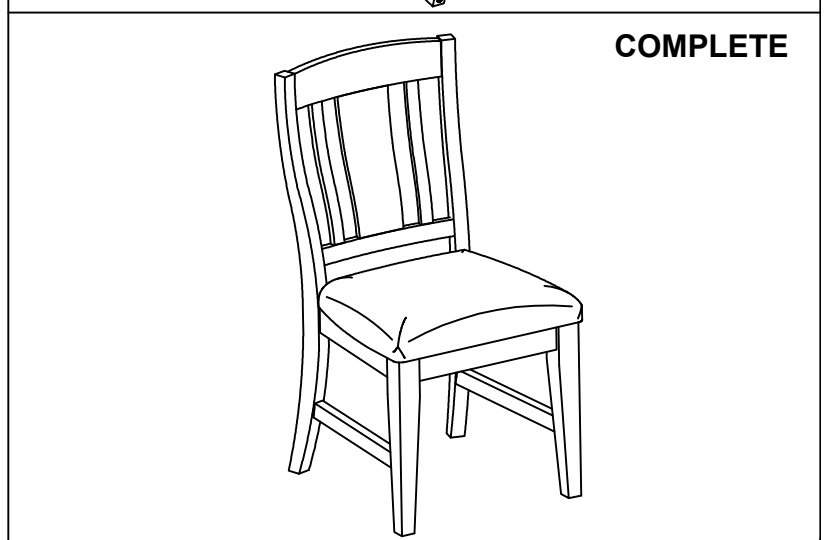
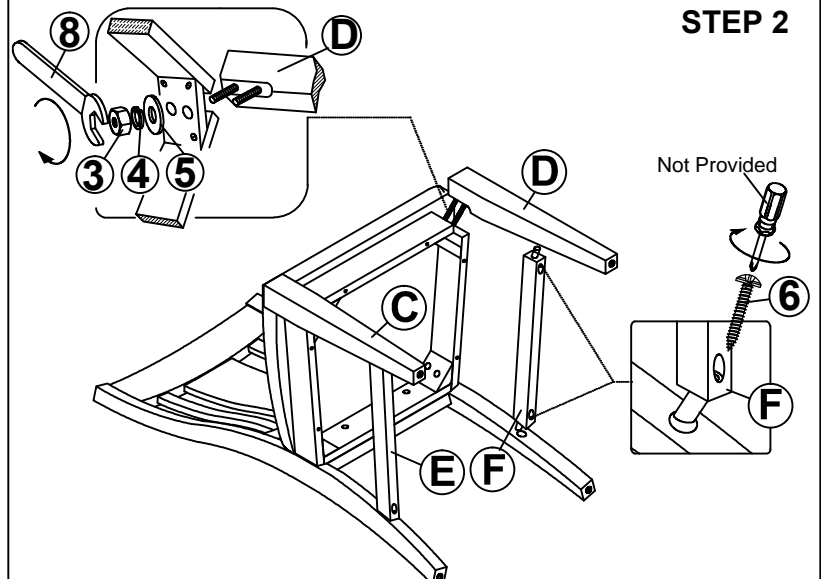
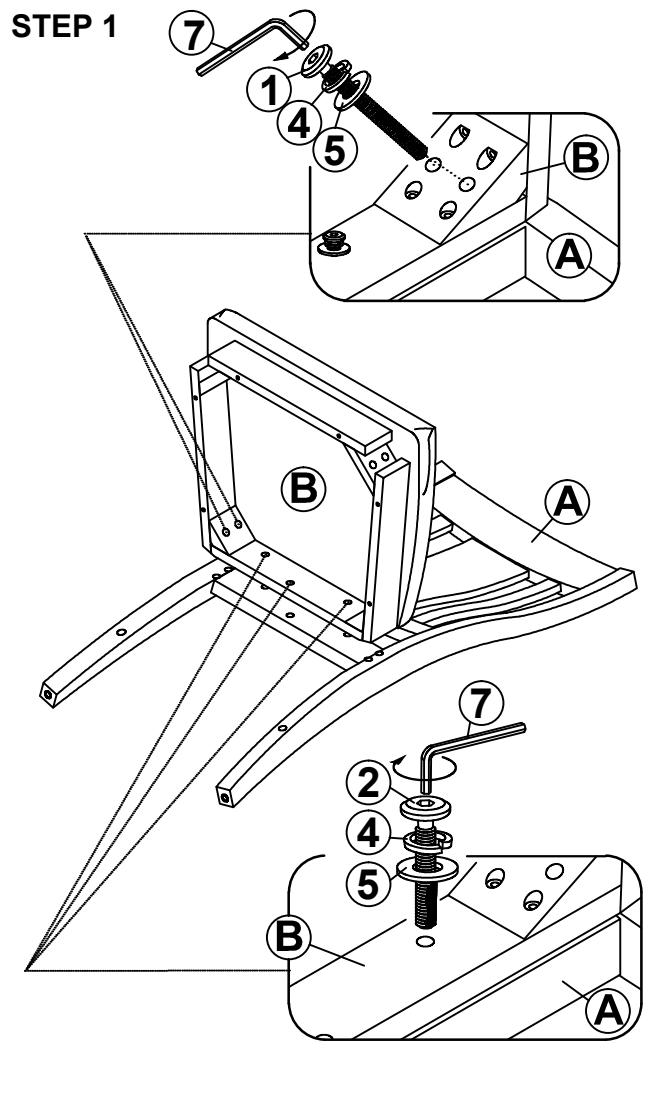
Assembly Instruction for SIDE CHAIR DCS100SC

Caution: Please read instructions thoroughly before unpacking assembly parts. Sharp, exposed staple tips can cause injury, therefore, for your protection, please remove any exposed staples used in packing.

1. We recommend that you should assemble this product with the assistance of another person; this will make assembly easier, and will help to eliminate damage the product or injury to persons during assembly.
2. Be sure to check all packing materials carefully for small parts that may have come loose inside the carton during shipment.
3. Please do not over tighten screws or bolts.
4. Please put all parts on a non-abrasive floor before assembly, and follow the assembly steps to assemble your newly purchased product correctly and efficiently.

PART LIST			
No.	PART DESC.	CODE.	Q'Ty
A	 SIDE CHAIR BACK FRAME	SCBFR	1 pc
B	 SIDE CHAIR SEAT FRAME WITH CUSHION	SCSEA	1 pc
C	 LEFT FRONT LEG	SCLRS	1 pc
D	 RIGHT FRONT LEG	SCLRS	1 pc
E	 LEFT SIDE STICKER STICK UNDER STRETCHER	SCLRS	1 pc
F	 RIGHT SIDE STICKER STICK UNDER STRETCHER	SCLRS	1 pc

HARDWARE LIST			
No.	HARDWARE DESC.	CODE.	Q'Ty
1	 1/4" x 75 mm		4 pcs
2	 1/4" x 40 mm		3 pcs
3	 5/16" x 12 mm		4 pcs
4	 5/16" x 13 mm		11 pcs
5	 5/16" x 19 mm	SCHW	11 pcs
6	 1/4" x 40 mm		4 pcs
7	 Allen Key 4 mm		1 pc
8	 Wrench 12 mm		1 pc



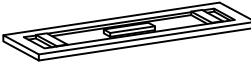
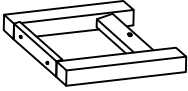
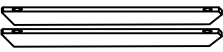
Assembly Instruction for





BENCH

DCS100BN

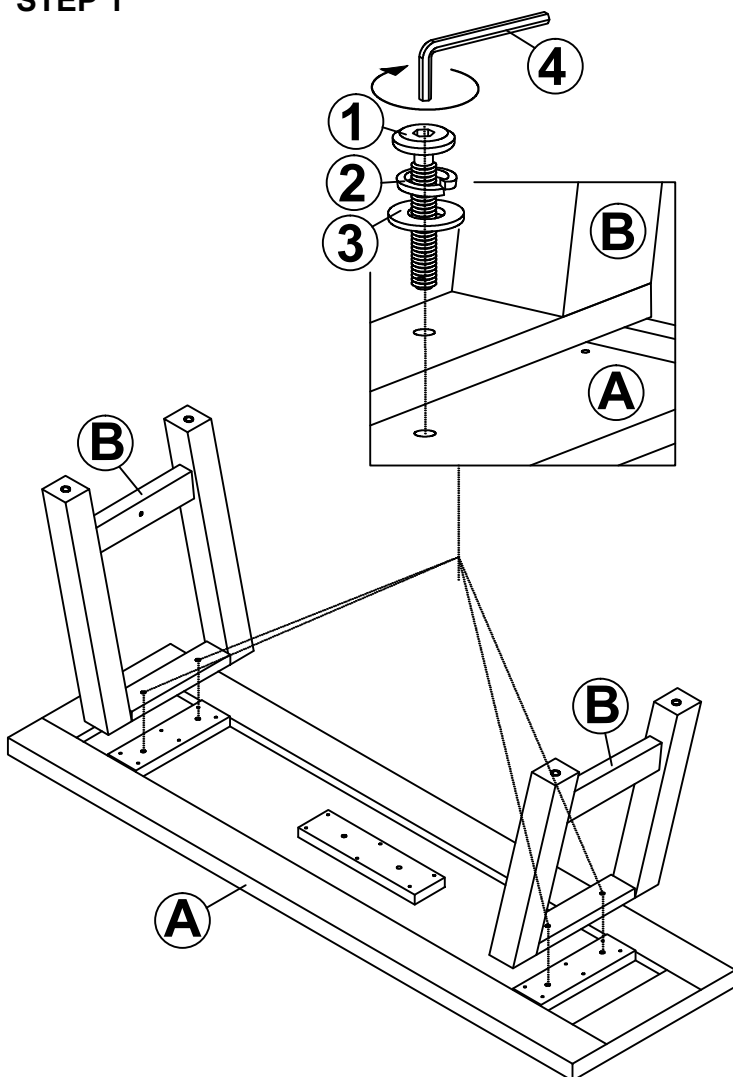
Caution: Please read instructions thoroughly before unpacking assembly parts. Sharp, exposed staple tips can cause injury, therefore, for your protection, please remove any exposed staples used in packing.

1. We recommend that you should assemble this product with the assistance of another person; this will make assembly easier, and will help to eliminate damage the product or injury to persoms during assembly.
2. Be sure to check all packing materials carefully for small parts that may have come loose inside the carton during shipment.
3. Please do not over tighten screws or bolts.
4. Please put all parts on a non-abrasive floor before assembly, and follow the assembly steps to assemble your newly purchased product correctly and efficiently.

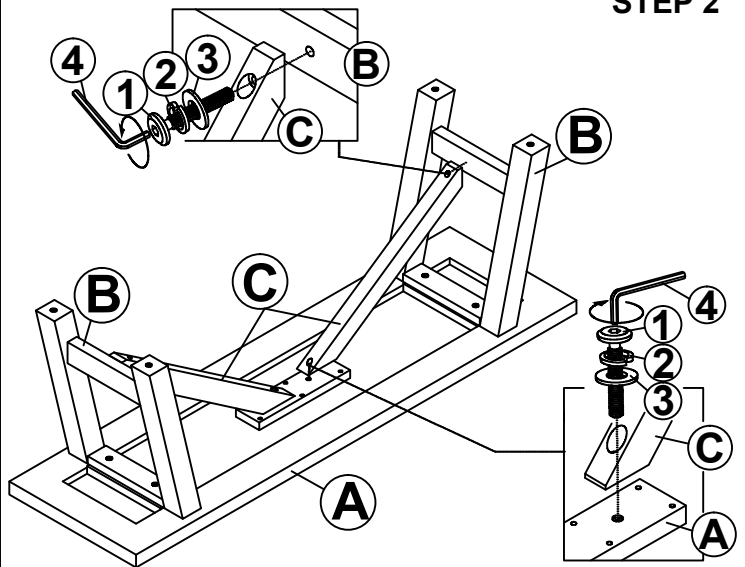
PART LIST			
No.	PART DESC.	CODE.	Q'Ty
A	 Bench Seat Frame		1 pc
B	 Bench Leg	BNLEG	2 pcs
C	 Bench Stretcher	BNSTR	2 pcs

HARDWARE LIST			
No.	HARDWARE DESC.	CODE.	Q'Ty
1	 Screw $\phi \times L \times \frac{1}{4}" \times 40 \text{ mm}$	BNHW	8 pcs
2	 Washer $\phi \times \frac{1}{16}" \times 13 \text{ mm}$		8 pcs
3	 Washer $\phi \times \frac{1}{16}" \times 19 \text{ mm}$		8 pcs
4	 Allen Key 4 mm		1 pc

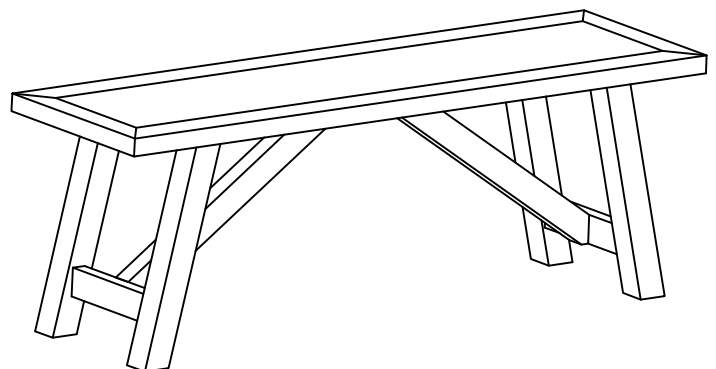
STEP 1



STEP 2



COMPLETE

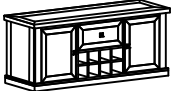

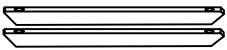







* Note: Do not fully tighten Bolts until Step 2

Assembly Instruction for SERVER DCS100SV

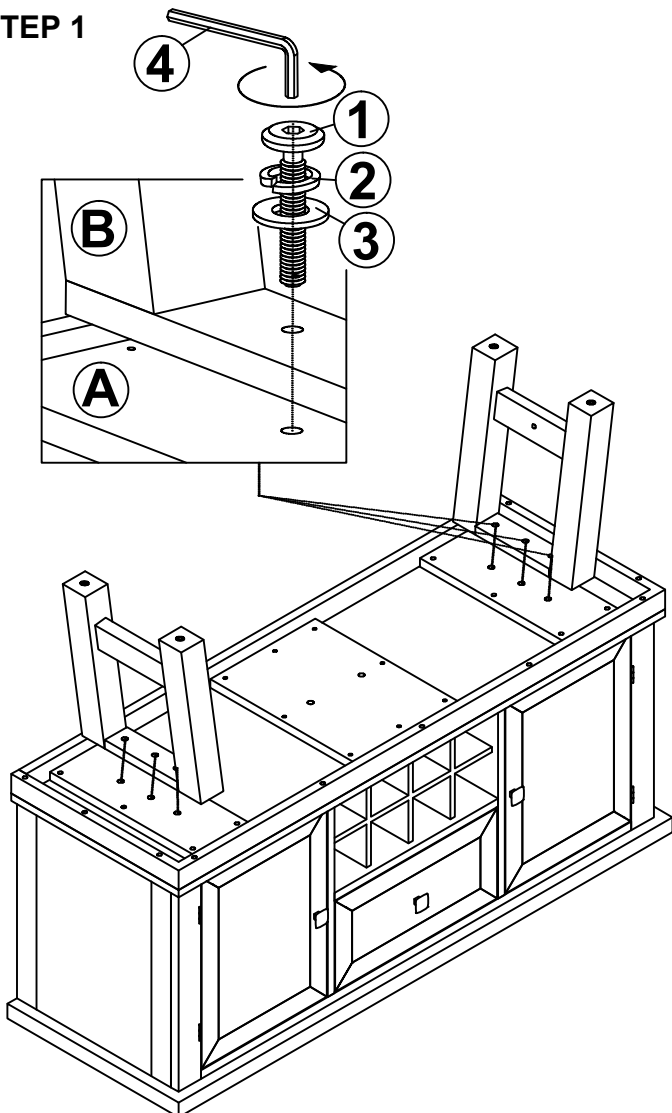
Caution: Please read instructions thoroughly before unpacking assembly parts. Sharp, exposed staple tips can cause injury, therefore, for your protection, please remove any exposed staples used in packing.

1. We recommend that you should assemble this product with the assistance of another person; this will make assembly easier, and will help to eliminate damage the product or injury to persoms during assembly.
2. Be sure to check all packing materials carefully for small parts that may have come loose inside the carton during shipment.
3. Please do not over tighten screws or bolts.
4. Please put all parts on a non-abrasive floor before assembly, and follow the assembly steps to assemble your newly purchased product correctly and efficiently.

PART LIST			
No.	PART DESC.	CODE.	Q'Ty
A	 Server		1 pc
B	 Server Lsf/ Rsf Legs	SVLEG	2 pcs
C	 Server Lsf/ Rsf Side Stretcher	SVSTR	2 pcs

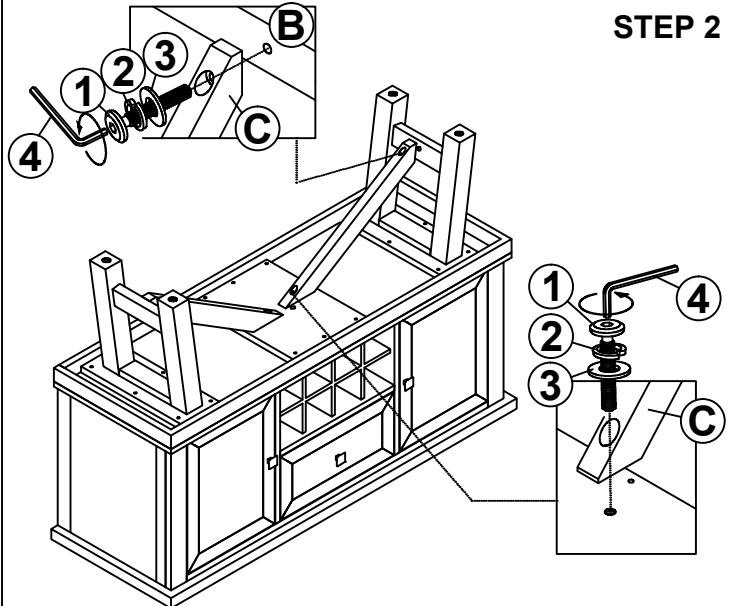
HARDWARE LIST			
No.	HARDWARE DESC.	CODE.	Q'Ty
1	 Screw * 4.0 x 1/4" x 45 mm	SVHW	10 pcs
2	 Washer 1/16" x 13 mm		10 pcs
3	 Washer 1/16" x 19 mm		10 pcs
4	 Allen Key 4 mm		1 pc
5	 Server Anti Tip Kit	SVATK	1 set

STEP 1



* Note: Do not fully tighten Bolts until Step 2

STEP 2



COMPLETE

