

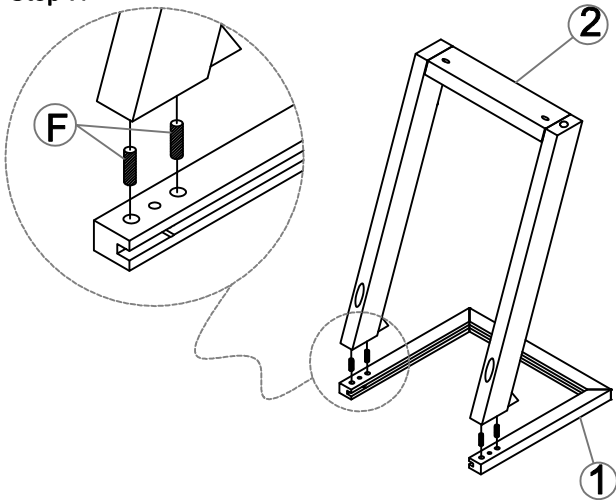
# ASSEMBLY INSTRUCTION FOR RECTANGULAR SOFA TABLE T.10410.ST

**Caution:** Please read instructions thoroughly before unpacking assembly parts. Sharp, exposed staple tips can cause injury, therefore, for your protection, please remove any exposed staples used in packing.

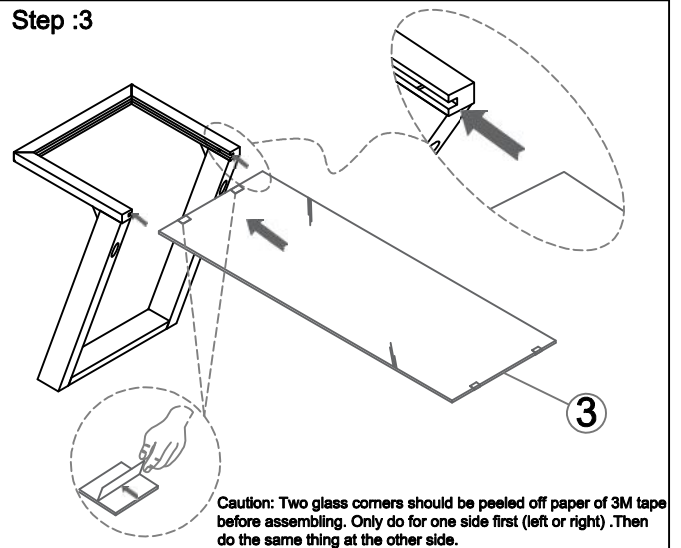
1. We recommend that you should assemble this product with the assistance of another person; this will make assembly easier, and will help to eliminate damage to the product or injury to persons during assembly.
2. Be sure to check all packing materials carefully for small parts that may have come loose inside the carton during shipment.
3. Please do not over tighten screws or bolts.
4. Please put all parts on a non-abrasive floor before assembly, and follow the assembly steps to assemble your newly purchased product correctly and efficiently.

PART LIST				HARDWARE LIST			
No.	PART DESC	CODE	Q'TY	No.	HARDWARE DESC	CODE	Q'TY
1	RECTANGULAR SOFA TABLE - Top Frame	PT.10410.STTOP	2	A	ALLEN BOLT (1/4" x 100mm)	PT.10410.STHW	4
2	RECTANGULAR SOFA TABLE - Leg Frame	PT.10410.STLEG	2	B	SPRING WASHER (1/4")		4
3	RECTANGULAR SOFA TABLE - Tempered glass top	PT.10410.STGLA	1	C	FLAT WASHER (1/4")		4
				D	BARREL NUT ( 1/4"x13mm)		4
				E	ALLEN KEY (M4x110mm)		1
				F	WOOD DOWEL (Ø12x40mm)		8

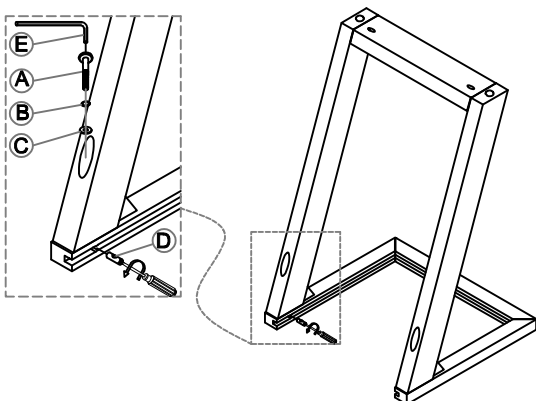
**Step :1**



**Step :3**



**Step :2**



**Step :4**

