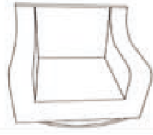



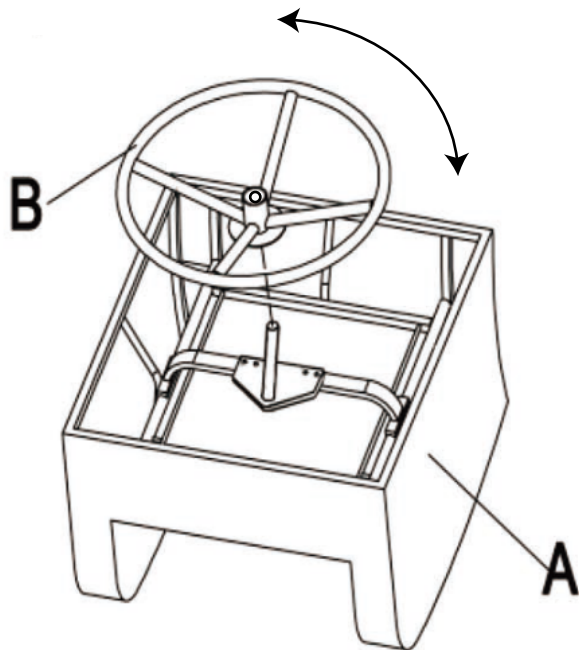
ASSEMBLY INSTRUCTIONS
ITEM NO: 17C390A-W-SV
SWIVEL ROCKER SHORELINE PECAN

Thank you for purchasing this quality product. Be sure to check all packing material carefully for small parts that may have come loose inside the carton during shipment

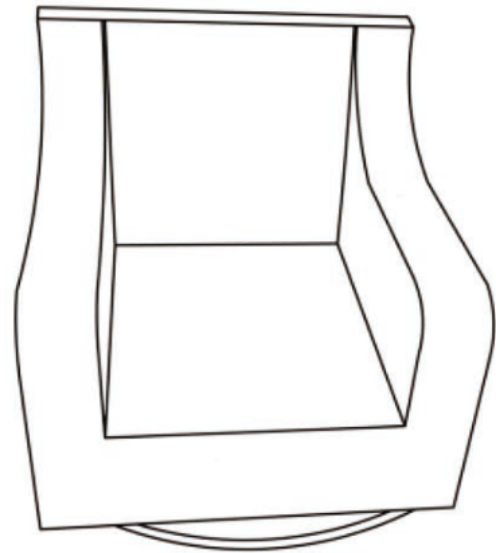
PARTS LIST :

A x 1		B x 1	
CHAIR		BASE	

TO ATTACH THE SWIVEL CENTER OVER THE YOKE PUSH DOWN FIRMLY AND ROTATE BACK AND FORTH UNTIL THE YOKE REACHES THE END OF THE BASE SHAFT.



Step 1



Step 2

WEIGHT LIMIT 300 LBS
MADE IN CHINA