



# ASSEMBLY INSTRUCTIONS

ITEM NO: D0526N-DC



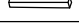
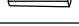




Description: DINING CHAIR\_SHILOH

Thank you for purchasing this quality product. Be sure to check all packing material carefully for small parts that may have come loose inside the carton during shipment.





TOOLS REQUIRED (NOT PROVIDED)

 Screwdriver

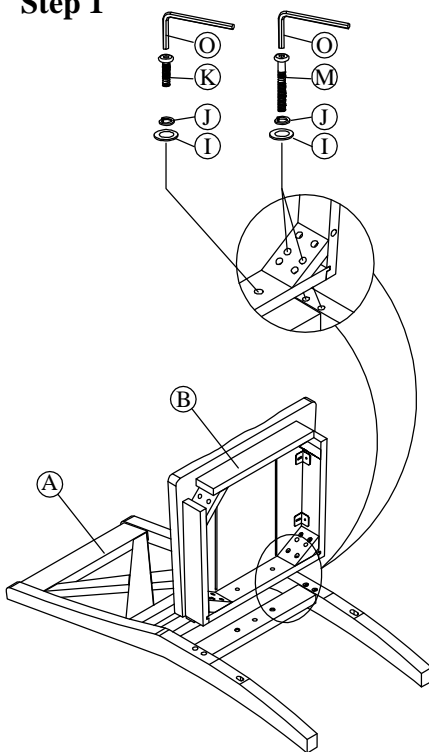
**PARTS LIST:**

No.	Sketch	Description	Quantity
A		Chair Back	1 Pc
B		Seat Frame	1 Pc
C		Left Front Leg	1 Pc
D		Right Front Leg	1 Pc
E		Left Side Stretcher	1 Pc
F		Right Side Stretcher	1 Pc
G		Center Stretcher	1 Pc
H		Cushion	1 Pc

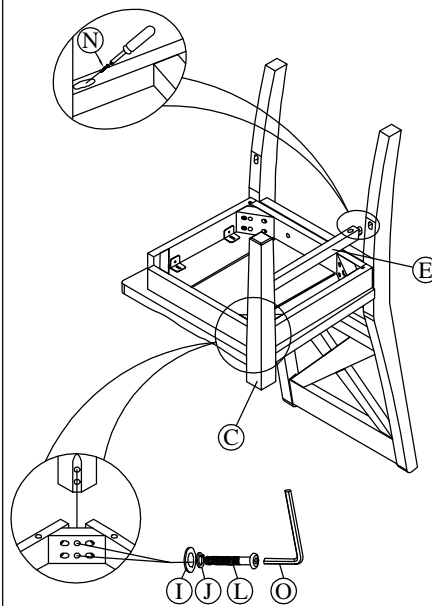
**HARDWARE LIST:**

No.	Sketch	Description	Size	Quantity
I		Washer	1/4"	10 Pcs
J		Spring washer	1/4"	10 Pcs
K		Bolt	1/4"x40mm	2 Pcs
L		Bolt	1/4"x60mm	4 Pcs
M		Bolt	1/4"x75mm	4 Pcs
N		Wood Screw	#4x40mm	6 Pcs
O		Allen key	M4	1 Pc
P		Allen key	M4x75mm	1 Pc

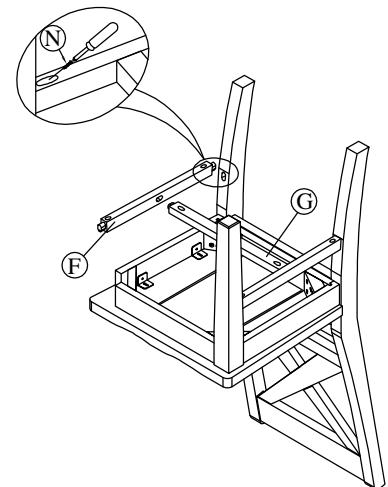
**Step 1**



**Step 2**



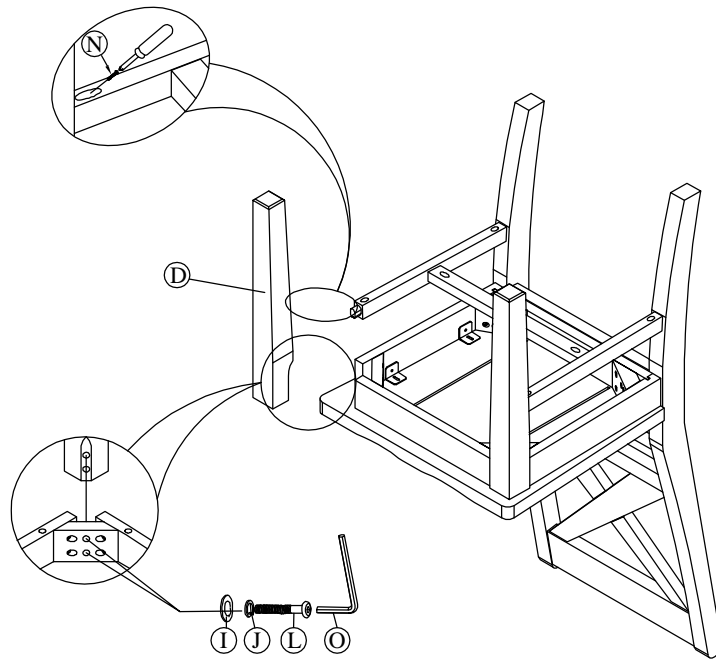
**Step 3**





Thank you for purchasing this quality product. Be sure to check all packing material carefully for small parts that may have come loose inside the carton during shipment.

Step 4



Step 5

