



## ASSEMBLY INSTRUCTIONS

ITEM NO: D0526N-B

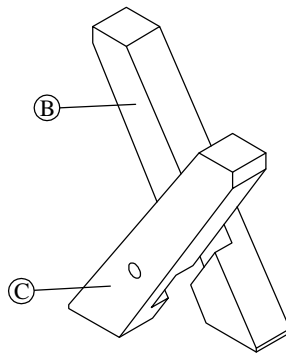
Description: DINING BENCH\_SHILOH

Thank you for purchasing this quality product. Be sure to check all packing material carefully for small parts that may have come loose inside the carton during shipment.

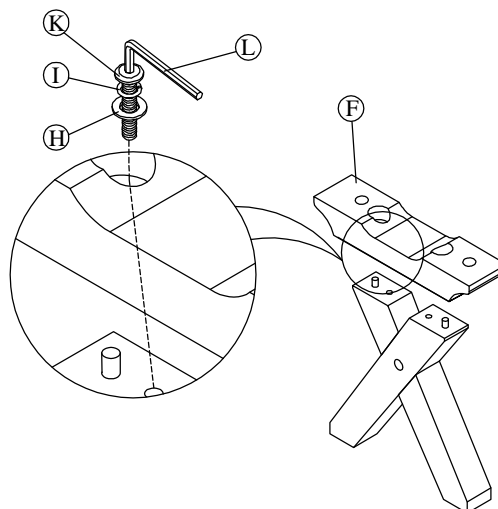
PARTS LIST:			
No.	Sketch	Description	Quantity
A		Bench Top	1 Pc
B		Leg L	2 Pcs
C		Leg R	2 Pcs
D		Metal Stretcher	1 Pc
E		Large Hex Nut	2 Pcs
F		Base of Leg	2 Pcs
G		Cushion	1 Pc

HARDWARE LIST:				
No.	Sketch	Description	Size	Quantity
H		Washer	1/4"	12 Pcs
I		Spring washer	1/4"	12 Pcs
J		Bolt	1/4"x40mm	8 Pcs
K		Bolt	1/4"x60mm	4 Pcs
L		Allen key	M4	1 Pc
M		Allen key	M4x75mm	1 Pc
N		Wrench	M 25	1 Pc

### Step 1



### Step 2



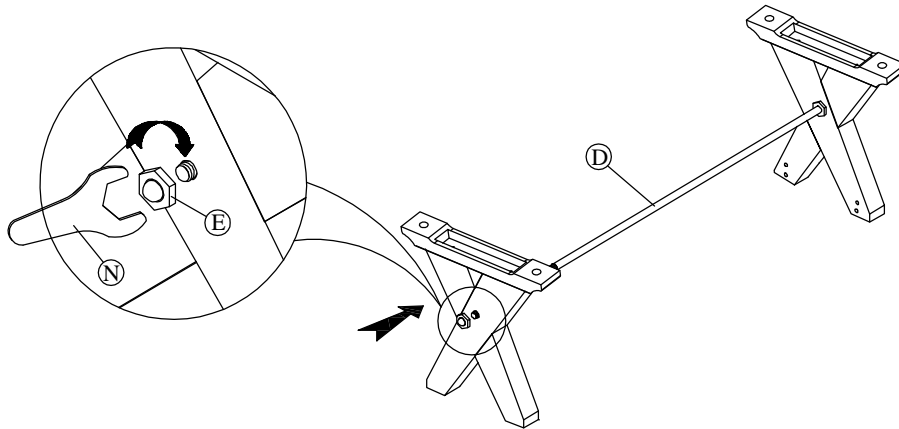
# ASSEMBLY INSTRUCTIONS

ITEM NO: D0526N-B

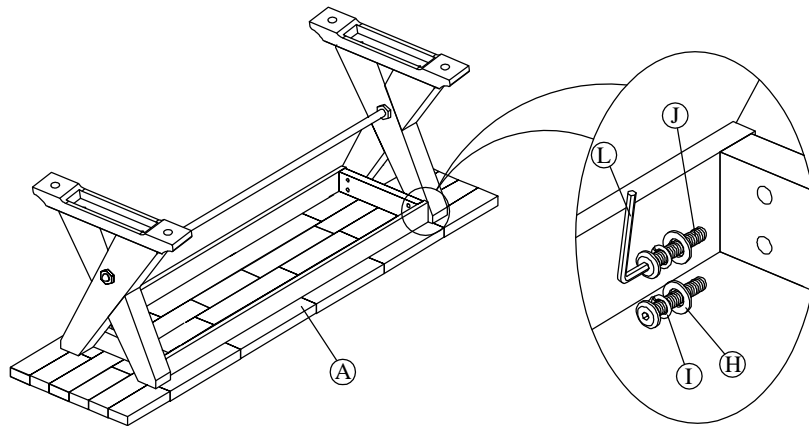
Description: DINING BENCH\_SHILOH

Thank you for purchasing this quality product. Be sure to check all packing material carefully for small parts that may have come loose inside the carton during shipment.

## Step 3



## Step 4



## Step 5

