



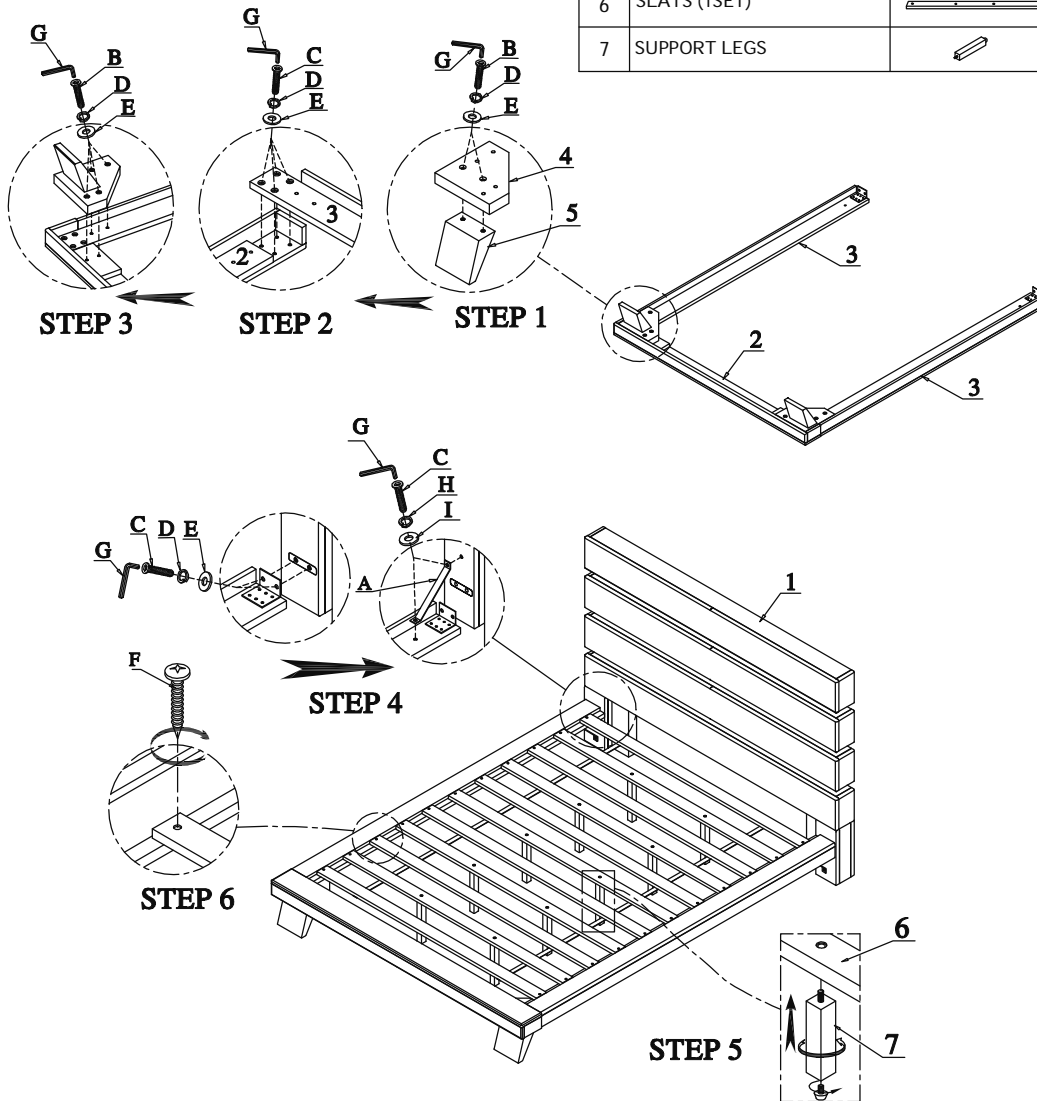
ASSEMBLY INSTRUCTIONS
ITEM NO: 195-S244-251/255
QUEEN BED - AXIS WHISKEY

Thank you for purchasing this quality product. Be sure to check all packing material carefully for small parts that may have come loose inside the carton during shipment.

HARDWARE LIST:				
NO.	DESCRIPTION	SKETCH	SIDE	Q'TY
A	METAL		237.5*25*20.5	2PCS
B	BOLT		Ø5/16"*2-1/2"	12PCS
C	BOLT		Ø5/16"*1-1/8"	16PCS
D	LOCK WASHER		Ø5/16"	28PCS
E	FLAT WASHER		Ø5/16"*19*2mm	28PCS
F	SCREW		#8"*1"	22PCS
G	ALLEN KEY		Ø5/16"	1PC
H	STRAIGHT ALLEN KEY		5mm(4")	1PC

TOOLS REQUIRED (NOT PROVIDED)	
PHILLIPS SCREWDRIVER	

PARTS LIST:			
NO.	DESCRIPTION	SKETCH	Q'TY
1	HEADBOARD PANEL		1 PC
2	FOOTDBOARD		1 PC
3	SIDE RAIL (L&R)		2 PCS
4	FOOTDBOARD CLEAT (L&R)		2 PCS
5	FOOTDBOARD LEG		2 PCS
6	SLATS (1SET)		11 PCS
7	SUPPORT LEGS		10 PCS



MADE IN VIETNAM