

# ASSEMBLY INSTRUCTIONS



ITEM NO: BVC162-6SH - KG UPH SLEIGH HDBD-MAYFAIR WHT  
 BVC162-6F - KG UPH SLEIGH FTBD-MAYFAIR WHT  
 BVC162-56R - Q/K SLGH RAILS-MAYFAIR WHITE

Thank you for purchasing this quality product. Be sure to check all packing material carefully for small parts that may have come loose inside the carton during shipment.

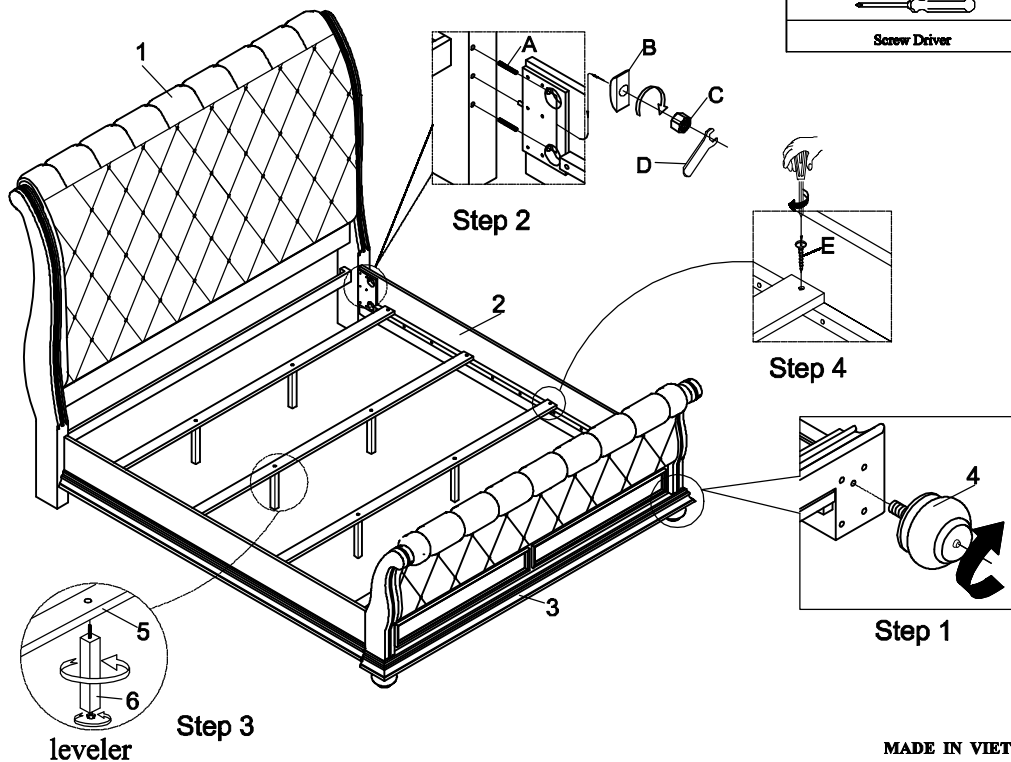
**HARDWARE/PARTS LOCATION**

BVC162-6F - KG UPH SLEIGH FTBD-MAYFAIR WHT > Step 2 & 4 hardware > Inside red pack with red tape > Placed next to the leg box  
 > Bun Foot > Inside labeled inner carton > Placed at top footboard  
 > Support leg > Inside labeled inner carton > Placed at top footboard

NO.	HARDWARE LIST		Q'TY
A		Ø5/16"X4-1/2" Bolt	8
B		29*15*7.5 Half Moon Washer	8
C		Ø5/16" x 12mm Hex Nut	8
D		Ø5/16" Wrench	1
E		#8x1" Screw	8

NO.	PARTS LIST		Q'TY
1		Headboard	1
2		Side rails	2
3		Footboard	1
4		Bun foot	2
5		Slat (1968*64*18mm)	4
6		Support leg (223*29*29mm)	8

TOOLS REQUIRED (NOT PROVIDED)
Screw Driver



MADE IN VIETNAM