

AMERICAN SIGNATURE, INC.

ASSEMBLY INSTRUCTIONS

ITEM NO: BVC162-A ARMOIRE-MAYFAIR WHITE





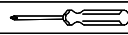
Thank you for purchasing this quality product. Be sure to check all packing material carefully for small parts that may have come loose inside the carton during shipment.

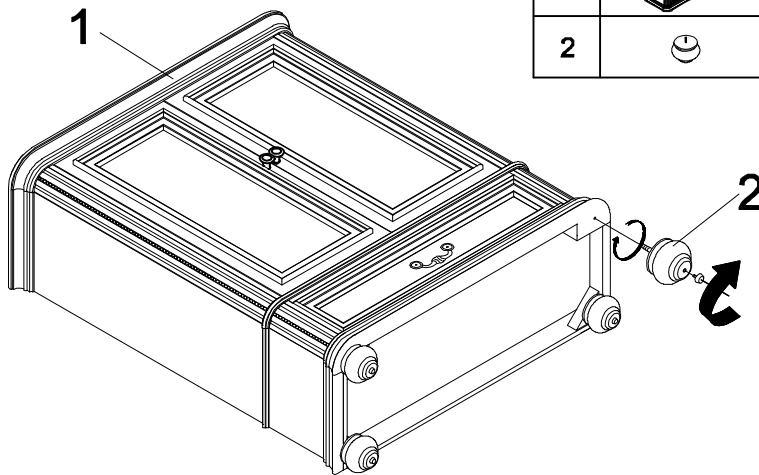
HARDWARE/PARTS LOCATION

BVC162-A ARMOIRE-MAYFAIR WHITE > Bun foot > Inside labeled inner carton > Placed in bottom drawer
> Anti-tipping kit > Inside white pack > Stapled behind Armoire's right top corner

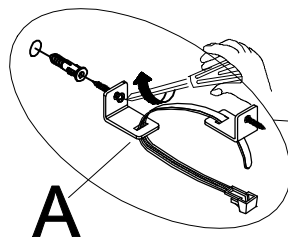
NO.	HARDWARE LIST	Q'TY
A	 Anti-tipping hardware	2

NO.	PARTS LIST	Q'TY
1	 Armoire	1
2	 Bun Foot	4

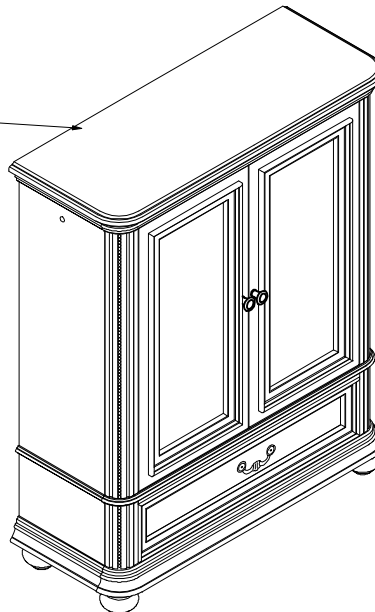
TOOLS REQUIRED (NOT PROVIDED)

Screw Driver



Step 1



Step 2



MADE IN VIETNAM