

# ASSEMBLY INSTRUCTIONS



ITEM NO: BVC162-5SH - QN UPH SLEIGH HDBD-MAYFAIR WHT  
 BVC162-5F - QN UPH SLGH FTBD-MAYFAIR WHITE  
 BVC162-56R - Q/K SLGH RAILS-MAYFAIR WHITE

Thank you for purchasing this quality product. Be sure to check all packing material carefully for small parts that may have come loose inside the carton during shipment.

**HARDWARE/PARTS LOCATION**

BVC162-5F - QN UPH SLGH FTBD-MAYFAIR WHITE > Step 2 & 4 hardware > Inside red pack with red tape > Placed next to the leg box  
 > Bun Foot > Inside labeled inner carton > Placed at top footboard  
 > Support leg > Inside labeled inner carton > Placed at top footboard

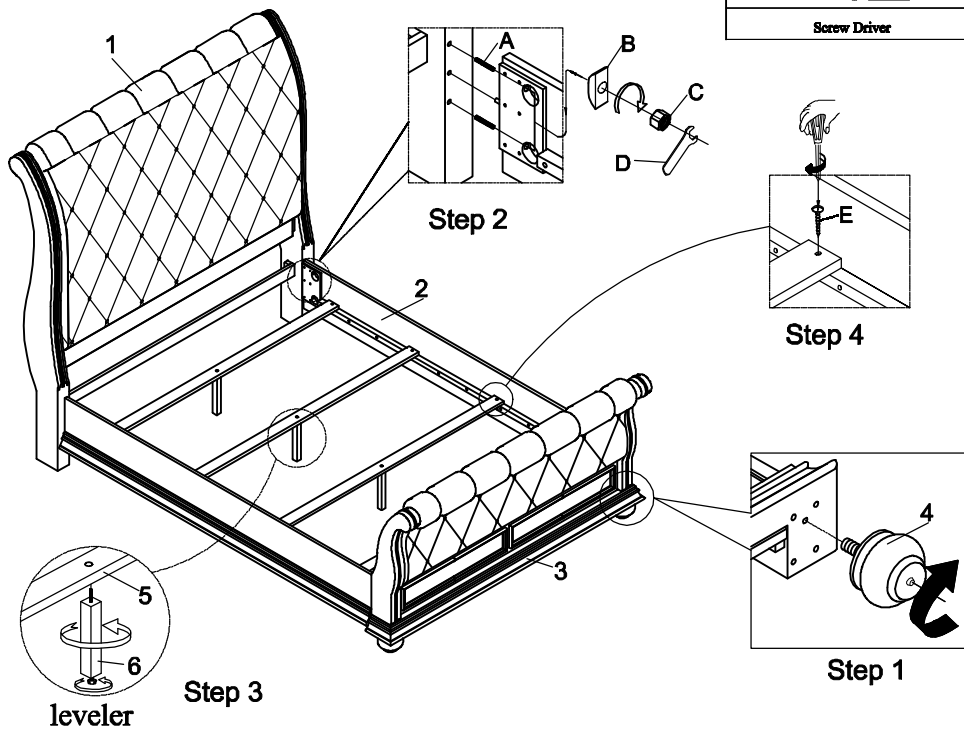
NO.	HARDWARE LIST		Q'TY
A		Ø5/16"X4-1/2" Bolt	8
B		29*15*7.5 Half Moon Washer	8
C		Ø5/16" x 12mm Hex Nut	8
D		Ø5/16" Wrench	1
E		#8x1" Screw	8

NO.	PARTS LIST		Q'TY
1		Headboard	1
2		Side rails	2
3		Footboard	1
4		Bun foot	2
5		Slat (1562*64*18mm)	4
6		Support leg (223*29*29mm)	4

**TOOLS REQUIRED (NOT PROVIDED)**



Screw Driver



MADE IN VIETNAM

# ASSEMBLY INSTRUCTIONS

ITEM NO: BVC162-N NIGHTSTAND W/USB-MAYFAIR WHITE





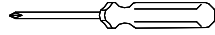
Thank you for purchasing this quality product. Be sure to check all packing material carefully for small parts that may have come loose inside the carton during shipment.

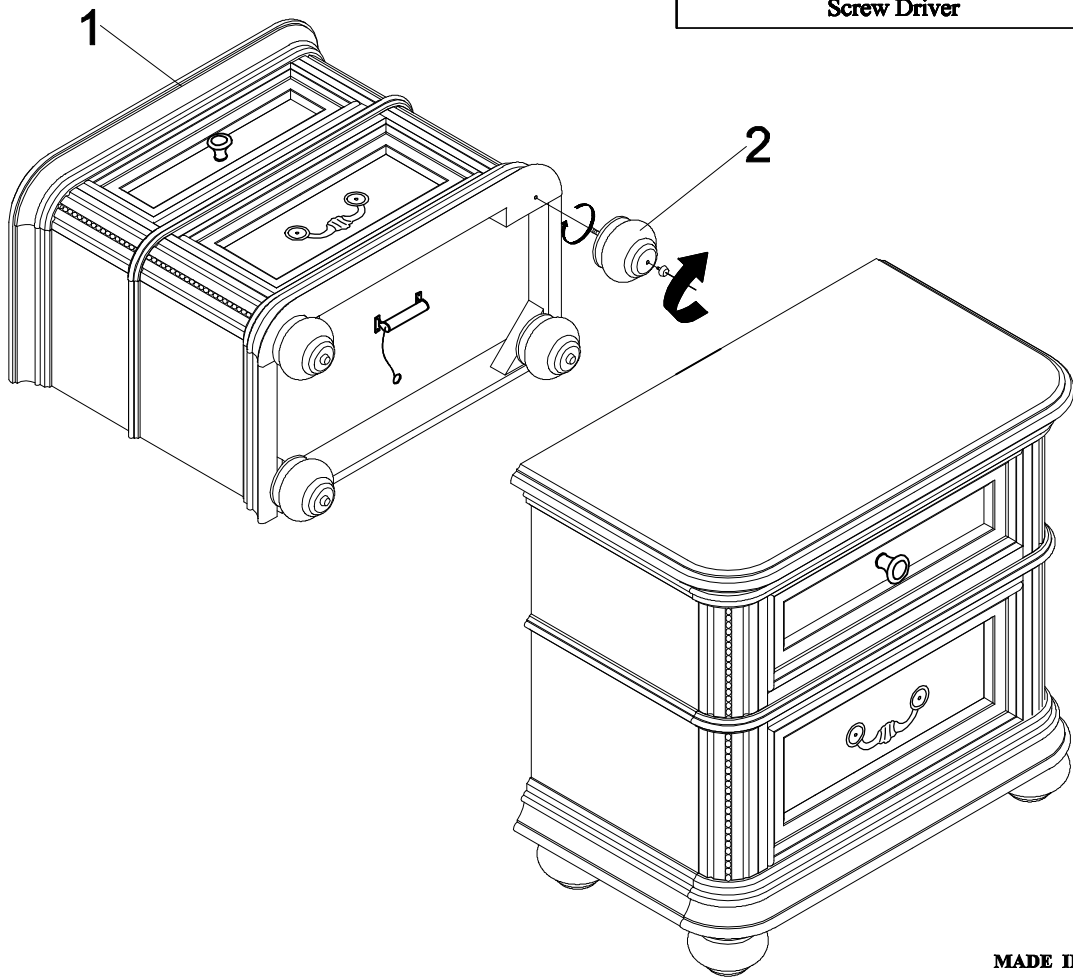
**HARDWARE/PARTS LOCATION**

BVC162-N NIGHTSTAND W/USB-MAYFAIR WHITE > Bun foot > Inside labeled inner carton > Placed in bottom drawer  
> Anti-tipping kit > Inside white pack > Stapled behind Nightstand's right top corner

NO.	HARDWARE LIST		Q'TY
A		Anti-tipping hardware	1

NO.	PARTS LIST		Q'TY
1		Nightstand	1
2		Bun Foot	4

TOOLS REQUIRED (NOT PROVIDED)

Screw Driver



MADE IN VIETNAM

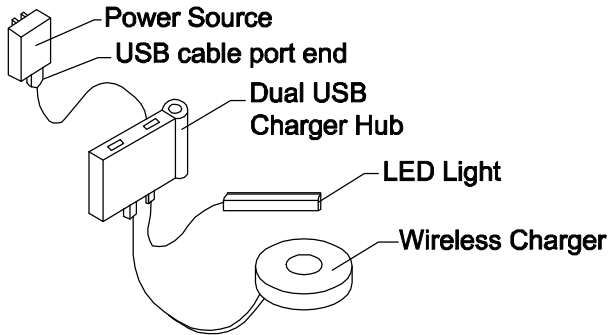
# ASSEMBLY INSTRUCTIONS

ITEM NO: BVC162-N NIGHTSTAND W/USB-MAYFAIR WHITE

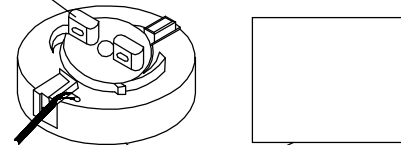


Thank you for purchasing this quality product. Be sure to check all packing material carefully for small parts that may have come loose inside the carton during shipment.

## WIRELESS CHARGING DIAGRAM



Wireless device is already installed into the underside of the night stand top, if you need to remove for any reason please twist locking device counter clockwise to remove, then re insert and lock by twisting the clockwise .



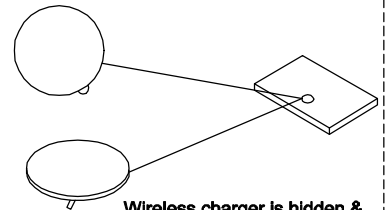
Lock / unlock .

**CAUTION:** Changes or modifications not approved by the party responsible for compliance could void user's authority to operate the equipment.

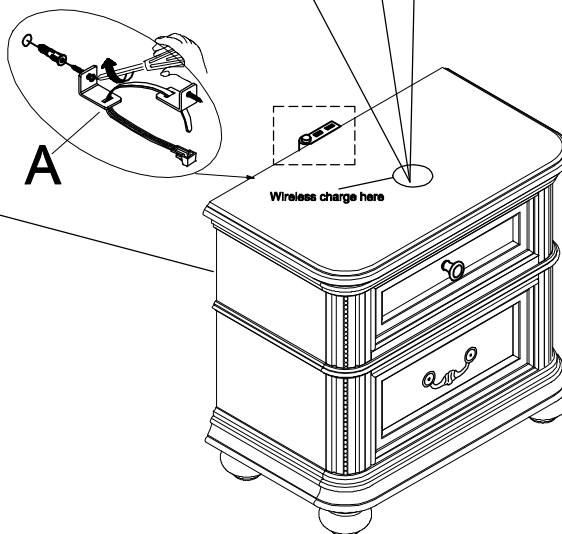
**NOTE:** This equipment has been tested and found to comply with the limits for a Class B digital device, pursuant to Part 15 of the FCC Rules. These limits are designed to provide reasonable protection against harmful interference in a residential installation. This equipment generates, uses and can radiate radio frequency energy and, if not installed and used in accordance with the instructions, may cause harmful interference to radio communications. However, there is no guarantee that interference will not occur in a particular installation. If this equipment does cause harmful interference to radio or television reception, which can be determined by turning the equipment off and on, the user is encouraged to try to correct the interference by one or more of the following measures:

- Reorient or relocate the receiving antenna.
- Increase the separation between the equipment and receiver.
- Connect the equipment into an outlet on a circuit different from that to which the receiver is connected.
- Consult the dealer or an experienced radio/TV technician for help.

Label shown is placed on the top to indicate wireless charging position . Place compatible device in this area for charging .



Wireless charger is hidden & mounted underneath top panel.



MADE IN VIETNAM

# ASSEMBLY INSTRUCTIONS

ITEM NO: BVC162-D DRESSER-MAYFAIR WHITE

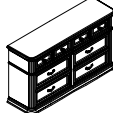

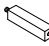


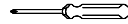
Thank you for purchasing this quality product. Be sure to check all packing material carefully for small parts that may have come loose inside the carton during shipment.

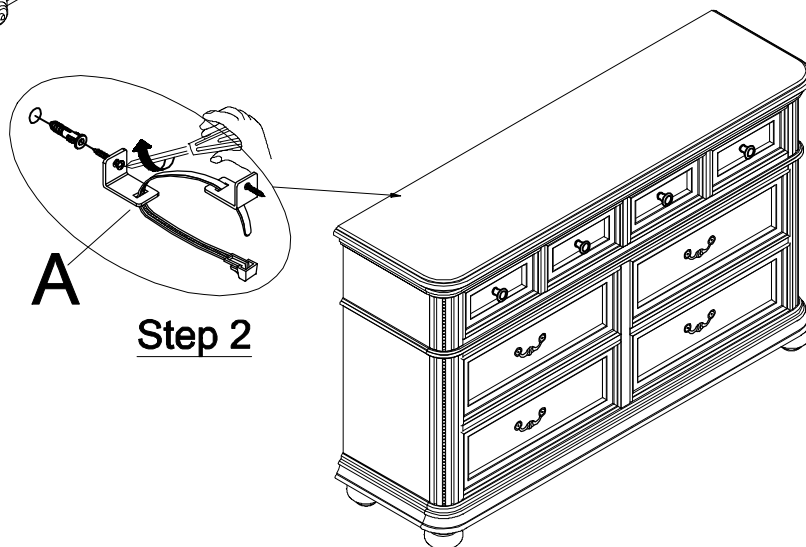
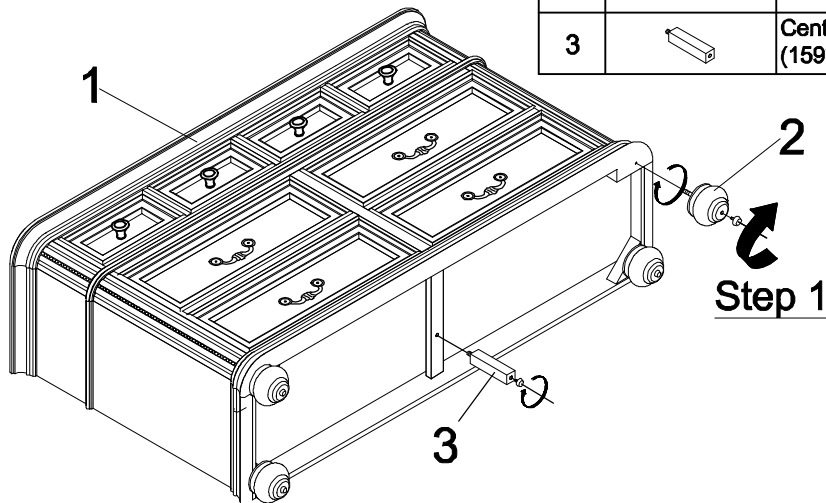
**HARDWARE/PARTS LOCATION**

BVC162-D DRESSER-MAYFAIR WHITE > Bun foot > Inside labeled inner carton > Placed in right bottom drawer  
> Anti-tipping kit > Inside white pack > Stapled behind Dresser's right top corner

NO.	HARDWARE LIST	Q'TY
A	 Anti-tipping hardware	2

NO.	PARTS LIST	Q'TY
1	 Dresser	1
2	 Bun Foot	4
3	 Center support leg (159*29*29mm)	1

TOOLS REQUIRED (NOT PROVIDED)

Screw Driver



MADE IN VIETNAM



# ASSEMBLY INSTRUCTIONS








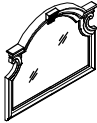

ITEM NO: BVC162-M MIRROR-MAYFAIR WHITE

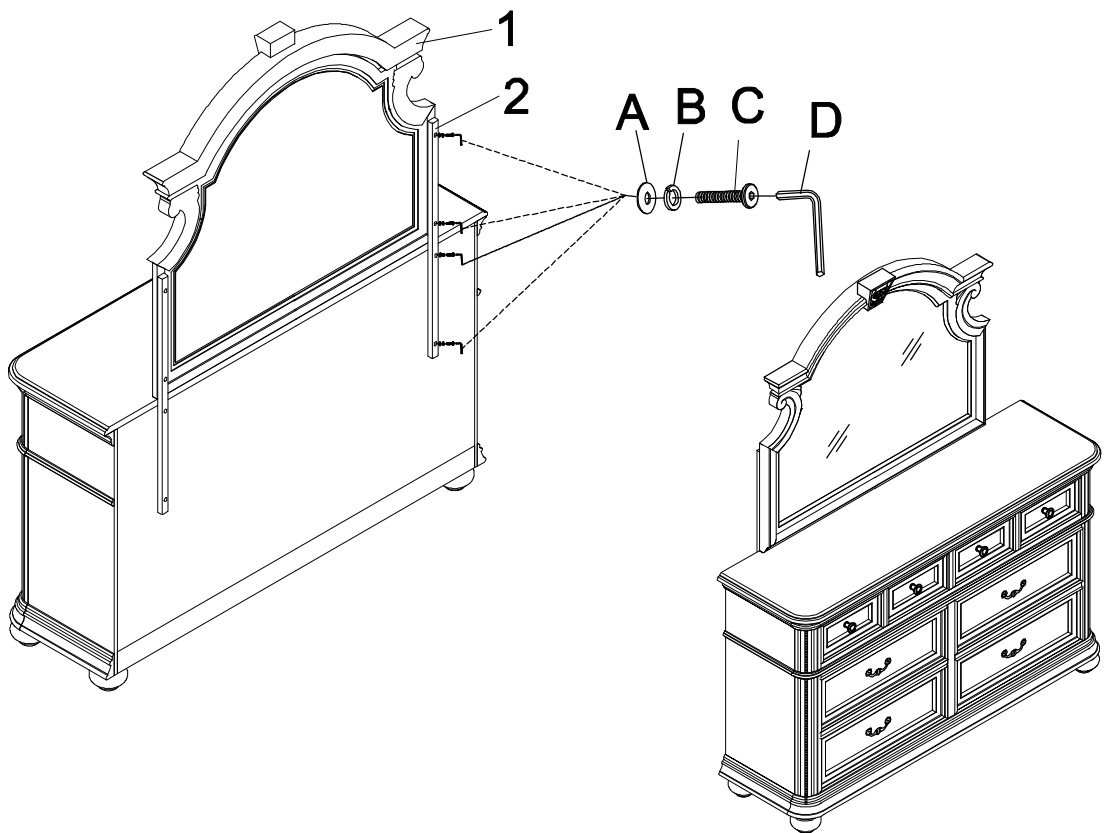
Thank you for purchasing this quality product. Be sure to check all packing material carefully for small parts that may have come loose inside the carton during shipment.

## HARDWARE/PARTS LOCATION

BVC162-M MIRROR-MAYFAIR WHITE > Hardware > Inside red pack with red tape > Placed at the left bottom corner

NO.	HARDWARE LIST	Q'TY
A	 Ø5/16"X19X2mm Flat washer	8
B	 Ø5/16"X12X2mm Spring washer	8
C	 Ø5/16"X38mm Bolt	8
D	 4mm Allen wrench	1
E	 4mm*4" Long Allen wrench	1

NO.	PARTS LIST	Q'TY
1	 Mirror	1
2	 Mirror supports	2



MADE IN VIETNAM

EXCLUSIVE AMERICAN SIGNATURE DESIGN-DO NOT REPRODUCE WITHOUT WRITTEN PERMISSION