

ASSEMBLY INSTRUCTIONS



ITEM NO: BVC162-5SH - QN UPH SLEIGH HDBD-MAYFAIR WHT
 BVC162-5F - QN UPH SLGH FTBD-MAYFAIR WHITE
 BVC162-56R - Q/K SLGH RAILS-MAYFAIR WHITE

Thank you for purchasing this quality product. Be sure to check all packing material carefully for small parts that may have come loose inside the carton during shipment.

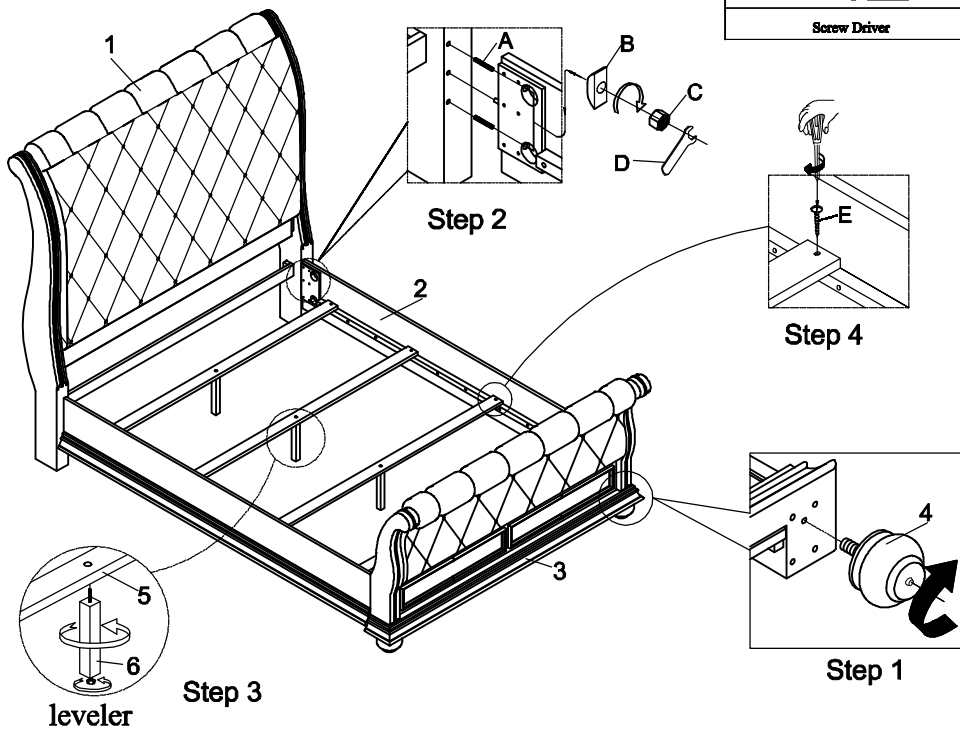
HARDWARE/PARTS LOCATION

BVC162-5F - QN UPH SLGH FTBD-MAYFAIR WHITE > Step 2 & 4 hardware > Inside red pack with red tape > Placed next to the leg box
 > Bun Foot > Inside labeled inner carton > Placed at top footboard
 > Support leg > Inside labeled inner carton > Placed at top footboard

NO.	HARDWARE LIST		Q'TY
A		Ø5/16"X4-1/2" Bolt	8
B		29*15*7.5 Half Moon Washer	8
C		Ø5/16" x 12mm Hex Nut	8
D		Ø5/16" Wrench	1
E		#8x1" Screw	8

NO.	PARTS LIST		Q'TY
1		Headboard	1
2		Side rails	2
3		Footboard	1
4		Bun foot	2
5		Slat (1562*64*18mm)	4
6		Support leg (223*29*29mm)	4

TOOLS REQUIRED (NOT PROVIDED)
Screw Driver



MADE IN VIETNAM



ASSEMBLY INSTRUCTIONS

ITEM NO: BVC162-D DRESSER-MAYFAIR WHITE

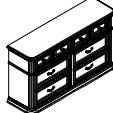

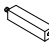


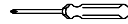
Thank you for purchasing this quality product. Be sure to check all packing material carefully for small parts that may have come loose inside the carton during shipment.

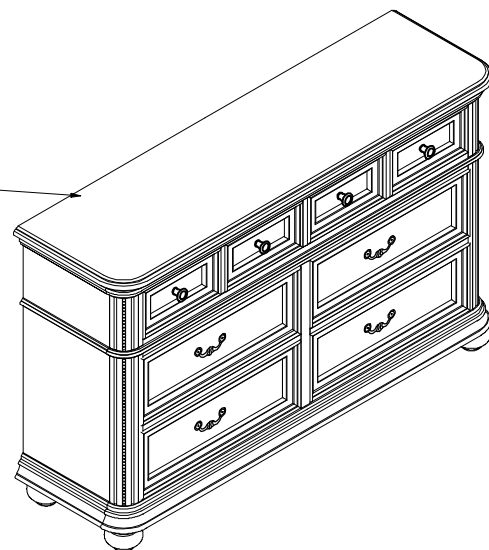
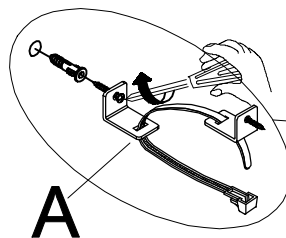
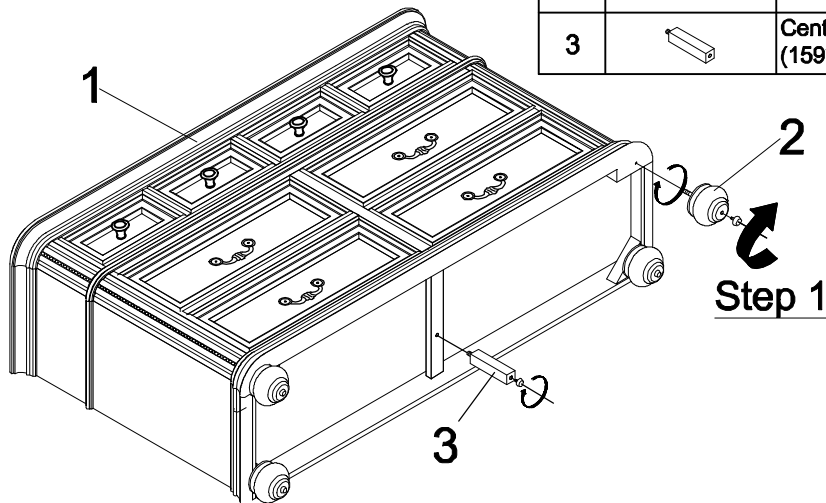
HARDWARE/PARTS LOCATION

BVC162-D DRESSER-MAYFAIR WHITE > Bun foot > Inside labeled inner carton > Placed in right bottom drawer
> Anti-tipping kit > Inside white pack > Stapled behind Dresser's right top corner

NO.	HARDWARE LIST	Q'TY
A	 Anti-tipping hardware	2

NO.	PARTS LIST	Q'TY
1	 Dresser	1
2	 Bun Foot	4
3	 Center support leg (159*29*29mm)	1

TOOLS REQUIRED (NOT PROVIDED)

Screw Driver



MADE IN VIETNAM



ASSEMBLY INSTRUCTIONS








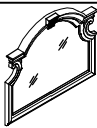

ITEM NO: BVC162-M MIRROR-MAYFAIR WHITE

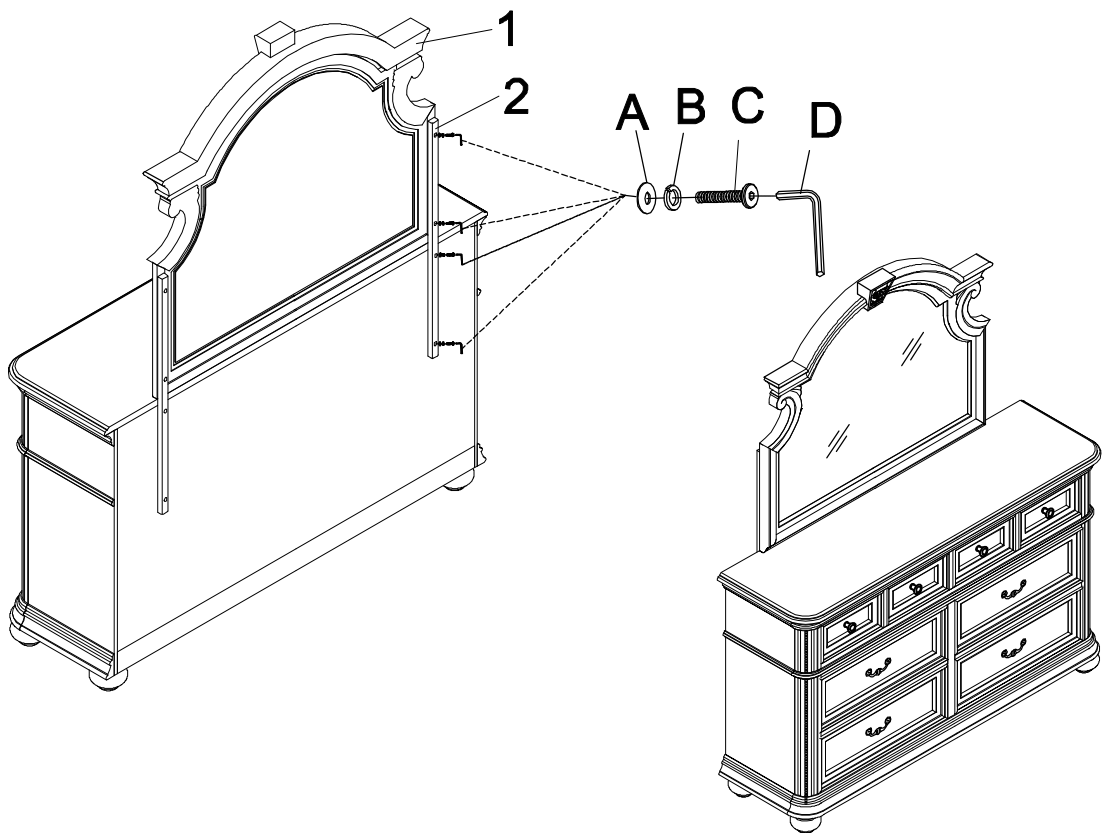
Thank you for purchasing this quality product. Be sure to check all packing material carefully for small parts that may have come loose inside the carton during shipment.

HARDWARE/PARTS LOCATION

BVC162-M MIRROR-MAYFAIR WHITE > Hardware > Inside red pack with red tape > Placed at the left bottom corner

NO.	HARDWARE LIST		Q'TY
A		Ø5/16"X19X2mm Flat washer	8
B		Ø5/16"X12X2mm Spring washer	8
C		Ø5/16"X38mm Bolt	8
D		4mm Allen wrench	1
E		4mm*4" Long Allen wrench	1

NO.	PARTS LIST		Q'TY
1		Mirror	1
2		Mirror supports	2



MADE IN VIETNAM

EXCLUSIVE AMERICAN SIGNATURE DESIGN-DO NOT REPRODUCE WITHOUT WRITTEN PERMISSION