

# ASSEMBLY INSTRUCTIONS

ITEM NO.: 2695&2696-03&04  
DRESSER & MIRROR-HAMPTON

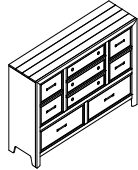


THANK YOU FOR PURCHASING THIS QUALITY PRODUCT. BE SURE TO CHECK ALL PACKING MATERIALS CAREFULLY FOR SMALL PARTS THAT MAY HAVE COME LOOSE INSIDE THE CARTON DURING SHIPMENT.

## TOOLS REQUIRED (NOT PROVIDED)







PHILLIPS SCREWDRIVER

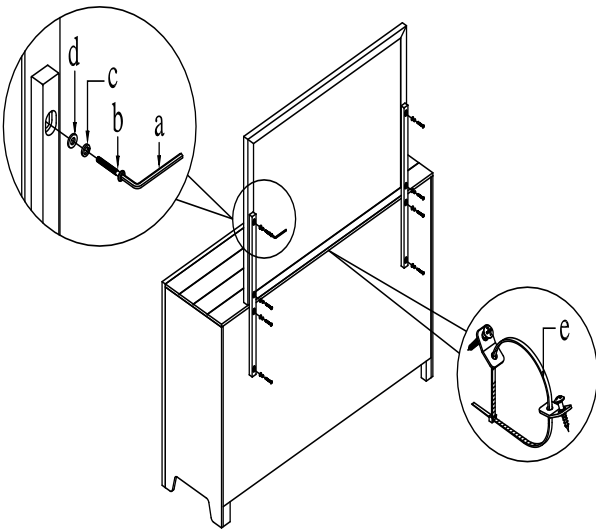


## PARTS LIST:

NO	DESCRIPTION	SKETCH	QTY
A	DRAWER DRESSER		1 PC
B	LANDSCAPE MIRROR		1 PC
C	MIRROR SUPPORT		2 PCS

## LANDSCAPE MIRROR HARDWARE LIST:

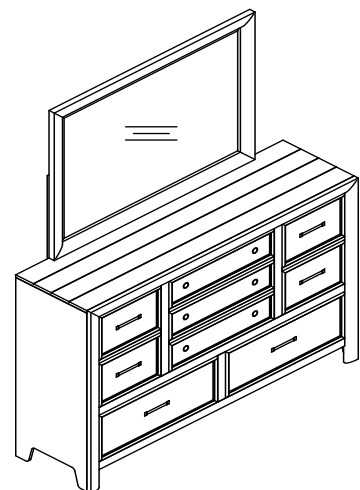
NO	DESCRIPTION	SKETCH	SIZE	QTY
a	Allen Key		4 x 74 x 29mm	1 PC
b	Bolt		ϕ 1/4" x 11.5 x 32mm	8 PCS
c	Spring Washer		ϕ 1/4" x ϕ 11 x 2mm T	8 PCS
d	Flat Washer		ϕ 1/4" x ϕ 18 x 2mm T	8 PCS
e	TIPPING RESTRAINT			1 set
f	STRAIGHT ALLEN KEY		4*100mm	1PC



STEP 1: With another person's assistance, lift the mirror (B) and attach mirror support (C) into position on top of the dresser. Secure the mirror in place by using allen key (a), bolt (b), spring washer (c), flat washer (d).

### Important note:

1. The furniture tipping restraint is stapled to the back of the dresser.
2. The hardware bag for the Drawer Dresser is packed with Drawer Dresser.
3. The hardware bag for the Landscape Mirror is packed with Landscape Mirror.



# ASSEMBLY INSTRUCTIONS

ITEM NO.: 2695&2696-11

DRAWER CHEST-HAMPTON

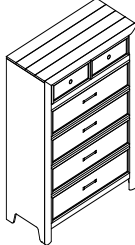
THANK YOU FOR PURCHASING THIS QUALITY PRODUCT. BE SURE TO CHECK ALL PACKING MATERIAL CAREFULLY FOR SMALL PARTS THAT MAY HAVE COME LOOSE INSIDE THE CARTON DURING SHIPMENT.

## TOOLS REQUIRED (NOT PROVIDED)


PHILLIPS SCREWDRIVER

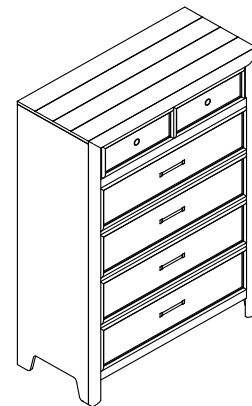
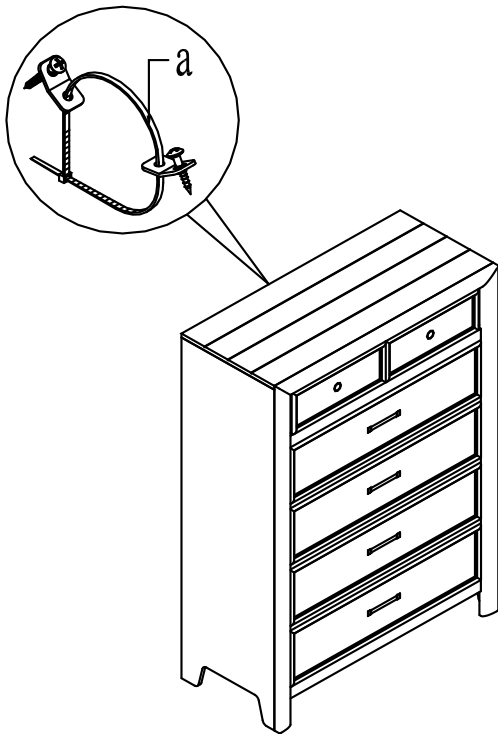


## PARTS LIST:

NO	DESCRIPTION	SKETCH	QTY
A	CHEST		1 PC

## HARDWARE LIST:

NO	DESCRIPTION	SKETCH	SIZE	QTY
a	TIPPING RESTRAINT			1 set



### Important note:

The furniture tipping restraint is stapled to the back of the CHEST.

# ASSEMBLY INSTRUCTIONS

ITEM NO.: 2695&2696-36  
3-DRAWER NTSTND-HAMPTON

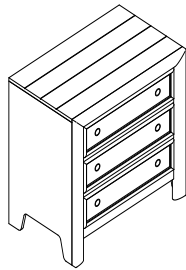
THANK YOU FOR PURCHASING THIS QUALITY PRODUCT. BE SURE TO CHECK ALL PACKING MATERIAL CAREFULLY FOR SMALL PARTS THAT MAY HAVE COME LOOSE INSIDE THE CARTON DURING SHIPMENT.

### TOOLS REQUIRED (NOT PROVIDED)


PHILLIPS SCREWDRIVER

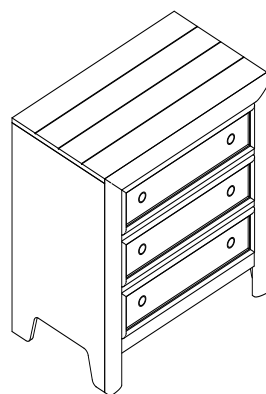
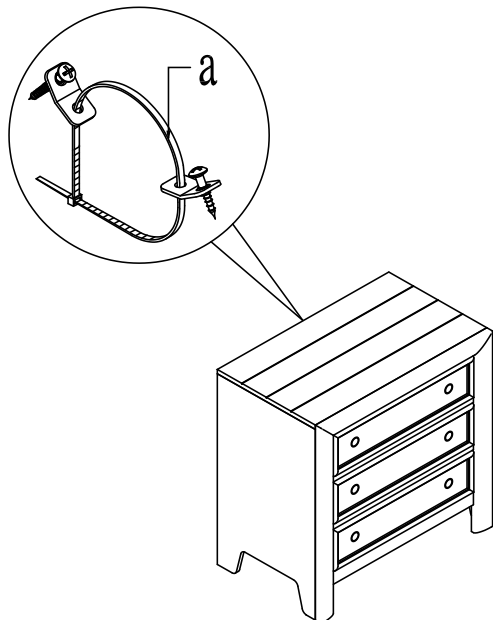


### PARTS LIST:

NO	DESCRIPTION	SKETCH	QTY
A	NIGHT STAND		1 PC

### HARDWARE LIST:

NO	DESCRIPTION	SKETCH	SIZE	QTY
A	TIPPING RESTRAINT			1 set



### Important note:

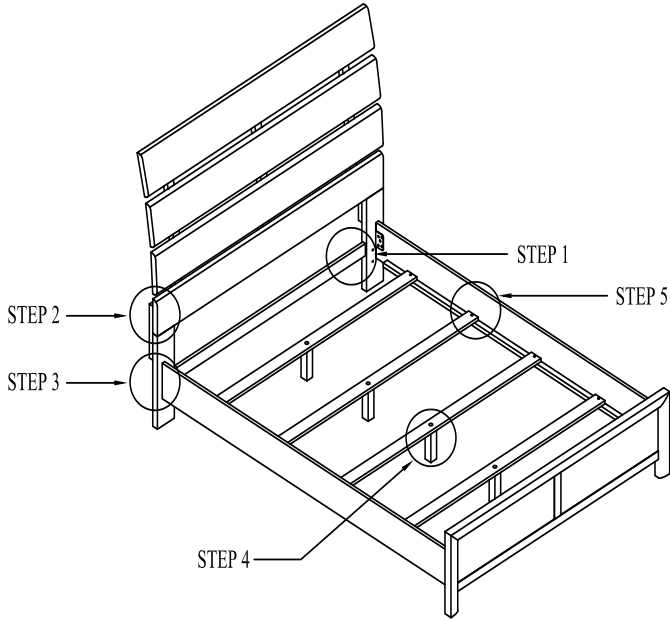
The furniture tipping restraint is stapled to the back of the NIGHT STAND.

# ASSEMBLY INSTRUCTIONS

ITEM NO.: 2695&2696-21H/21F/21R  
 QUEEN PANEL BED-HAMPTON

Thank you for purchasing this quality product. Be sure to check all packing material carefully for small parts that may have come loose inside the carton during shipment.

TOOLS REQUIRED (NOT PROVIDED):  
 PHILLIPS SCREWDRIVER



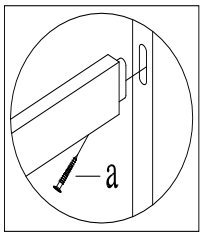
PARTS LIST			
NO.	DESC	SKETCH	Q'TY
A	HEADBOARD		1 PC
B	FOOTBOARD		1 PC
C	BED SIDE RAILS		2 PCS
D	CROSS BAR		1 PC
E	BED SLATS		4 PCS
F	HEADBOARD POST (L + R)		2 PCS
G	SUPPORT LEG		4 PCS

### HARDWARE LIST FOR HEADBOARD

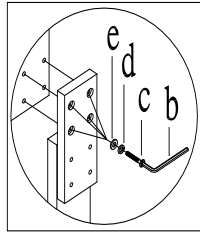
NO.	DESCRIPTION	SKETCH	SIZE	Q'TY
a	Screw		#8 x 50mm	2 PC
b	Allen Key		4 x 74 x 29mm	1 PC
c	Bolt		ϕ 1/4" x 15 x 45mm	8 PCS
d	Spring Washer		ϕ 1/4" x ϕ 11x 2mm T	8 PCS
e	Flat Washer		ϕ 1/4" x ϕ 18 x 2mm T	8 PCS
g	STRAIGHT ALLEN KEY		4*100mm	1 PC

### HARDWARE LIST FOR FOOTBOARD AND SLATS

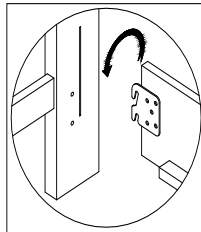
NO.	DESCRIPTION	SKETCH	SIZE	Q'TY
f	Screw		#8 x 30mm	8 PCS



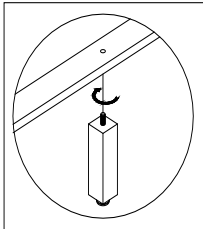
STEP 1



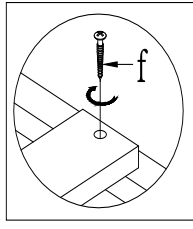
STEP 2



STEP 3



STEP 4



STEP 5

- STEP 1: ATTACH CROSS BAR (D) TO HEADBOARD POST (F) BY USING SCREW (a).  
 STEP 2: ATTACH HEADBOARD POST (F) TO THE HEADBOARD (A) BY USING ALLEN KEY (b), BOLT (c), SPRING WASHER (d) AND FLAT WASHER (e).  
 STEP 3: HANG BED SIDE RAILS (C) TO THE HEADBOARD POST (f) AND FOOTBOARD (B).  
 STEP 4: ATTACH SUPPORT LEG (G) TO SLATS (E) BY TURNING CLOCKWISE.  
 STEP 5: ATTACH SLATS (E) TO SIDE RAILS (C) BY USING SCREW (f).

**IMPORTANT NOTE:**

- HARDWARE BAG FOR HEADBOARD IS PACKED WITH HEADBOARD.
- HARDWARE BAG FOR FOOTBOARD AND SLATS IS PACKED WITH FOOTBOARD.

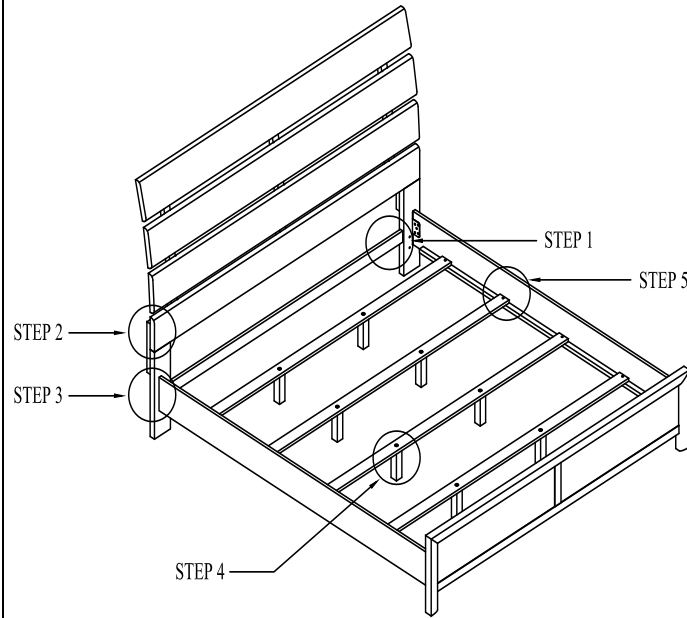
Made In Vietnam

# ASSEMBLY INSTRUCTIONS

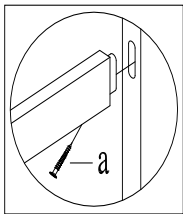
ITEM NO.: 2695&2696-22H/22F/21R  
KING PANEL BED-HAMPTON

Thank you for purchasing this quality product. Be sure to check all packing material carefully for small parts that may have come loose inside the carton during shipment.

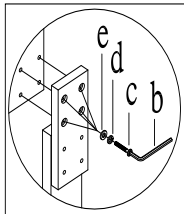
TOOLS REQUIRED (NOT PROVIDED):  
PHILLIPS SCREWDRIVER



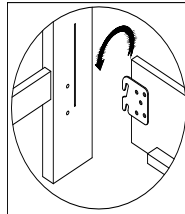
PARTS LIST			
NO.	DESC	SKETCH	Q'TY
A	HEADBOARD		1 PC
B	FOOTBOARD		1 PC
C	BED SIDE RAILS		2 PCS
D	CROSS BAR		1 PC
E	BED SLATS		4 PCS
F	HEADBOARD POST (L + R)		2 PCS
G	SUPPORT LEG		8 PCS



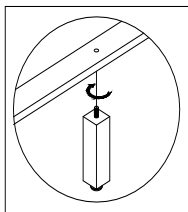
STEP 1



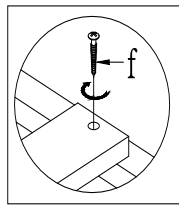
STEP 2



STEP 3



STEP 4



STEP 5

- STEP 1: ATTACH CROSS BAR (D) TO HEADBOARD POST (F) BY USING SCREW (a).  
 STEP 2: ATTACH HEADBOARD POST (F) TO THE HEADBOARD (A) BY USING ALLEN KEY (b), BOLT (c), SPRING WASHER (d) AND FLAT WASHER (e).  
 STEP 3: HANG BED SIDE RAILS (C) TO THE HEADBOARD POST (F) AND FOOTBOARD (B).  
 STEP 4: ATTACH SUPPORT LEG (G) TO SLATS (E) BY TURNING CLOCKWISE.  
 STEP 5: ATTACH SLATS (E) TO SIDE RAILS (C) BY USING SCREW (f).

**IMPORTANT NOTE:**

- HARDWARE BAG FOR HEADBOARD IS PACKED WITH HEADBOARD.
- HARDWARE BAG FOR FOOTBOARD AND SLATS IS PACKED WITH FOOTBOARD.

HARDWARE LIST FOR HEADBOARD				
NO.	DESCRIPTION	SKETCH	SIZE	Q'TY
a	Screw		#8 x 50mm	2 PC
b	Allen Key		4 x 74 x 29mm	1 PC
c	Bolt		φ 1/4" x 15 x 45mm	8 PCS
d	Spring Washer		φ 1/4" x φ 11 x 2mm T	8 PCS
e	Flat Washer		φ 1/4" x φ 18 x 2mm T	8 PCS
g	STRAIGHT ALLEN KEY		4*100mm	1 PC

HARDWARE LIST FOR FOOTBOARD AND SLATS				
NO.	DESCRIPTION	SKETCH	SIZE	Q'TY
f	Screw		#8 x 30mm	8 PCS

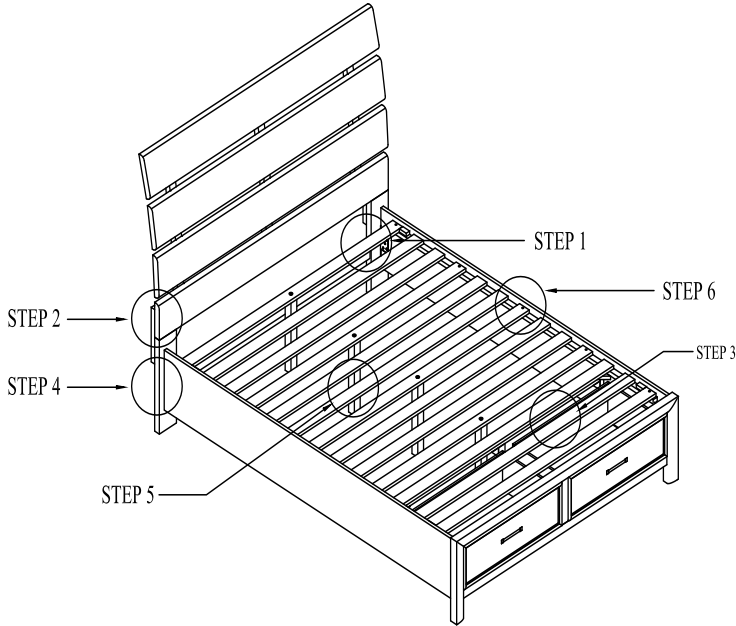
Made In Vietnam

# ASSEMBLY INSTRUCTIONS

ITEM NO.: 2695&2696-21H/49USF/49R  
 QUEEN STORAGE BED-HAMPTON

Thank you for purchasing this quality product. Be sure to check all packing material carefully for small parts that may have come loose inside the carton during shipment.

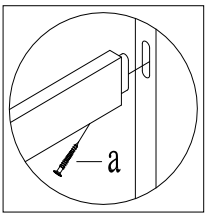
TOOLS REQUIRED (NOT PROVIDED):  
 PHILLIPS SCREWDRIVER



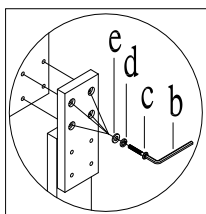
PARTS LIST			
NO.	DESC	SKETCH	Q'TY
A	HEADBOARD		1 PC
B	STORAGE FOOTBOARD		1 PC
C	BED SIDE RAILS		2 PCS
D	CROSS BAR		1 PC
E	BED SLATS ROLL		1 SET
F	HEADBOARD POST (L + R)		2 PCS
G	LONG SUPPORT LEG		4 PCS
H	STORAGE FOOTBOARD SUPPORT LEG		2 PCS

HARDWARE LIST FOR HEADBOARD				
NO.	DESCRIPTION	SKETCH	SIZE	Q'TY
a	Screw		#8 x 50mm	2 PC
b	Allen Key		4 x 74 x 29mm	1 PC
c	Bolt		φ 1/4" x 15 x 45mm	8 PCS
d	Spring Washer		φ 1/4" x φ 11x 2mm T	8 PCS
e	Flat Washer		φ 1/4" x φ 18 x 2mm T	8 PCS
h	STRAIGHT ALLEN KEY		4*100mm	1 PC

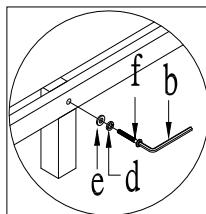
HARDWARE LIST FOR FOOTBOARD AND SLATS				
NO.	DESCRIPTION	SKETCH	SIZE	Q'TY
b	Allen Key		4 x 74 x 29mm	1 PC
d	Spring Washer		φ 1/4" x φ 11x 2mm T	2 PCS
e	Flat Washer		φ 1/4" x φ 18 x 2mm T	2 PCS
f	Bolt		φ 1/4" x 15 x 38mm	2 PCS
g	Screw		#8 x 30mm	10 PCS
HARDWARE	STRAIGHT ALLEN KEY		4*100mm	1 PC



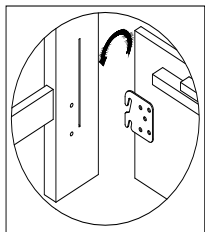
STEP 1



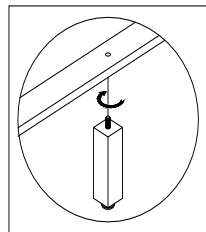
STEP 2



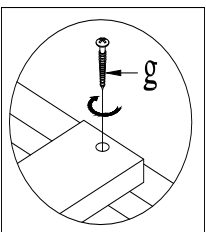
STEP 3



STEP 4



STEP 5



STEP 6

STEP 1: ATTACH CROSS BAR (D) TO HEADBOARD POST (F) BY USING SCREW (a).

STEP 2: ATTACH HEADBOARD POST (F) TO THE HEADBOARD (A) BY USING ALLEN KEY (b), BOLT (c), SPRING WASHER (d) AND FLAT WASHER (e).

STEP 3: ATTACH STORAGE FOOTBOARD SUPPORT LEG (H) TO STORAGE FOOTBOARD (B) BY USING ALLEN KEY (b), BOLT (f), SPRING WASHER (d) AND FLAT WASHER (e).

STEP 4: HANG BED SIDE RAILS (C) TO THE HEADBOARD POST (F) AND FOOTBOARD (B).

STEP 5: ATTACH SUPPORT LEG (G) TO SLATS (E) BY TURNING CLOCKWISE.

STEP 6: ATTACH SLATS (E) TO SIDE RAILS (C) BY USING SCREW (f).

**IMPORTANT NOTE:**

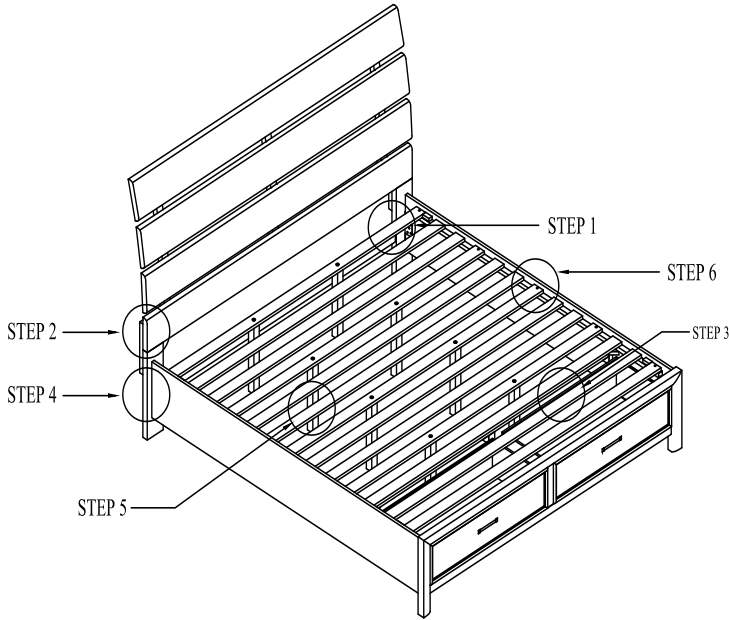
- HARDWARE BAG FOR HEADBOARD IS PACKED WITH HEADBOARD.
- HARDWARE BAG FOR FOOTBOARD AND SLATS IS PACKED WITH FOOTBOARD.

# ASSEMBLY INSTRUCTIONS

ITEM NO.: 2695&2696-22H/50USF/49R  
KING STORAGE BED-HAMPTON

Thank you for purchasing this quality product. Be sure to check all packing material carefully for small parts that may have come loose inside the carton during shipment.

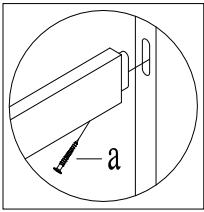
TOOLS REQUIRED (NOT PROVIDED):  
PHILLIPS SCREWDRIVER



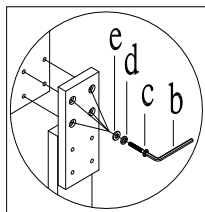
PARTS LIST			
NO.	DESC	SKETCH	Q'TY
A	HEADBOARD		1 PC
B	STORAGE FOOTBOARD		1 PC
C	BED SIDE RAILS		2 PCS
D	CROSS BAR		1 PC
E	BED SLATS ROLL		1 SET
F	HEADBOARD POST (L + R)		2 PCS
G	LONG SUPPORT LEG		8 PCS
H	STORAGE FOOTBOARD SUPPORT LEG		2 PCS

HARDWARE LIST FOR HEADBOARD				
NO.	DESCRIPTION	SKETCH	SIZE	Q'TY
a	Screw		#8 x 50mm	2 PC
b	Allen Key		4 x 74 x 29mm	1 PC
c	Bolt		φ 1/4" x 15 x 45mm	8 PCS
d	Spring Washer		φ 1/4" x φ 11x 2mm T	8 PCS
e	Flat Washer		φ 1/4" x φ 18 x 2mm T	8 PCS
h	STRAIGHT ALLEN KEY		4*100mm	1 PC

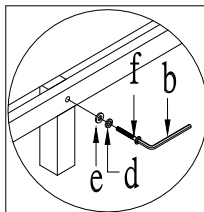
HARDWARE LIST FOR FOOTBOARD AND SLATS				
NO.	DESCRIPTION	SKETCH	SIZE	Q'TY
b	Allen Key		4 x 74 x 29mm	1 PC
d	Spring Washer		φ 1/4" x φ 11x 2mm T	2 PCS
e	Flat Washer		φ 1/4" x φ 18 x 2mm T	2 PCS
f	Bolt		φ 1/4" x 15 x 38mm	2 PCS
g	Screw		#8 x 30mm	10 PCS
HARDWARE	STRAIGHT ALLEN KEY		4*100mm	1 PC



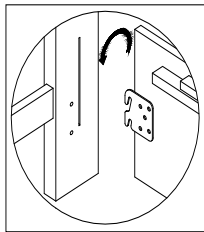
STEP 1



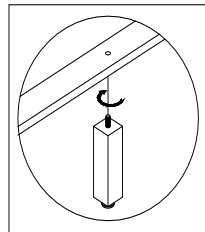
STEP 2



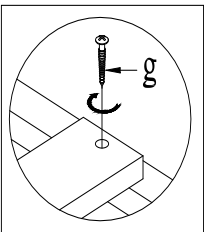
STEP 3



STEP 4



STEP 5



STEP 6

STEP 1: ATTACH CROSS BAR (D) TO HEADBOARD POST (F) BY USING SCREW (a).

STEP 2: ATTACH HEADBOARD POST (F) TO THE HEADBOARD (A) BY USING ALLEN KEY (b), BOLT (c), SPRING WASHER (d) AND FLAT WASHER (e).

STEP 3: ATTACH STORAGE FOOTBOARD SUPPORT LEG (H) TO STORAGE FOOTBOARD (B) BY USING ALLEN KEY (b), BOLT (f), SPRING WASHER (d) AND FLAT WASHER (e).

STEP 4: HANG BED SIDE RAILS (C) TO THE HEADBOARD POST (F) AND FOOTBOARD (B).

STEP 5: ATTACH SUPPORT LEG (G) TO SLATS (E) BY TURNING CLOCKWISE.

STEP 6: ATTACH SLATS (E) TO SIDE RAILS (C) BY USING SCREW (f).

**IMPORTANT NOTE:**

1. HARDWARE BAG FOR HEADBOARD IS PACKED WITH HEADBOARD.
2. HARDWARE BAG FOR FOOTBOARD AND SLATS IS PACKED WITH FOOTBOARD.

Made In Vietnam