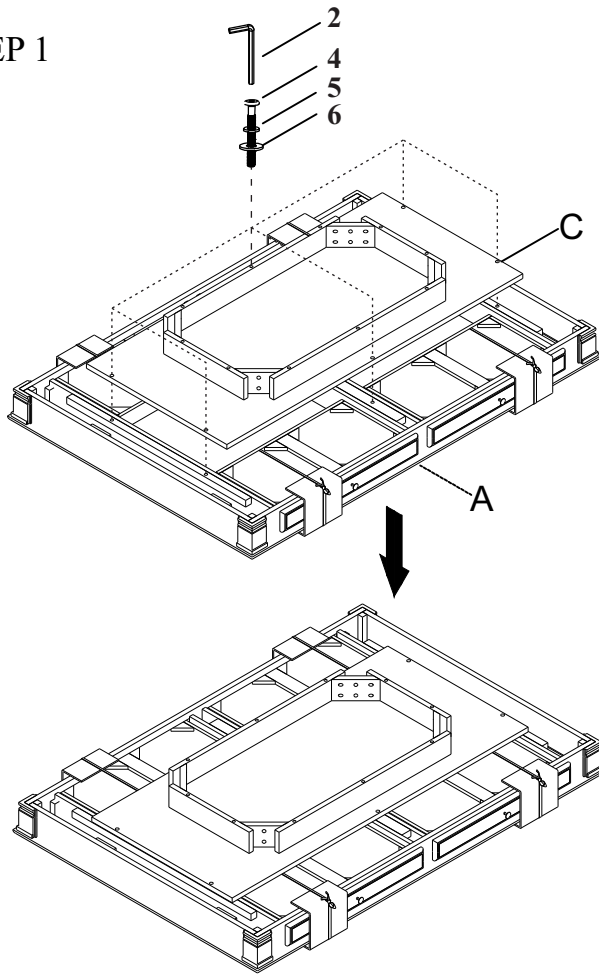




ASSEMBLY INSTRUCTIONS  
 ITEM NO: DVC041 GT / DVC051 GT  
 60X42 KIT ISLD - GLENDALE WHITE/PINE-BLACK/PINE

Thank you for purchasing this quality product. Be sure to check all packing material carefully for small parts that may have come loose inside the carton during shipment.

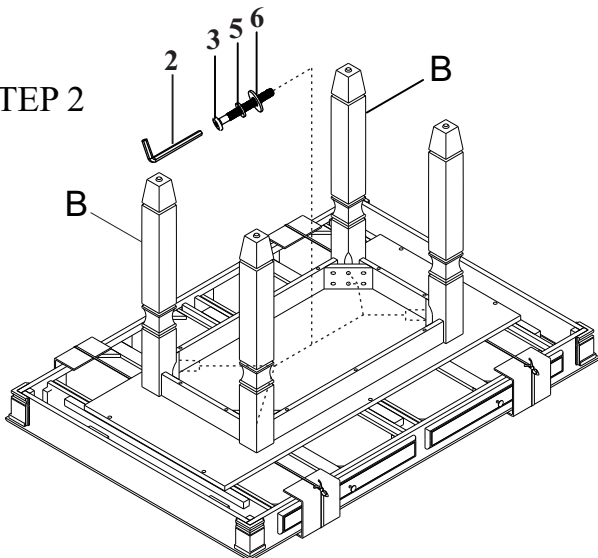
STEP 1



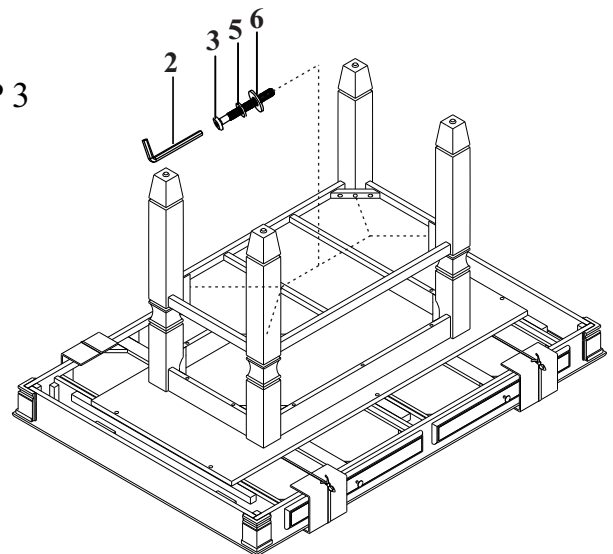
PARTS LIST			
No.	Description	Sketch	Quantity
A	Table Top		1
B	Table Leg		4
C	Connecting Panel		1
D	Shelf Panel		2

HARDWARE LIST				
No.	Description	Sketch	Size	Quantity
1	Allen Key		L80x4mm	1
2	Allen Key		L57x4mm	1
3	Long Bolt		5/16"x65mm	16
4	Short Bolt		5/16"x40mm	6
5	Lock Washer		5/16"x13x1.8mm	22
6	Flat Washer		5/16"x19x1.8mm	22

STEP 2



STEP 3

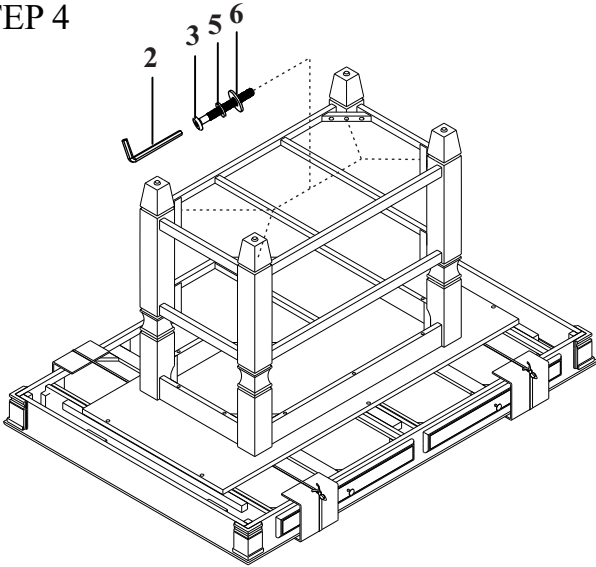




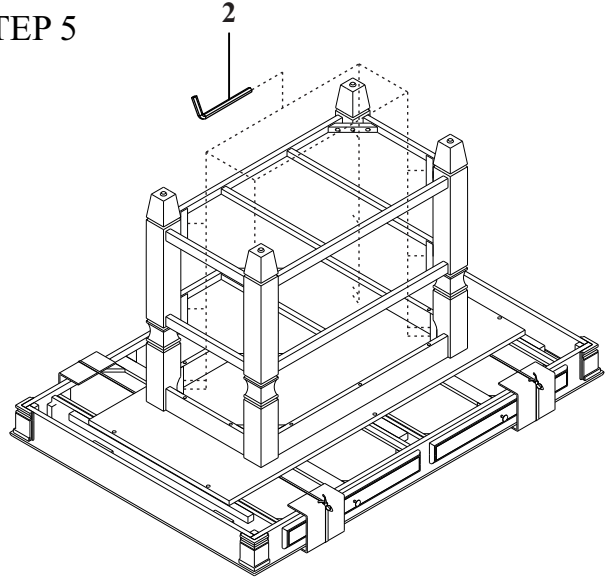
ASSEMBLY INSTRUCTIONS  
ITEM NO: DVC041 GT / DVC051 GT  
60X42 KIT ISLD - GLENDALE WHITE/PINE-BLACK/PINE

Thank you for purchasing this quality product. Be sure to check all packing material carefully for small parts that may have come loose inside the carton during shipment.

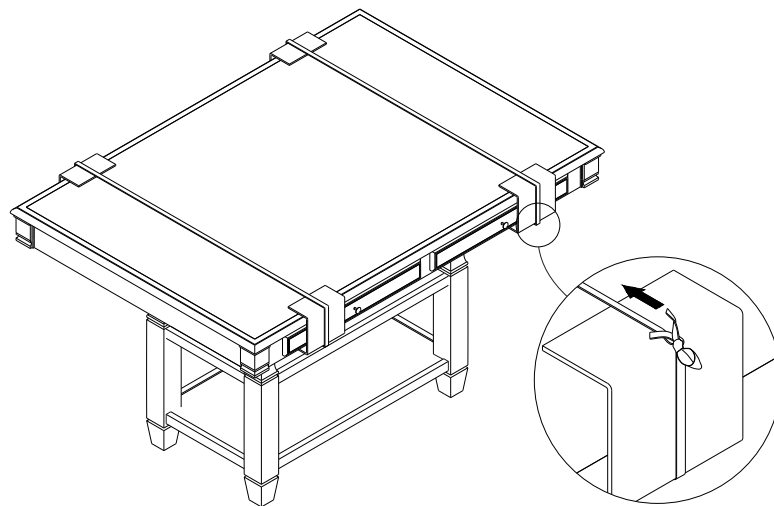
STEP 4



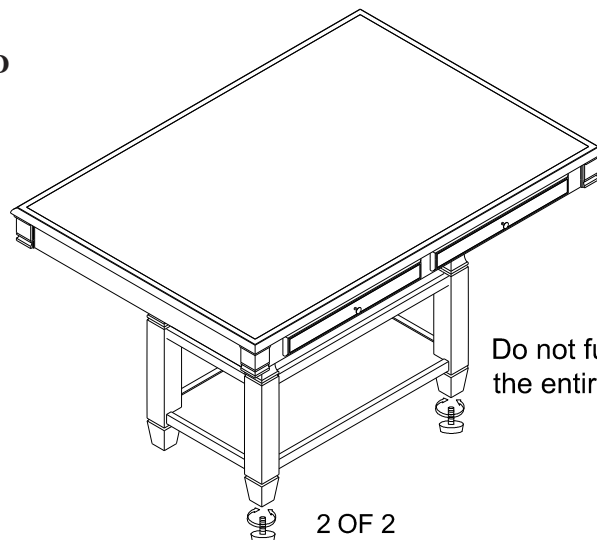
STEP 5



STEP 6



ASSEMBLY COMPLETED



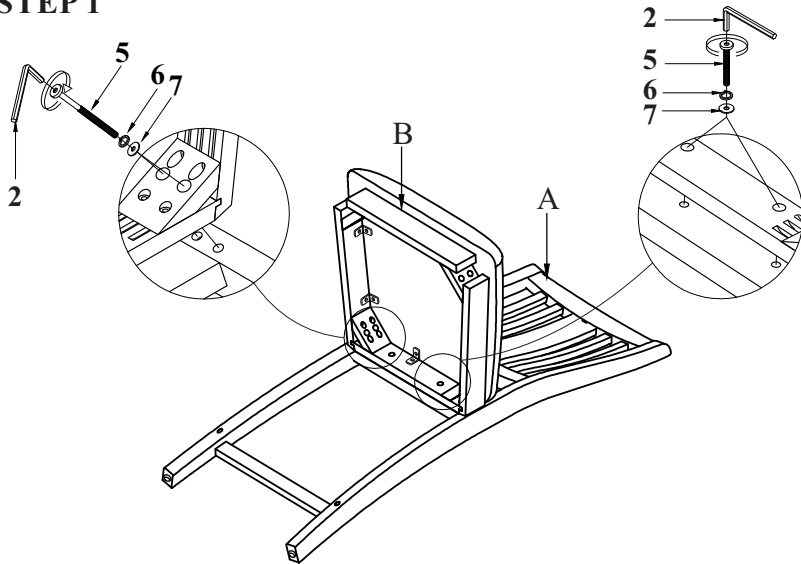
Do not fully tighten all screws and bolts until the entire item is completely assembled.



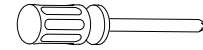
ASSEMBLY INSTRUCTIONS  
 ITEM NO: DVC041 GC / DVC051 GC  
 COUNTER STOOL - GLENDALE WHITE/PINE-BLACK/PINE

Thank you for purchasing this quality product. Be sure to check all packing material carefully for small parts that may have come loose inside the carton during shipment.

**STEP 1**



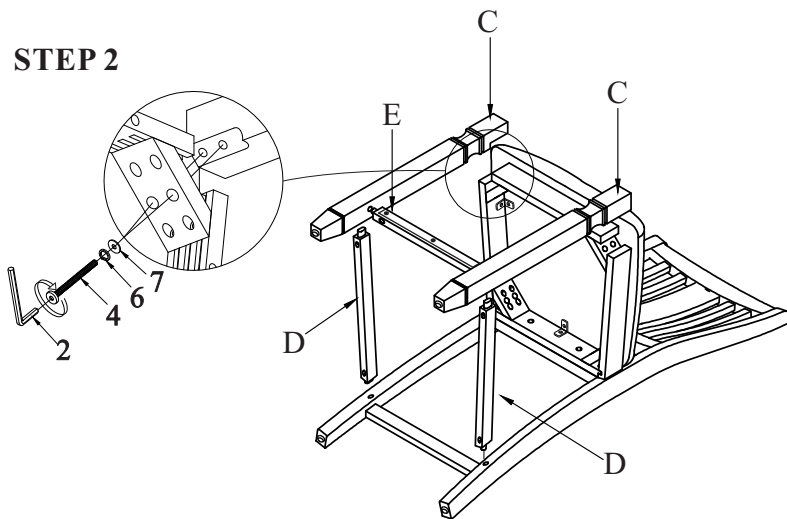
TOOLS REQUIRED (NOT PROVIDED)



**PARTS LIST**

No.	Description	Sketch	Quantity
A	Chair back		1
B	Seat		1
C	Front Leg L/R		2
D	Side Stretcher L/R		2
E	Front Stretcher		1

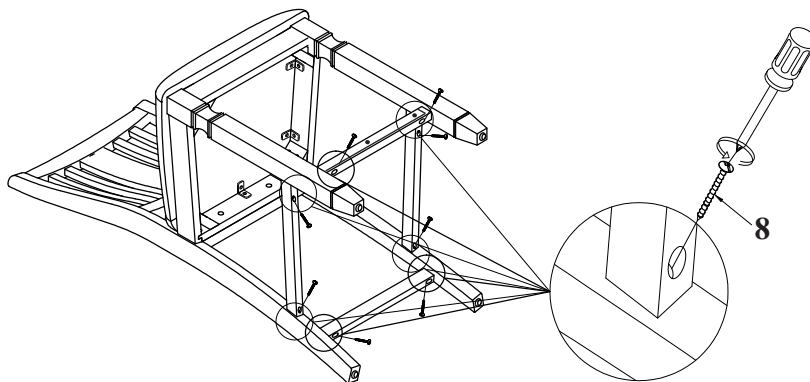
**STEP 2**



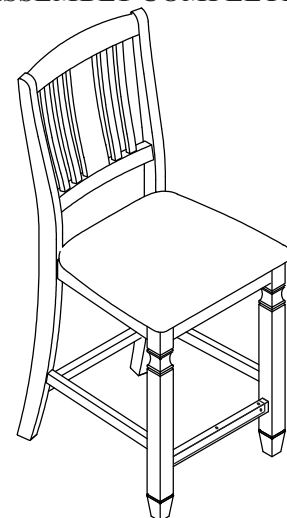
**HARDWARE LIST**

No.	Description	Sketch	Size	Quantity
1	Allen Key		L80x4mm	1
2	Allen Key		L57x4mm	1
3	Short Bolt		1/4"x45mm	2
4	Medium Bolt		1/4"x65mm	4
5	Long Bolt		1/4"x75mm	4
6	Lock Washer		1/4"x13x1.2mm	10
7	Flat Washer		1/4"x19x1.8mm	10
8	Screw		3/16"x38mm	6

**STEP 3**



**ASSEMBLY COMPLETED**



Do not fully tighten all screws and bolts until the entire item is completely assembled.

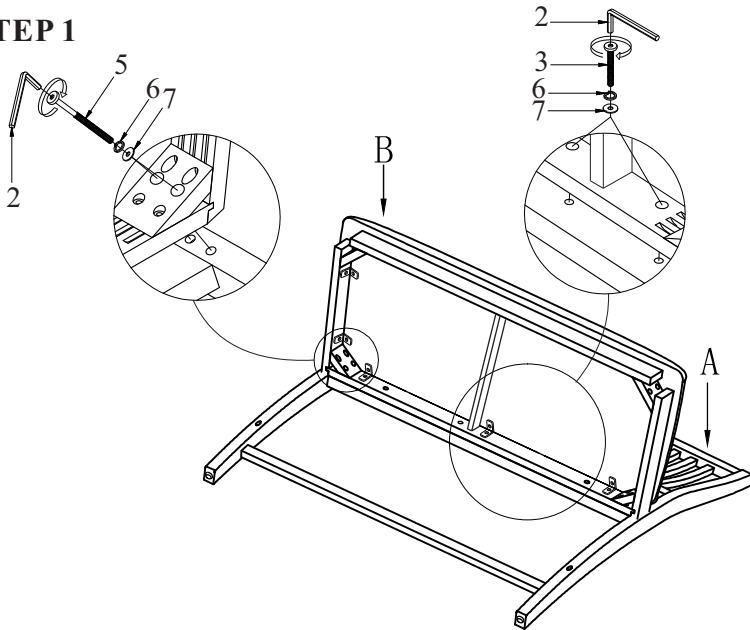
**MADE IN VIETNAM**



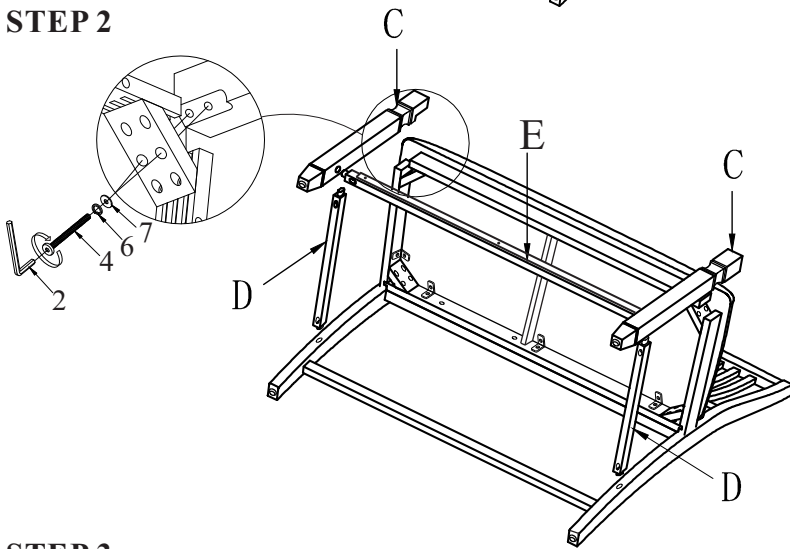
**ASSEMBLY INSTRUCTIONS**  
**ITEM NO: DVC041 GB / DVC051 GB**  
**CNTR HT BENCH - GLENDALE WHITE/PINE-BLACK/PINE**

Thank you for purchasing this quality product. Be sure to check all packing material carefully for small parts that may have come loose inside the carton during shipment.

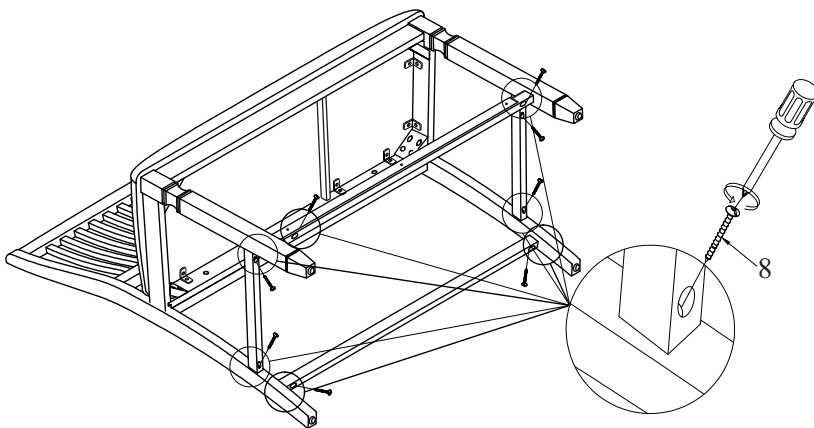
**STEP 1**



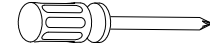
**STEP 2**



**STEP 3**



**TOOLS REQUIRED (NOT PROVIDED)**



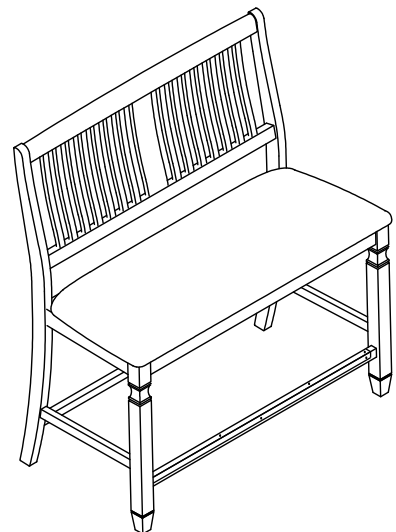
**PARTS LIST**

No.	Description	Sketch	Quantity
A	Bench back		1
B	Seat		1
C	Front Leg L/R		2
D	Side Stretcher L/R		2
E	Front Stretcher		1

**HARDWARE LIST**

No.	Description	Sketch	Size	Quantity
1	Allen Key		L80x4mm	1
2	Allen Key		L57x4mm	1
3	Short Bolt		1/4"x45mm	3
4	Medium Bolt		1/4"x65mm	4
5	Long Bolt		1/4"x75mm	4
6	Lock Washer		1/4"x13x1.2mm	11
7	Flat Washer		1/4"x19x1.8mm	11
8	Screw		3/16"x38mm	6

**ASSEMBLY COMPLETED**



Do not fully tighten all screws and bolts until the entire item is completely assembled.

**MADE IN VIETNAM**