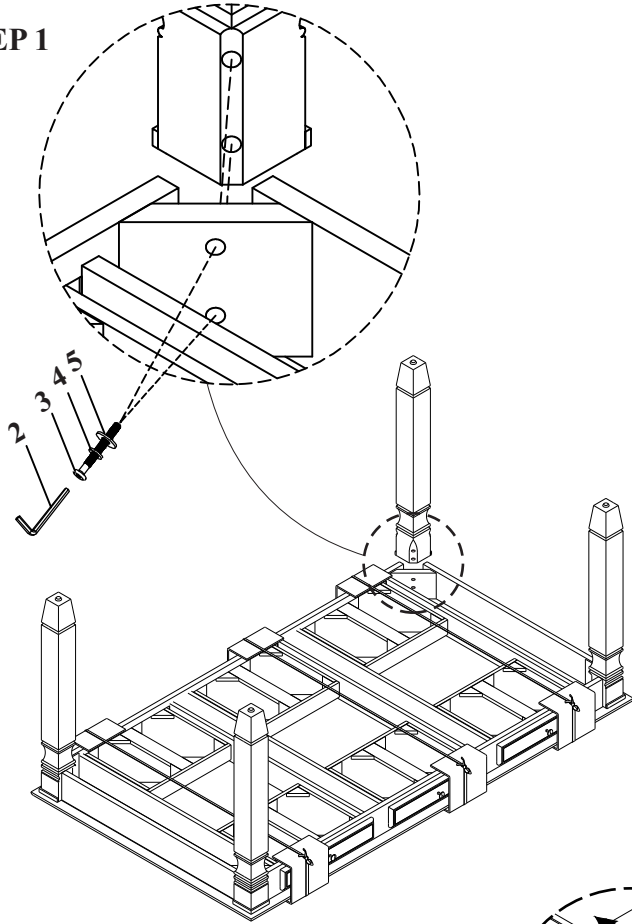


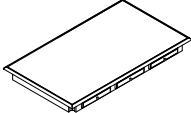
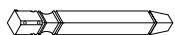







ASSEMBLY INSTRUCTIONS
 ITEM NO: DVC041 DT / DVC051 DT
 66X38 DNG TABLE - GLENDALE WHITE/PINE-BLACK/PINE

Thank you for purchasing this quality product. Be sure to check all packing material carefully for small parts that may have come loose inside the carton during shipment.

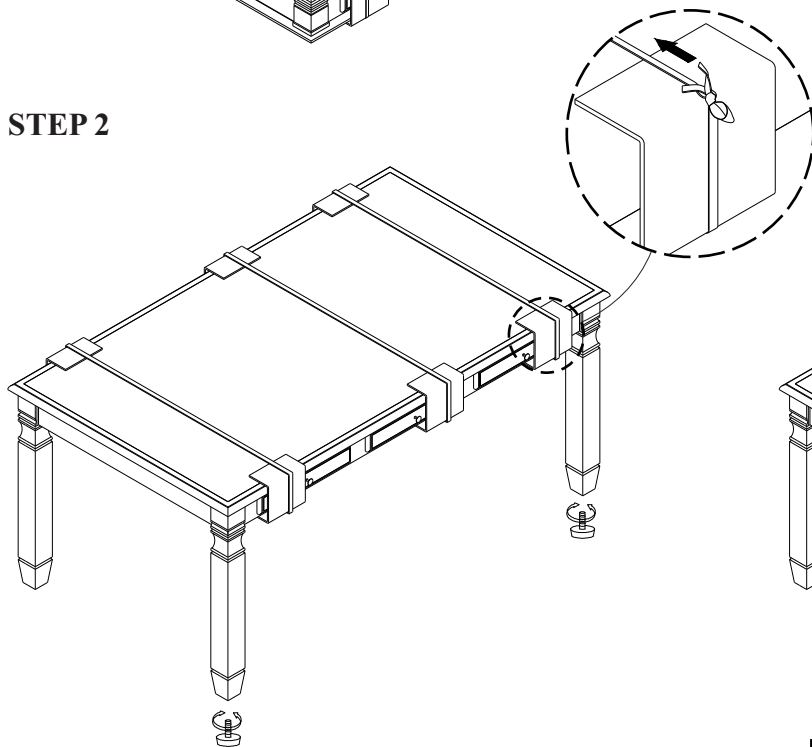
STEP 1



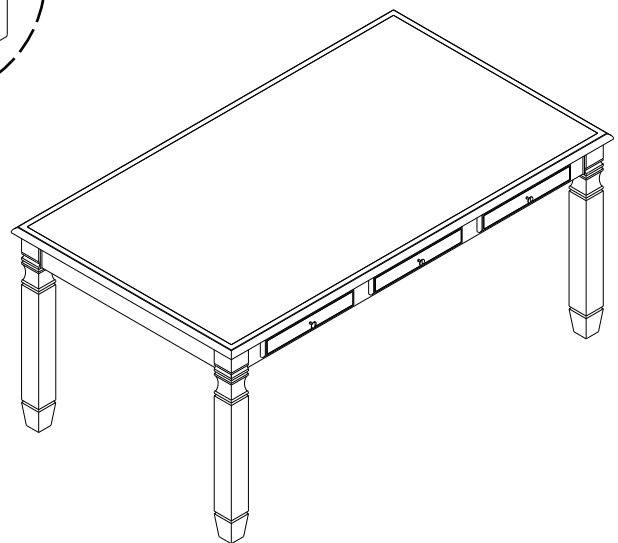
PARTS LIST			
No.	Description	Sketch	Quantity
A	Table Top		1
B	Table Leg		4

HARDWARE LIST				
No.	Description	Sketch	Size	Quantity
1	Allen Key		L80x4mm	1
2	Allen Key		L57x4mm	1
3	Bolt		5/16"x75mm	8
4	Lock Washer		5/16"x13x1.8mm	8
5	Flat Washer		5/16"x19x1.8mm	8

STEP 2



ASSEMBLY COMPLETED



Do not fully tighten all screws and bolts until the entire item is completely assembled.

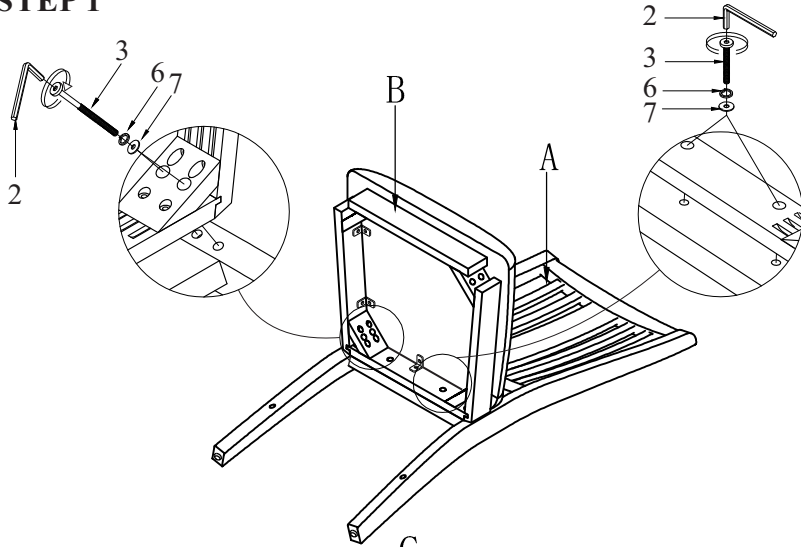
MADE IN VIETNAM



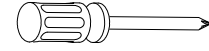
ASSEMBLY INSTRUCTIONS
 ITEM NO: DVC041 DC / DVC051 DC
 SIDE CHAIR - GLENDALE WHITE/PINE - BLACK/PINE

Thank you for purchasing this quality product. Be sure to check all packing material carefully for small parts that may have come loose inside the carton during shipment.

STEP 1



TOOLS REQUIRED (NOT PROVIDED)



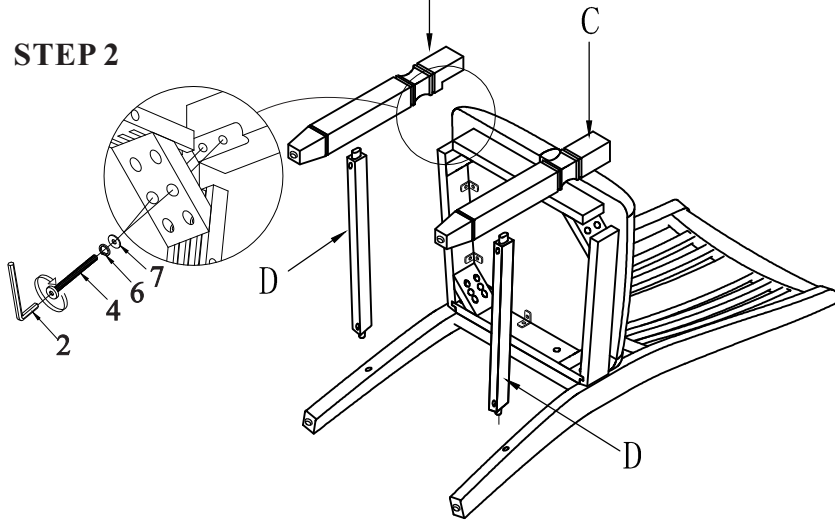
PARTS LIST

No.	Description	Sketch	Quantity
A	Chair back		1
B	Seat		1
C	Front Leg L/R		2
D	Side Stretcher L/R		2

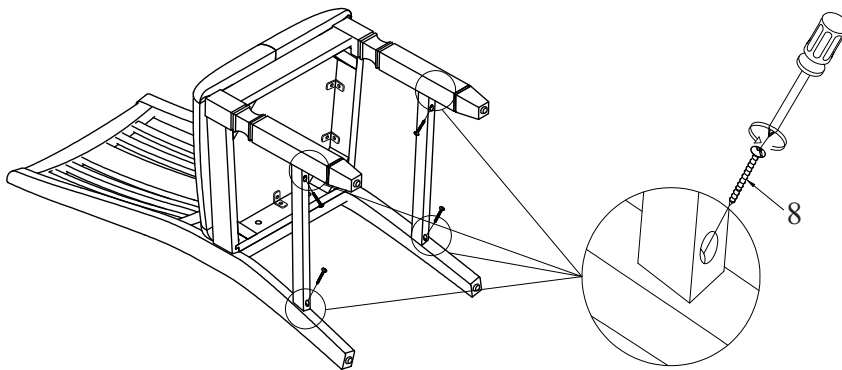
HARDWARE LIST

No.	Description	Sketch	Size	Quantity
1	Allen Key		L80x4mm	1
2	Allen Key		L57x4mm	1
3	Short Bolt		1/4"x45mm	2
4	Medium Bolt		1/4"x65mm	4
5	Long Bolt		1/4"x75mm	4
6	Lock Washer		1/4"x13x1.2mm	10
7	Flat Washer		1/4"x19x1.8mm	10
8	Screw		3/16"x38mm	4

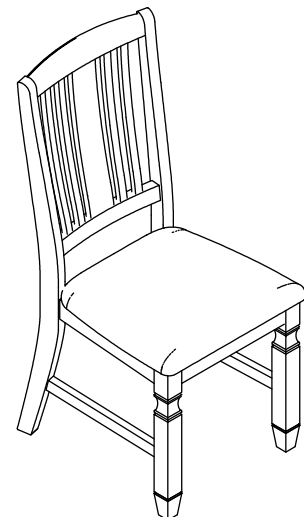
STEP 2



STEP 3



ASSEMBLY COMPLETED



Do not fully tighten all screws and bolts until the entire item is completely assembled.

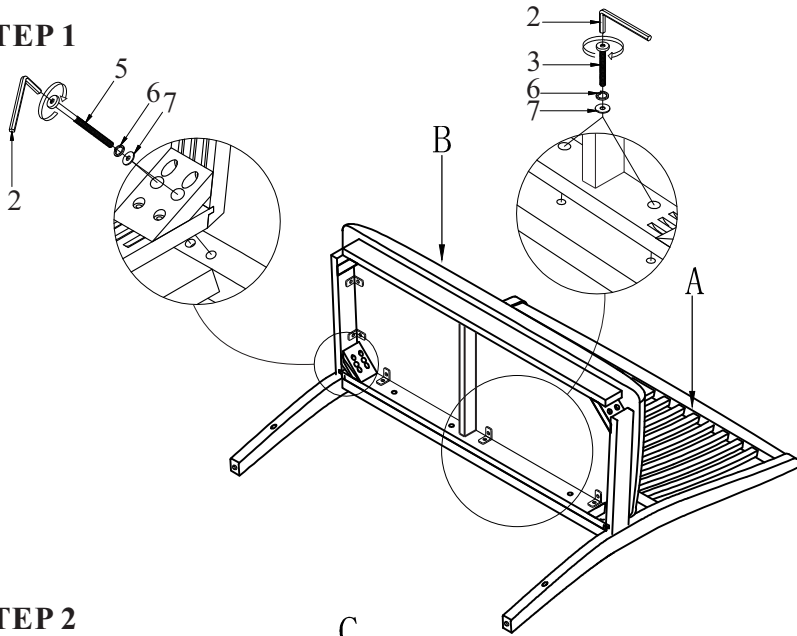
MADE IN VIETNAM



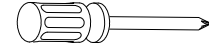
ASSEMBLY INSTRUCTIONS
 ITEM NO: DVC041 DB/DVC051 DB
 DINING HT BENCH - GLENDALE WHITE/PINE - BLACK/PINE

Thank you for purchasing this quality product. Be sure to check all packing material carefully for small parts that may have come loose inside the carton during shipment.

STEP 1



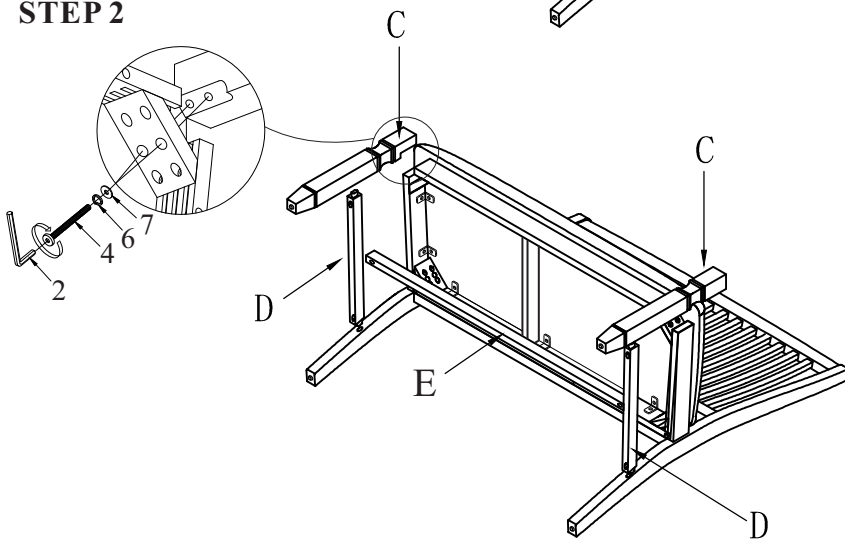
TOOLS REQUIRED (NOT PROVIDED)



PARTS LIST

No.	Description	Sketch	Quantity
A	Bench back		1
B	Seat		1
C	Front Leg L/R		2
D	Side Stretcher L/R		2
E	Center Stretcher		1

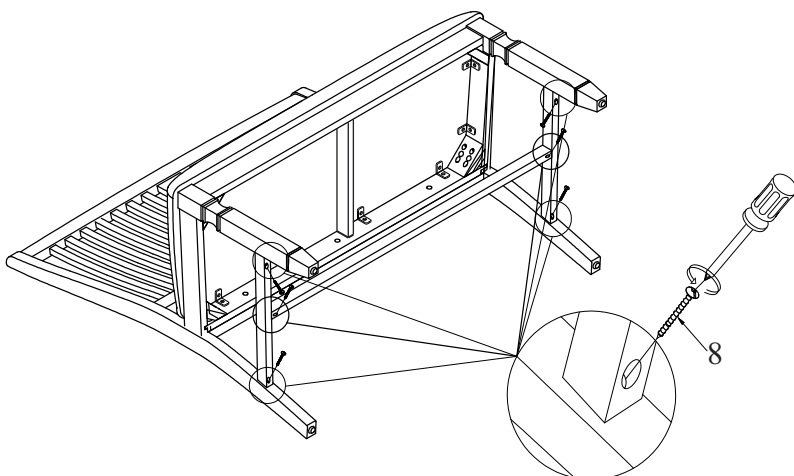
STEP 2



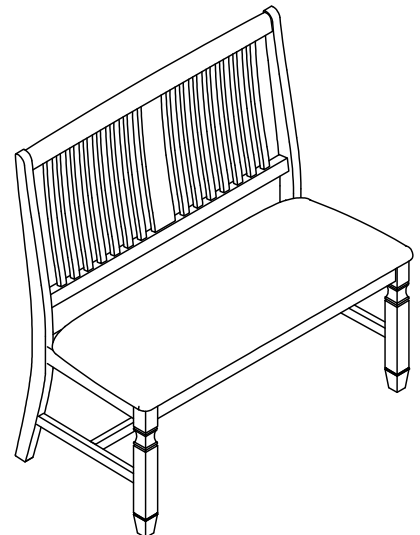
HARDWARE LIST

No.	Description	Sketch	Size	Quantity
1	Allen Key		L80x4mm	1
2	Allen Key		L57x4mm	1
3	Short Bolt		1/4"x45mm	3
4	Medium Bolt		1/4"x65mm	4
5	Long Bolt		1/4"x75mm	4
6	Lock Washer		1/4"x13x1.2mm	11
7	Flat Washer		1/4"x19x1.8mm	11
8	Screw		3/16"x38mm	6

STEP 3



ASSEMBLY COMPLETED



Do not fully tighten all screws and bolts until the entire item is completely assembled.

MADE IN VIETNAM