










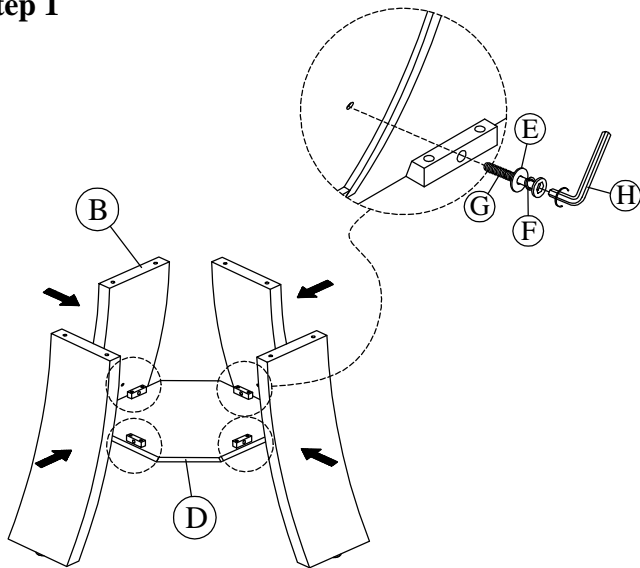
ASSEMBLY INSTRUCTIONS
ITEM NO: DPR500RDT/ DPR300RCDB
DESCRIPTION: ROUND COUNTER HEIGHT TABLE - GEMINI GRAY

Thank you for purchasing this quality product. Be sure to check all packing material carefully for small parts that may have come loose inside the carton during shipment.

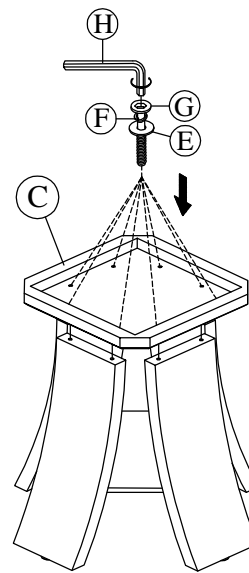
PARTS LIST:			
No.	Sketch	Description	Quantity
A		Table Top	1 Pc
B		Leg	4 Pcs
C		Bottom Shelf	1 Pc
D		Upper Shelf	1 Pc

HARDWARE LIST:				
No.	Sketch	Description	Size	Quantity
E		Washer	5/16"	12 Pcs
F		Spring washer	5/16"	12 Pcs
G		Bolt	5/16"x45mm	12 Pcs
H		Allen key	M4	1 Pc
I		Allen key	M4x75mm	1 Pc

Step 1

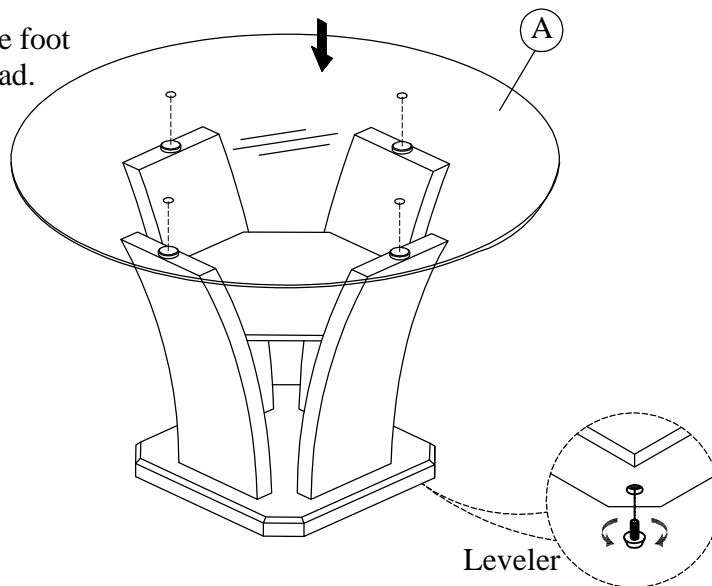


Step 2



Step 3

Adjust the glass end to balance with the foot according to the sticker on the glass head. Remove sticker after assemble done.





ASSEMBLY INSTRUCTIONS

ITEM NO: DPR300CSC

DESCRIPTION: UPH COUNTER HEIGHT STOOL - GEMINI GRAY

Thank you for purchasing this quality product. Be sure to check all packing material carefully for small parts that may have come loose inside the carton during shipment.

TOOLS REQUIRED (NOT PROVIDED)
 Screwdriver

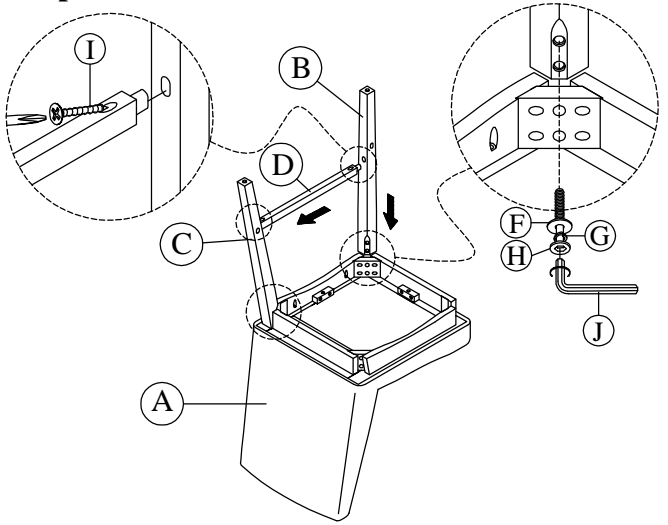
PARTS LIST:

No.	Sketch	Description	Quantity
A		Seat Frame W/Cushion	1 Pc
B		Front Leg L/ R	2 Pcs
C		Back Leg L/ R	2 Pcs
D		Side Stretcher	2 Pcs
E		Back Stretcher	1 Pc
F		Front Stretcher with kick plate	1 Pc

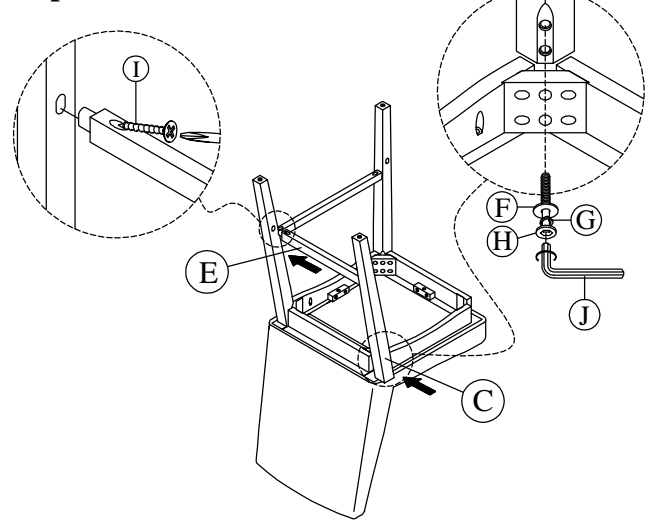
HARDWARE LIST:

No.	Sketch	Description	Size	Quantity
F		Washer	1/4"	8 Pcs
G		Spring washer	1/4"	8 Pcs
H		Bolt	1/4"x60mm	8 Pcs
I		Screw	#4x38mm	8 Pcs
J		Allen key	M4	1 Pc
K		Allen key	M4x75mm	1 Pc

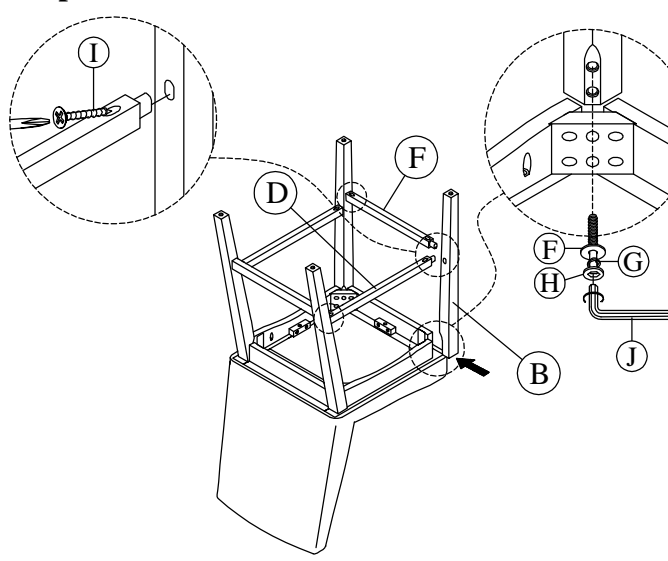
Step 1



Step 2



Step 3



Completed

