

TWIN OVER TWIN AND TWIN OVER FULL
FLYNN STAIRCASE BUNK BED



SAFETY WARNINGS

SAFETY FIRST!

All Bunkbeds were designed and manufactured with **your child's safety as our top priority.**

Their unparalleled strength is a bi-product of the safety design. Our bunks meet all compliance with ASTM F 1427-13 "Standard Consumer Safety Specification for Bunk Beds" and Code of Federal Regulations (CFR) 1213 "Safety Standards for Entrapment Hazards in Bunk Beds" and (CFR)1513 "Requirements for Bunks Bed".

Safety is a cooperative effort between us as the manufacturer, and you as a guardian. **Please read and consider the warnings listed on this page** when choosing a mattress and discussing rules of use with your child.

1. Follow the information on the warnings appearing on the upper Bunk end structure and on the carton. Do not remove warning label from bed.
2. Always use the recommended size mattress or mattress support, or both, to help prevent entrapment or falls.
3. Surface of mattress must be at least 5 inches (127mm) below the upper edge of guardrails.
4. Do not allow children under 6 years of age to use the upper Bunk.
5. Prohibit more than one person on the upper Bunk.
6. Periodically, check and ensure that the guardrail, ladder, and other components are in their proper position, free from damage, and that all connectors are tight.
7. Do not allow horseplay on or under the bed and prohibit jumping on the bed.
8. Always use the ladder for entering and leaving the upper Bunk.
9. Do not use substitute parts. Contact the manufacturer or dealer for replacement parts.
10. Use of a nightlight may provide added safety precaution for a child using the upper Bunk.
11. Always use guardrails on both long sides of the upper Bunk. If bunk bed will be placed next to the wall, the guardrail that runs the full length of the bed should be placed against the wall to prevent entrapment between the bed and wall.
12. The use of water or sleep flotation mattresses is prohibited.
13. **Keep these instructions for future reference.**



STRANGULATION HAZARD

Never attach or hang items to any part of the bunk bed that are not designed for use with the bed; including, but not limited to, hooks, belts and jump ropes.

SIZE OF MATTRESS AND FOUNDATION

Use only mattress which is 74 - 75 inches long and 37½ - 38 ½ inches wide on upper Bunk. Ensure thickness of mattress does not exceed 8 inches and the mattress is at least 5 inches below upper edge of guardrails.



C. TWIN/TWIN STEP BUNK

2184-33007-TTBSG

2184-33007	T/F Bolt Throgh Rails, White	BOX KEY	3X007
7090B	Stair Loft GR/Side Rails, White		B
7090E	Stair Loft Step Side Panels, White *		E
7090F	Stair Loft Stair Step Cabinet, White		F
7090G	Stair Loft Step/Back/Toy Panels, White		G
2184-7090P	Stair Bunk End Panel, White * ^		P
2191-3040	Twin/ Twin Bunk Slat Kit		2191-3040

OPTIONAL

- 2184-33580 Trundle Unit, White * ^
- 2184-33570 Storage Unit, White * ^

2311-34007-TTBSG

2311-34007	T/F Bolt Throgh Rails, Gray	BOX KEY	3X007
2311-4090B	Stair Loft GR/Side Rails, Gray		B
2311-4090E	Stair Loft Step Side Panels, Gray *		E
2311-4090F	Stair Loft Stair Step Cabinet, Gray		F
2311-4090G	Stair Loft Step/Back/Toy Panels, Gray		G
2311-4090P	Stair Bunk End Panel, Gray * ^		P
2191-3040	Twin/ Twin Bunk Slat Kit		2191-3040

OPTIONAL

- 2311-34580 Trundle Unit, Gray * ^
- 2311-34570 Storage Unit, Gray * ^



D. TWIN/FULL STEP BUNK

2184-33007-TFBSG

2184-33007	T/F Bolt Throgh Rails, White	BOX KEY	3X007
7090B	Stair Loft GR/SR, White		B
7090E	Stair Loft Step Side Panels, White *		E
7090F	Stair Loft Stair Step Cabnet, White		F
7090G	Stair Loft Step/Back/Toy Panels, White		G
2184-7090P	Stair Bunk End Panel, White * ^		P
2191-3050	Twin/ Full Bunk Slat Pack		2191-3050
2184-7443	Extension Kit, White *		X443

OPTIONAL

- 2184-33580 Trundle Unit, White * ^
- 2184-33570 Storage Unit, White * ^

2311-34007-TFBSG

2311-34007	T/F Bolt Throgh Rails, Gray	BOX KEY	3X007
2311-4090B	Stair Loft GR/SR, Gray		B
2311-4090E	Stair Loft Step Side Panels, Gray *		E
2311-4090F	Stair Loft Stair Step Cabinet Gray		F
2311-4090G	Stair Loft Step/Back/Toy Panels, Gray		G
2311-4090P	Stair Bunk End Panel, Gray * ^		P
2191-3050	Twin/ Full Bunk Slat Pack		2191-3050
2311-4443	Extension Kit, Gray *		X443

OPTIONAL

- 2311-34580 Trundle Unit, Gray * ^
- 2311-34570 Storage Unit, Gray * ^

* Carton Contains Hardware Pack
 ^ Carton Contains Assembly Instructions

FLYNN STAIRCASE BUNK BED

INTRODUCTION

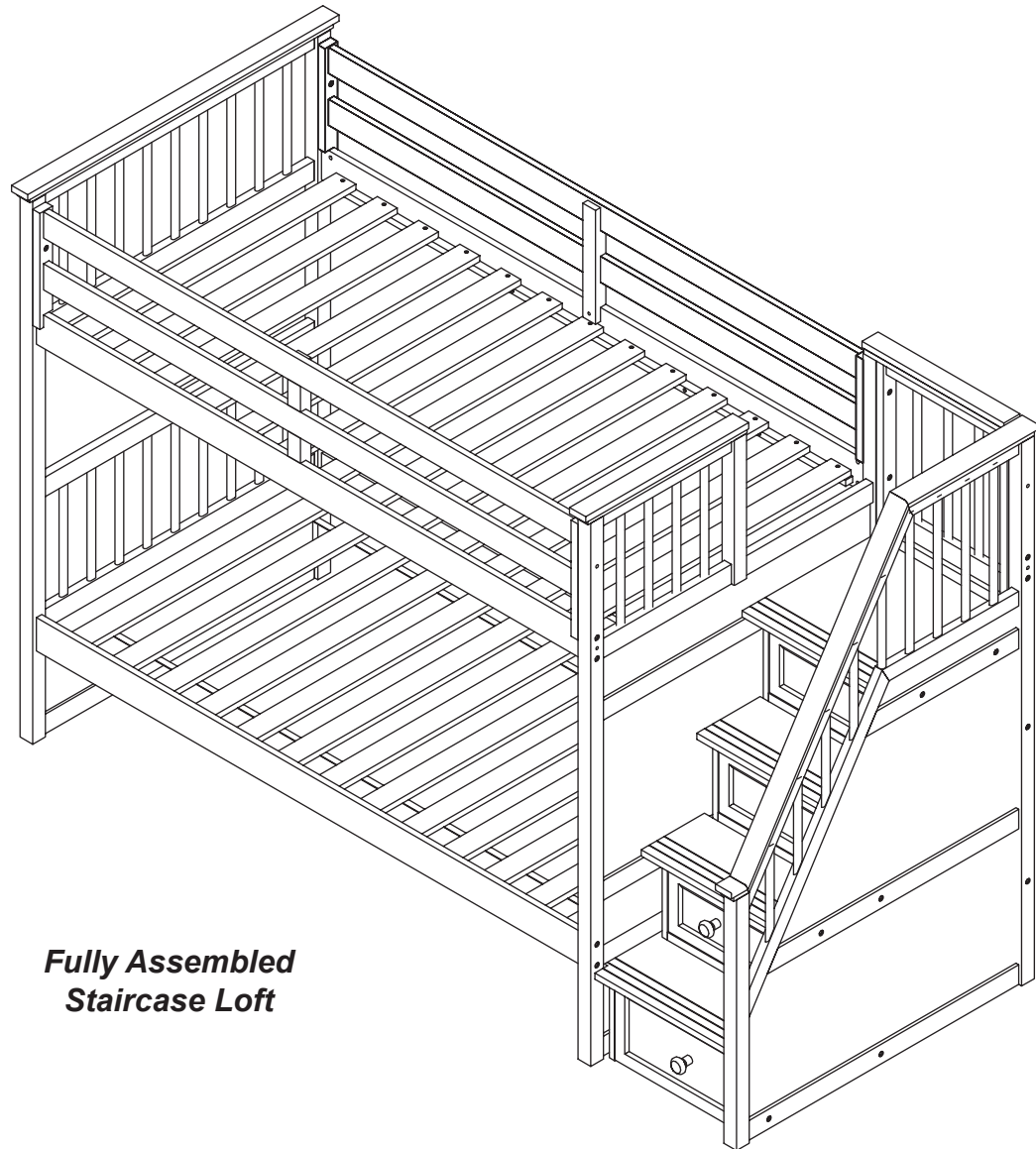
Enclosed please find simple step-by-step instructions to help you quickly assemble your product. Before you begin, we recommend that you follow the steps below.

1. Please read the instructions thoroughly
2. Identify all parts and hardware
3. Gather the tool(s) necessarily
4. 2 adults required for assembly

To protect your parts during assembly, please place them on a soft surface. To clean surface, use only water on a damp cloth. Do not use window cleaners or cleaning abrasives as it will scratch the surface and could damage the protective coating.

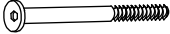
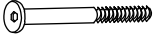
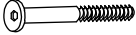
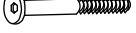

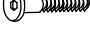



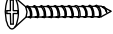
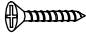


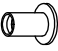


CUSTOMER SUPPORT

If you are missing parts or need assistance with your product, please contact the retailer from whom you purchased the product. When you call or email, please include the Product's Item Number and PO Number which is located on the Production Tracking Sticker. This sticker can be found on the bottom, inside or back of your product.

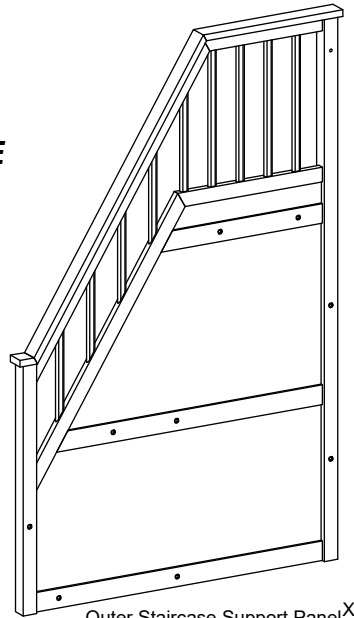


**Fully Assembled
Staircase Loft**

PARTS LIST

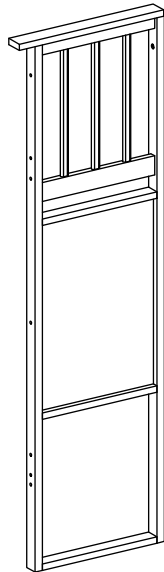
A		Ø1/4-20x105mm Bolts X 4
B		Ø1/4-20x90mm Bolts X 14
C		Ø1/4-20x60mm Bolts X 12
D		Ø1/4-20x40mm Bolts X 4
E		Ø1/4-20x35mm Bolts X 22
G		Ø1/4-20x20mm Bolts X 4
H		Barrel Nuts X 26
I		1/4 Spring Washer X 4
J		1/4 Flat Washer X 4
M		Ø4x30mm Wood Screws X 54
P		Ø4x15mm Wood Screws X 8
Q		Ø10 x 40mm Wood Dowels X 8
T		Bracket X 2
U		T-Nuts X 4
V		Allen Wrench X 2
W		Straight Allen Wrench X 1

1
Box E



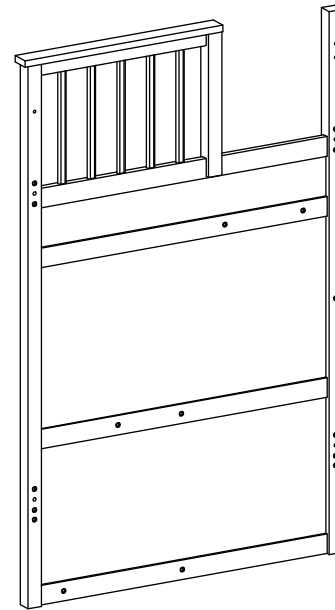
Outer Staircase Support Panel^X
1

2
Box G



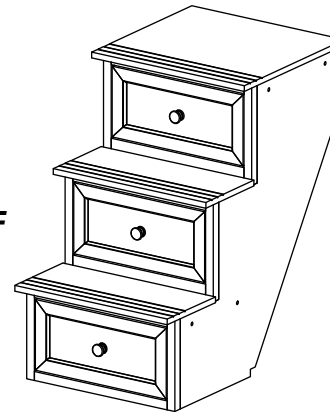
Staircase Support Panel
X 1

3
Box E



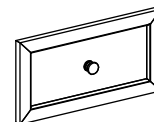
Inner Staircase Support Panel
X 1

4
Box F



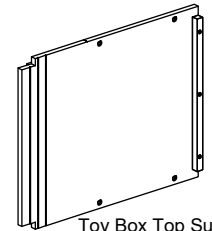
Staircase/Drawers
X 1

5
Box G



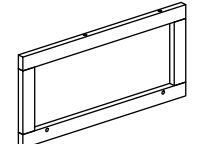
Toy Box Front
X 1

6
Box G



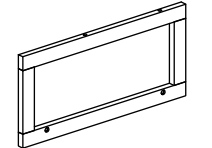
Toy Box Top Support
X 1

7.1
Box G



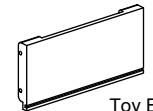
Toy Box Left Side Support
X 1

7.2
Box G



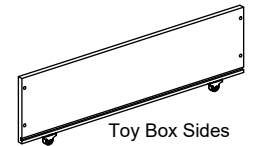
Toy Box Right Side Support
X 1

8
Box G



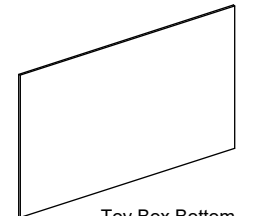
Toy Box Back
X 1

9
Box G



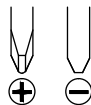
Toy Box Sides
X 2

10
Box G



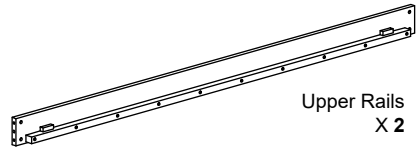
Toy Box Bottom
X 1

Other Tools Required
(Not Included)
.Phillips Screwdriver
.Flathead Screwdriver

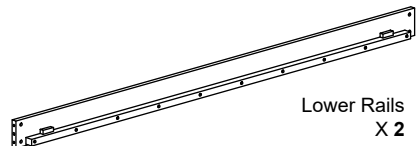


PARTS LIST (CONTINUED)

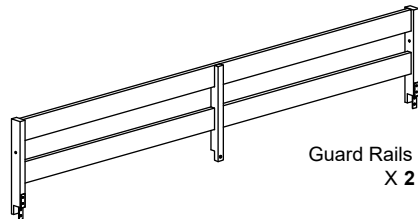
22
Box B



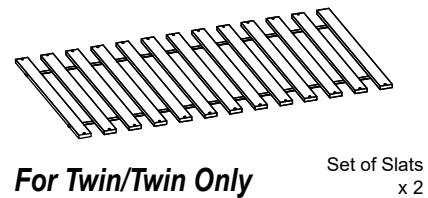
39
Box -3X007



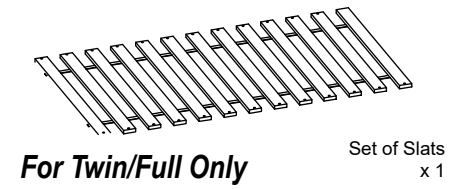
23



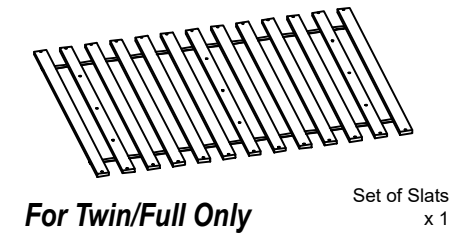
34
2191-3040



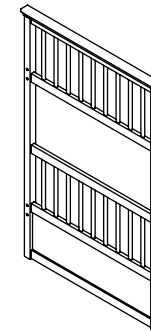
35.1
2191-3050



35.2
2191-3050



36
Box P



37
Box -x443



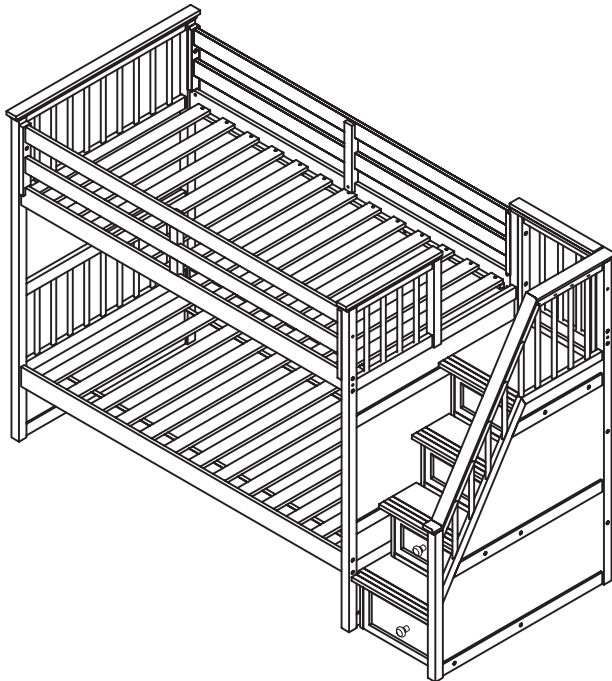
38
Box -x443



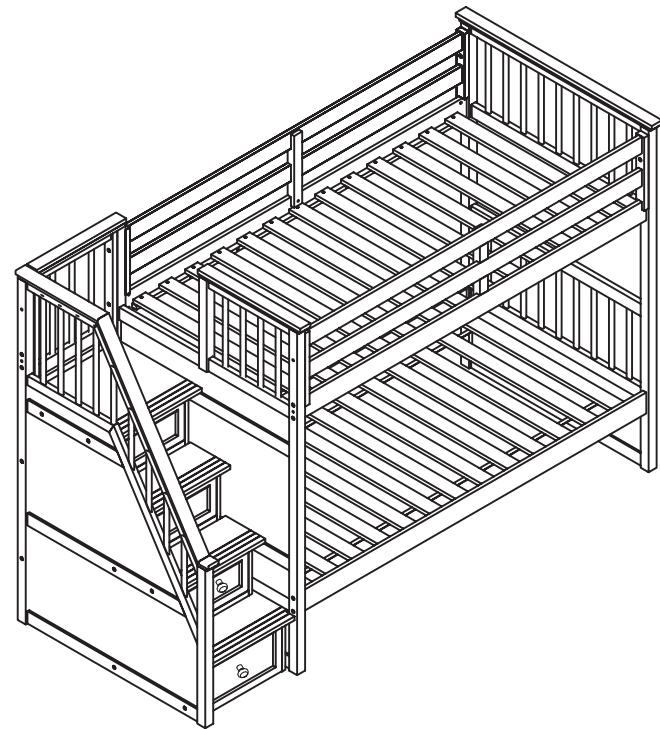


NOTE: Before beginning assembly, decide exactly where the bed is to be placed and on which ends you would like the the Desk and Staircase. Both the Staircase and Desk can be placed at either end and reversed. See below.

For **right-hand** side Staircase assembly, please start at **Step 1 on Page 7.**



For **left-hand** side Staircase assembly, please skip to **Step 1A on Page 10.**

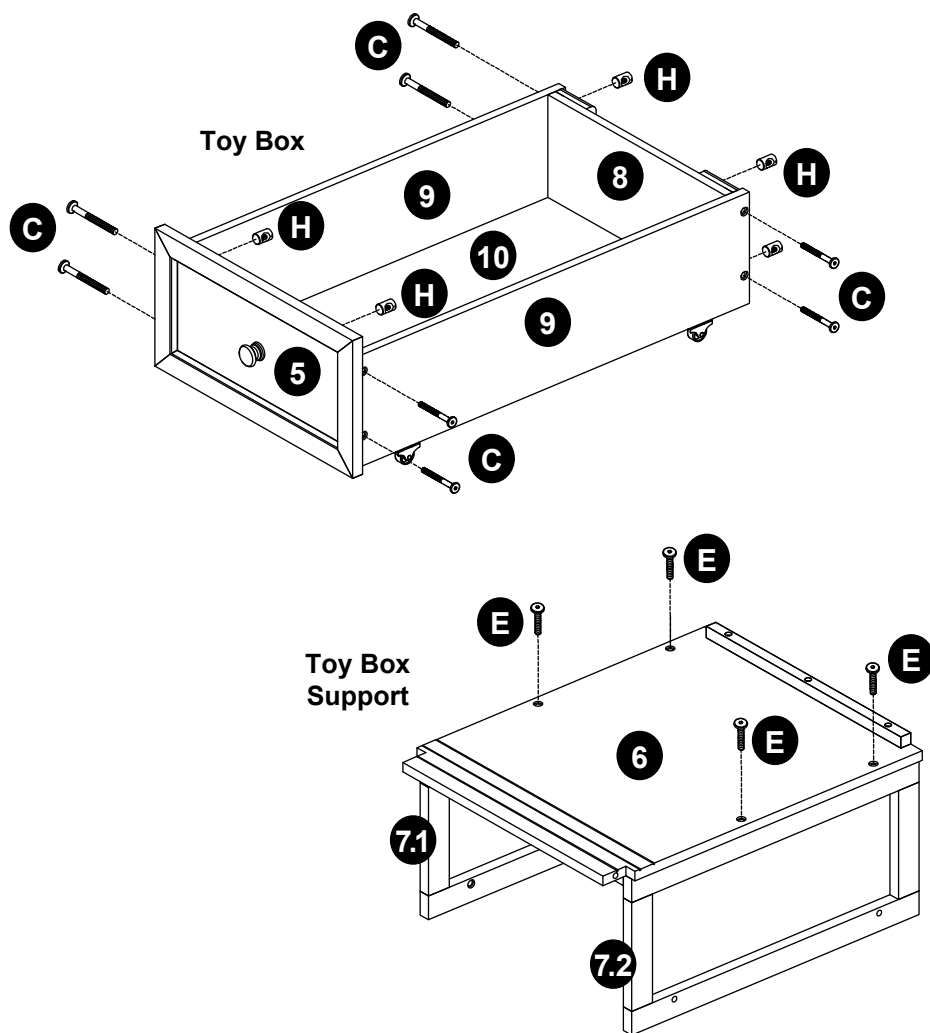


Open Boxes E, F, and G for Steps 1- 4

STEP 1

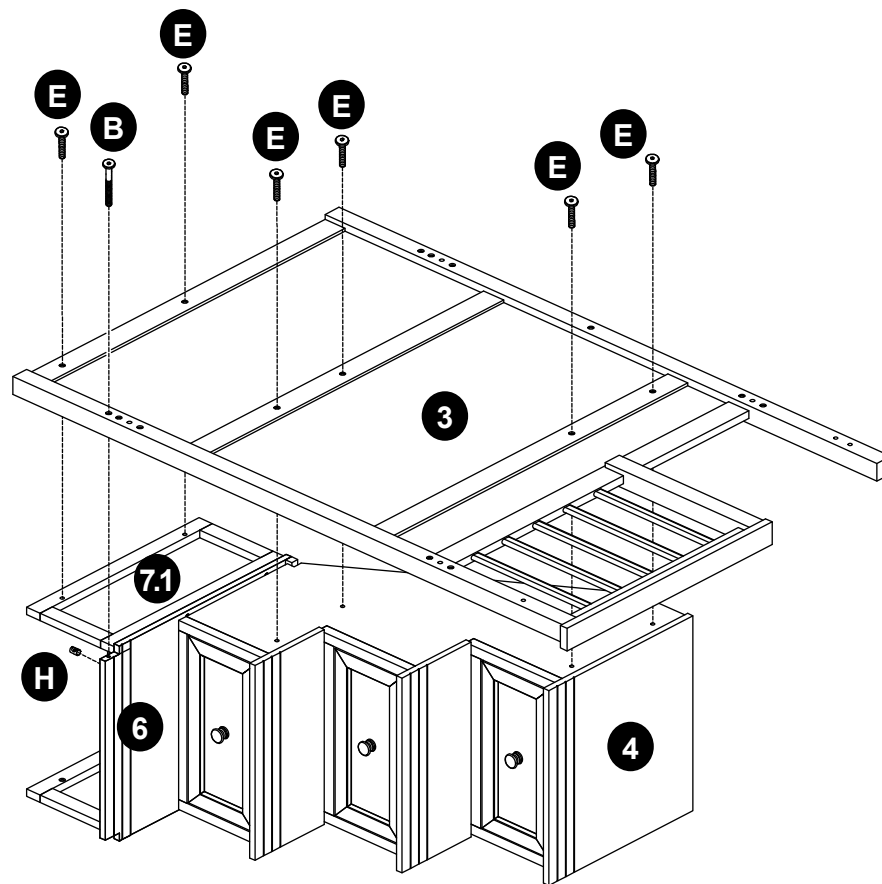
Steps 1-5: Right-hand Staircase assembly

Assembly Toy Box and Support



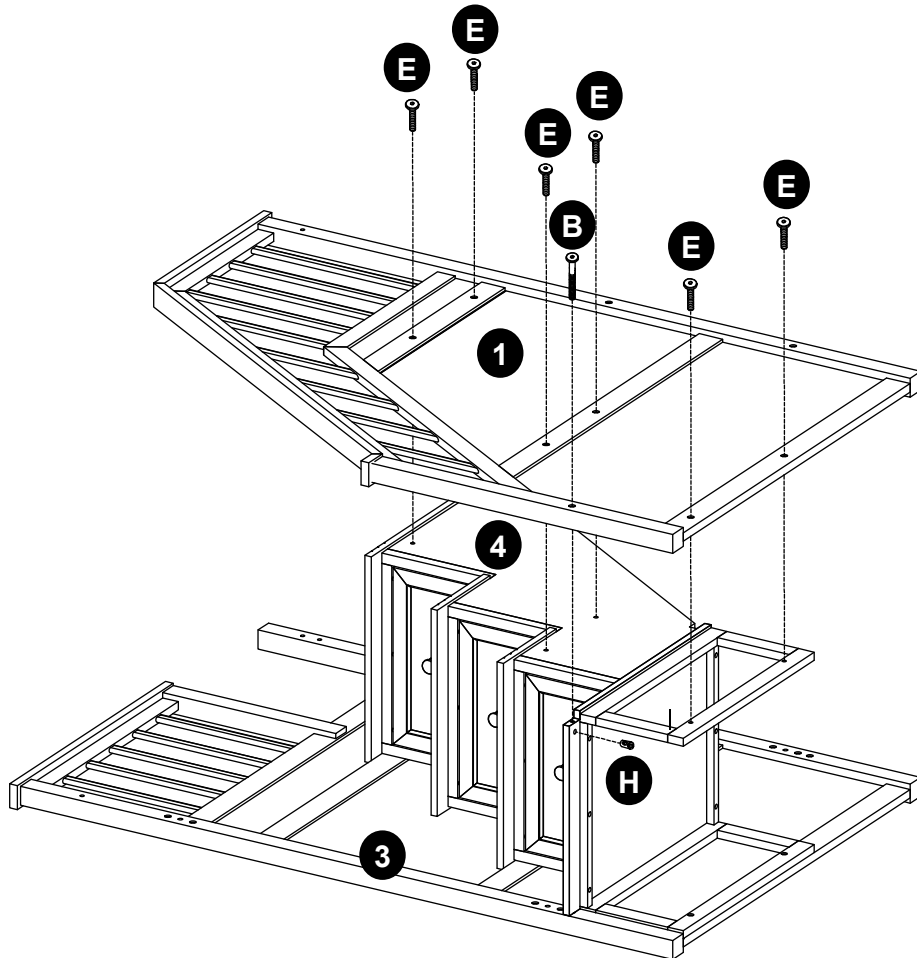
STEP 2

Lay Staircase/Drawers flat on its side with drawer fronts facing you and the top facing right. Put Toy Box Support in place with the lip catching the notch at the bottom of Staircase as shown. Gently lower and attach Inner Staircase Support Panel making sure to align the open side with the top stair. *Be careful not to scratch the finish while positioning the panel*, this damage would not be covered under the warranty. We recommend two adults for this step.



STEP 3

Turn partially assembled Staircase over then gently lower and attach the Outer Staircase Support Panel. *Again, be careful not to scratch the finish while positioning the panel, this damage would not be covered under the warranty. We recommend two adults for this step.*

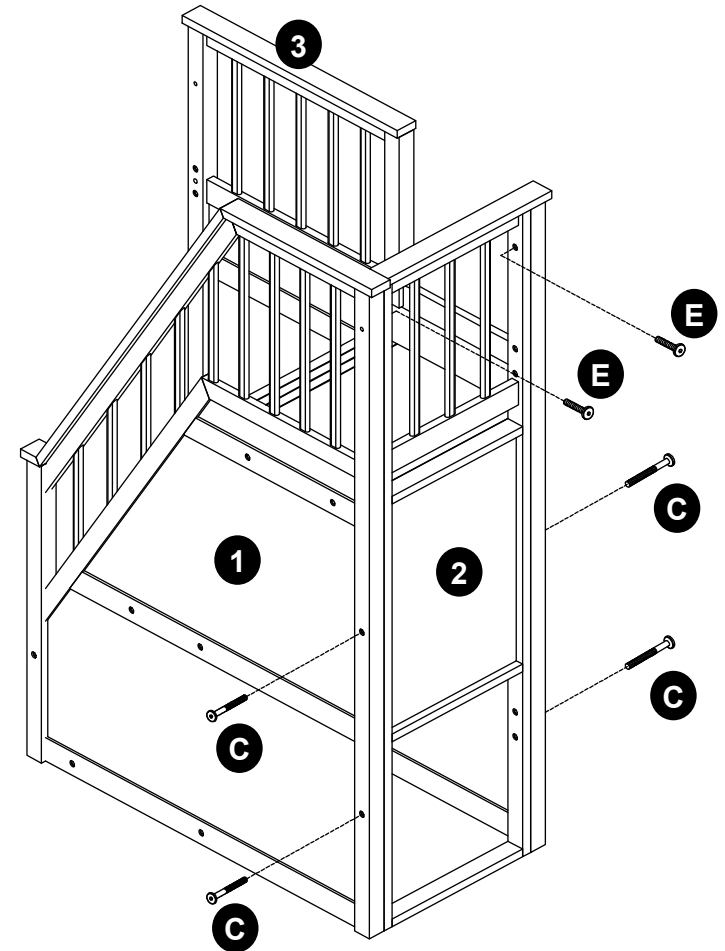


STEP 4

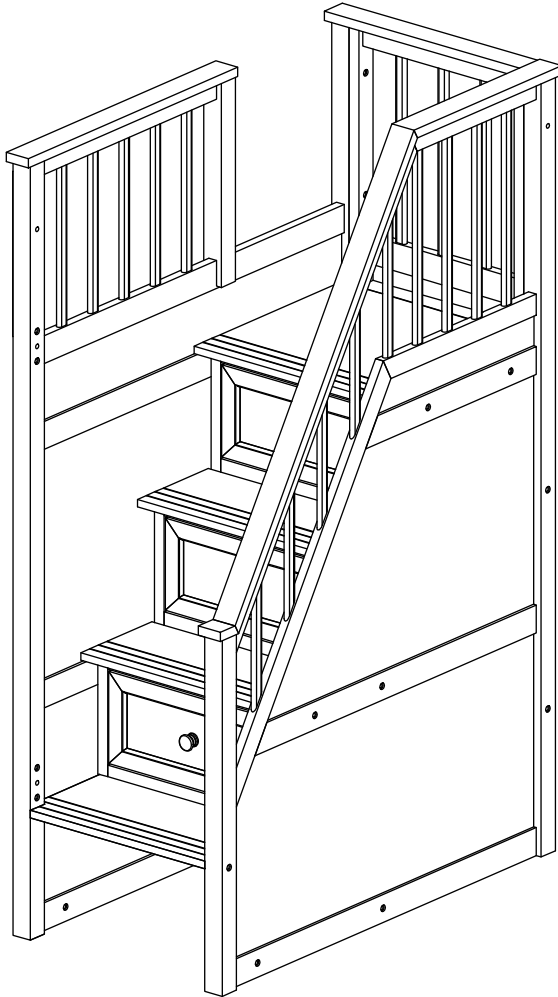
With two Adults, lift stair case up.

STEP 5

Stand Staircase upright and attach Back Staircase Support Panel.



With two adults, lift the Staircase into desired position.

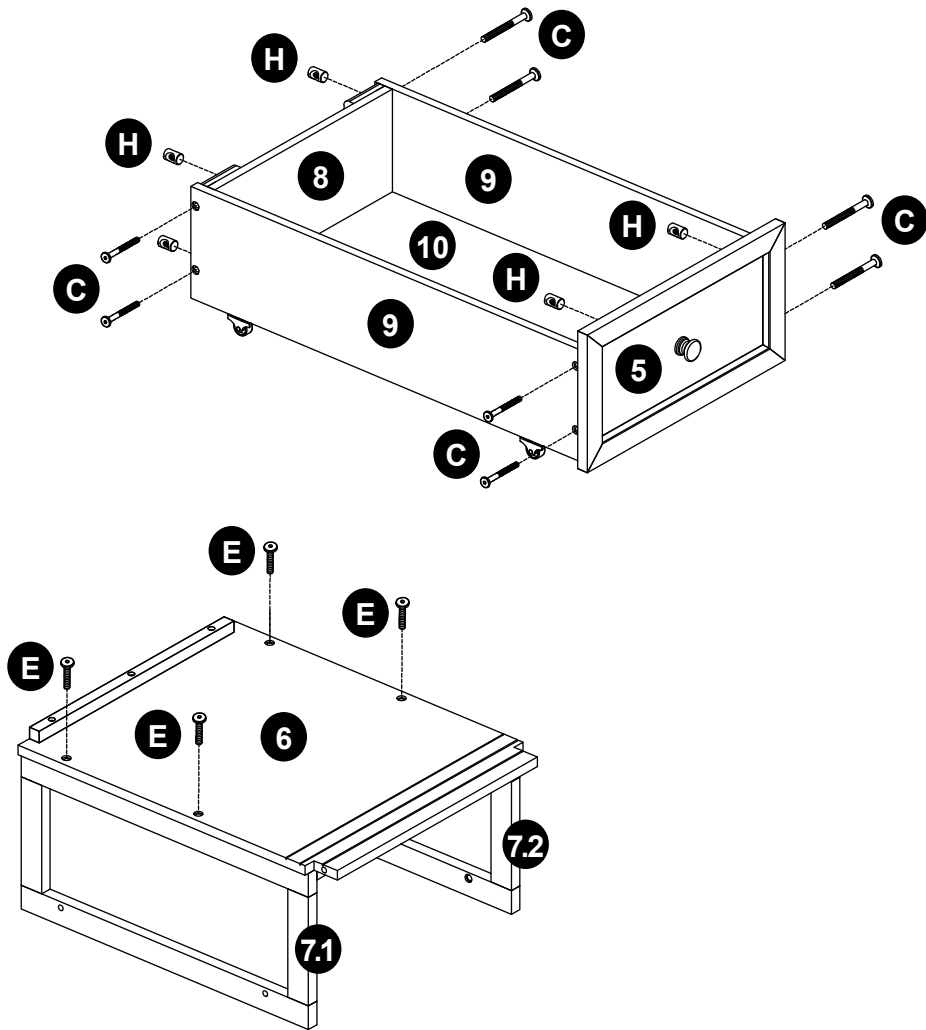


Skip to Step 6 on Page 12

Open Boxes E, F, and G for Steps 1A- 4A

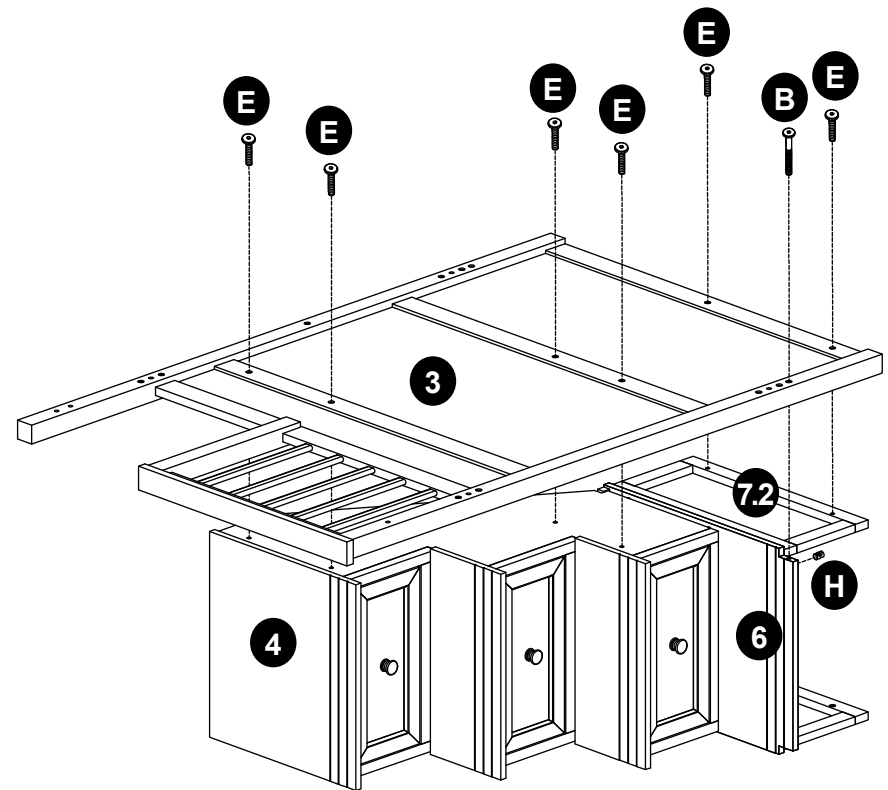
STEP 1A Steps 1A-5A: Right-hand Staircase assembly

Assembly Toy Box and Support



STEP 2A

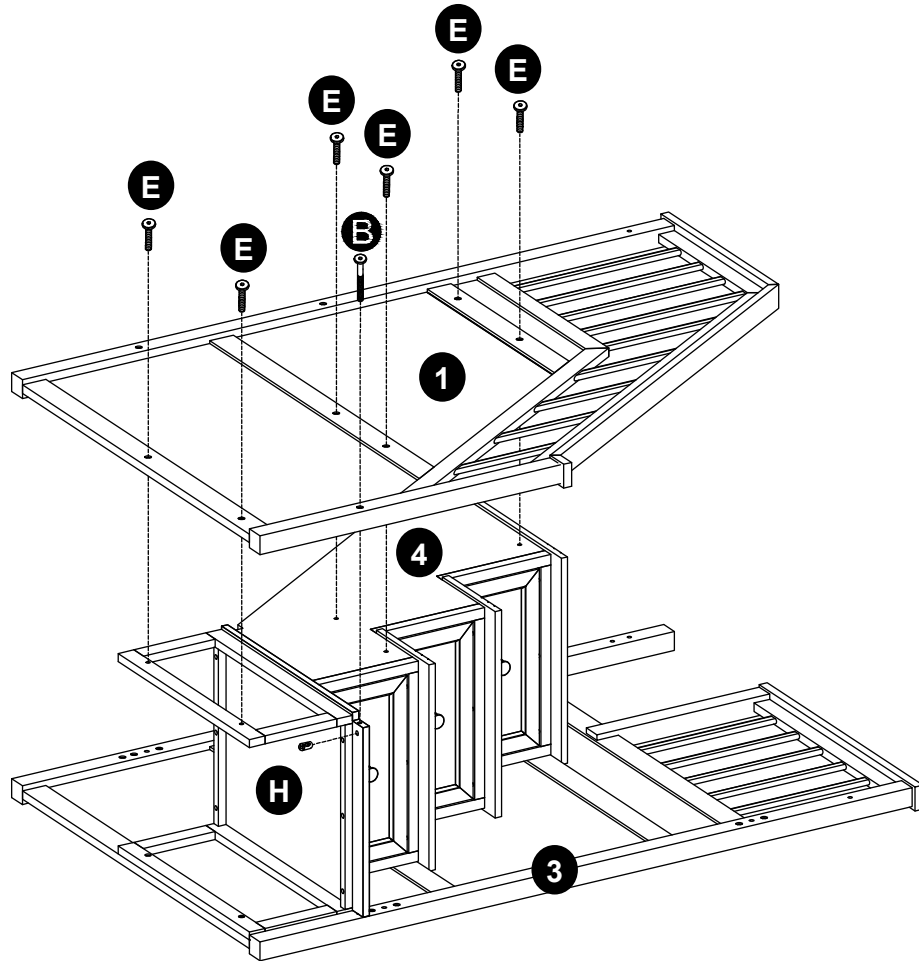
Lay Staircase/Drawers flat on its side with drawer fronts facing you and the top facing right. Put Toy Box Support in place with the lip catching the notch at the bottom of Staircase as shown. Gently lower and attach Inner Staircase Support Panel making sure to align the open side with the top stair. *Be careful not to scratch the finish while positioning the panel, this damage would not be covered under the warranty.* We recommend two adults for this step



Left Side Stair Assembly

STEP 3A

Turn partially assembled Staircase over then gently lower and attach the Outer Staircase Support Panel. Again, be careful not to scratch the finish while positioning the panel, this damage would not be covered under the warranty. We recommend two adults for this step.

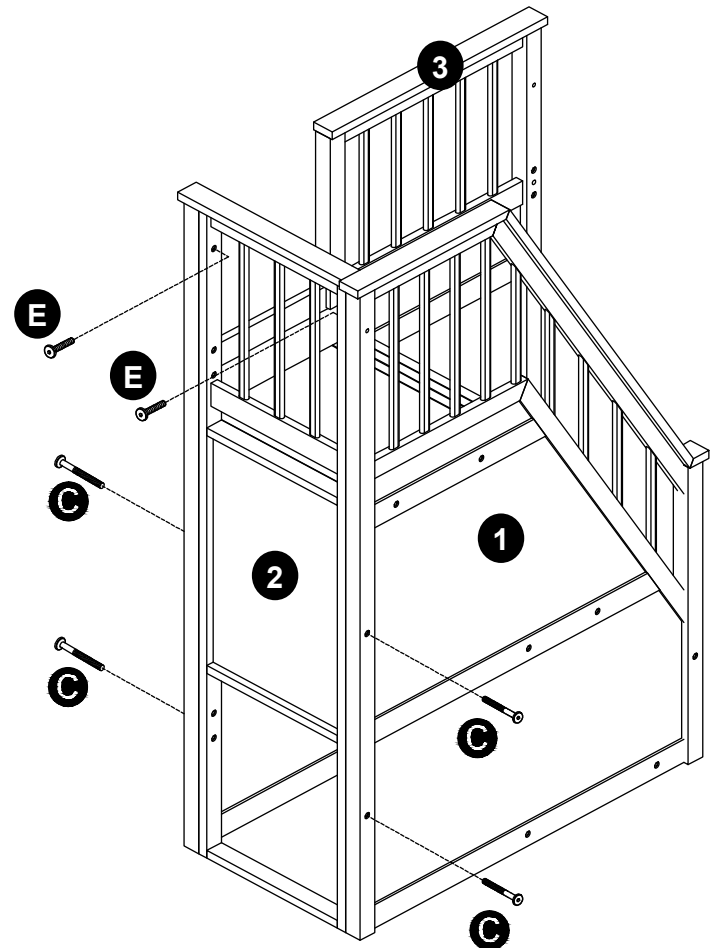


STEP 4A

With two Adults, lift stair case up.

STEP 5A

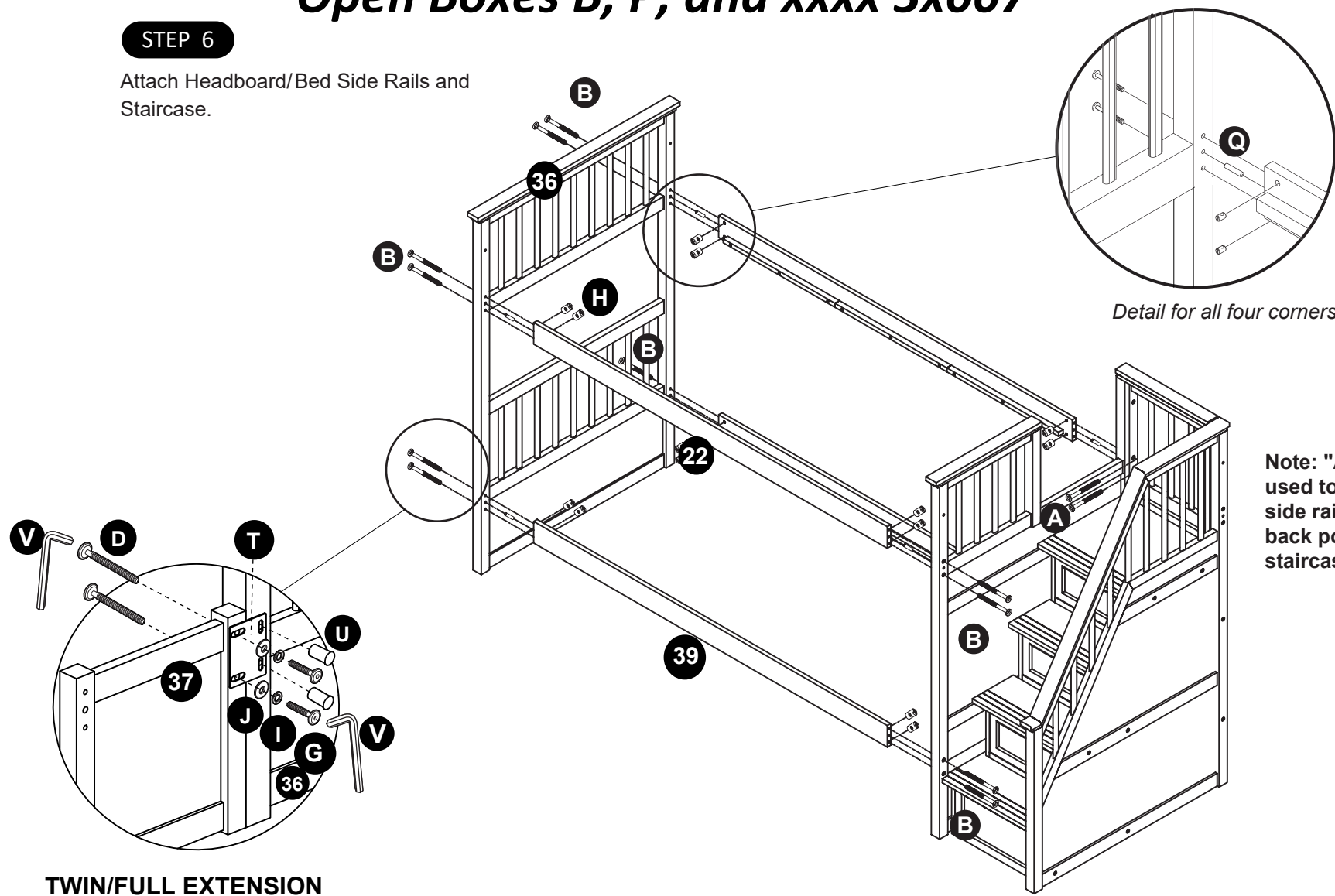
Stand Staircase upright and attach Back Staircase Support Panel.



Open Boxes B, P, and xxxx 3x007

STEP 6

Attach Headboard/Bed Side Rails and Staircase.



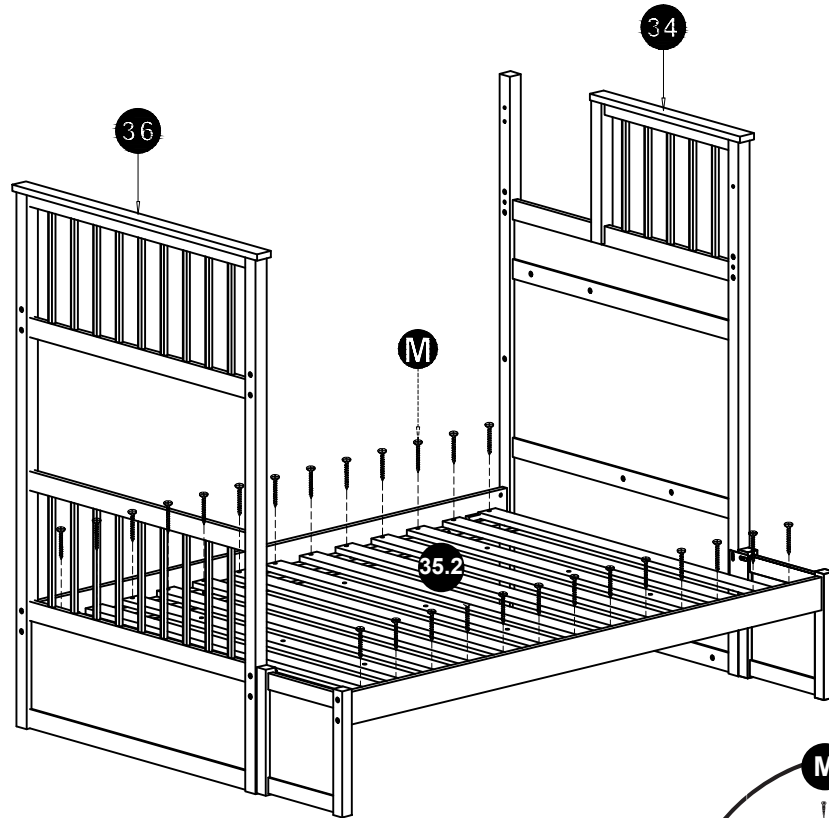
Open box 2191-3040 or 3050

Lay slat roll between side rails and screw in slats to slat support as indicated. Make sure rails are pulled into slats prior to screwing in place.



WARNING

To help prevent serious or fatal injuries SCREW BOTH SIDES OF EACH SLAT TO THE SLAT SUPPORT. Failure to do so could result in the collapse of the entire slat roll, **and will void your warranty.**

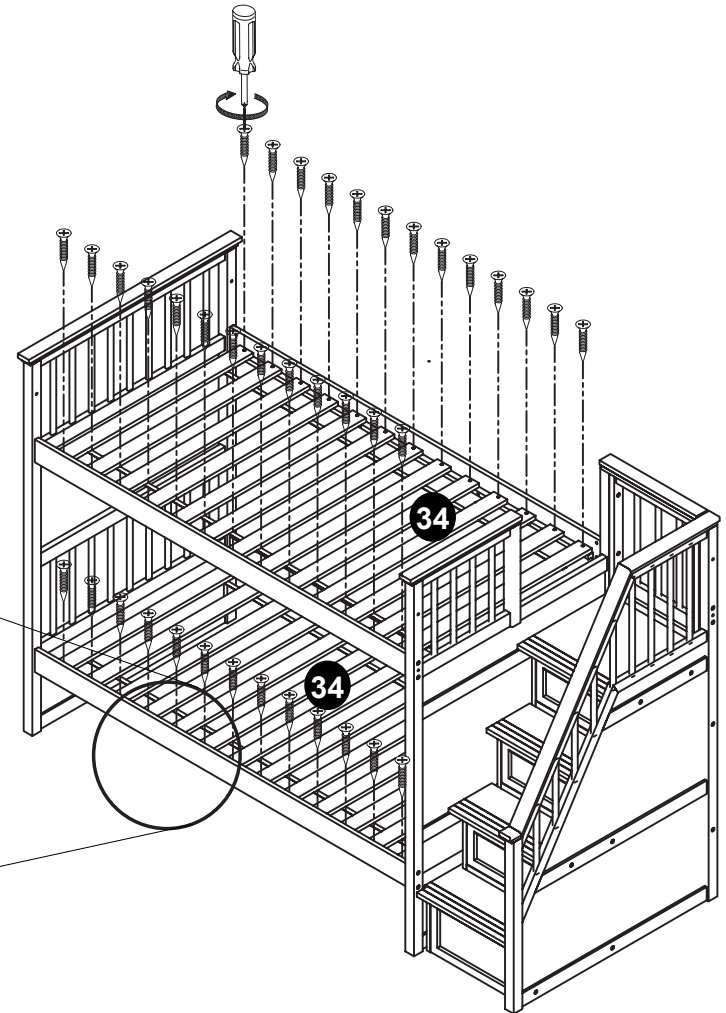
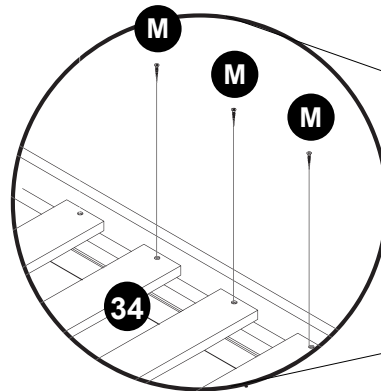


STEP 7

Attach Slats.

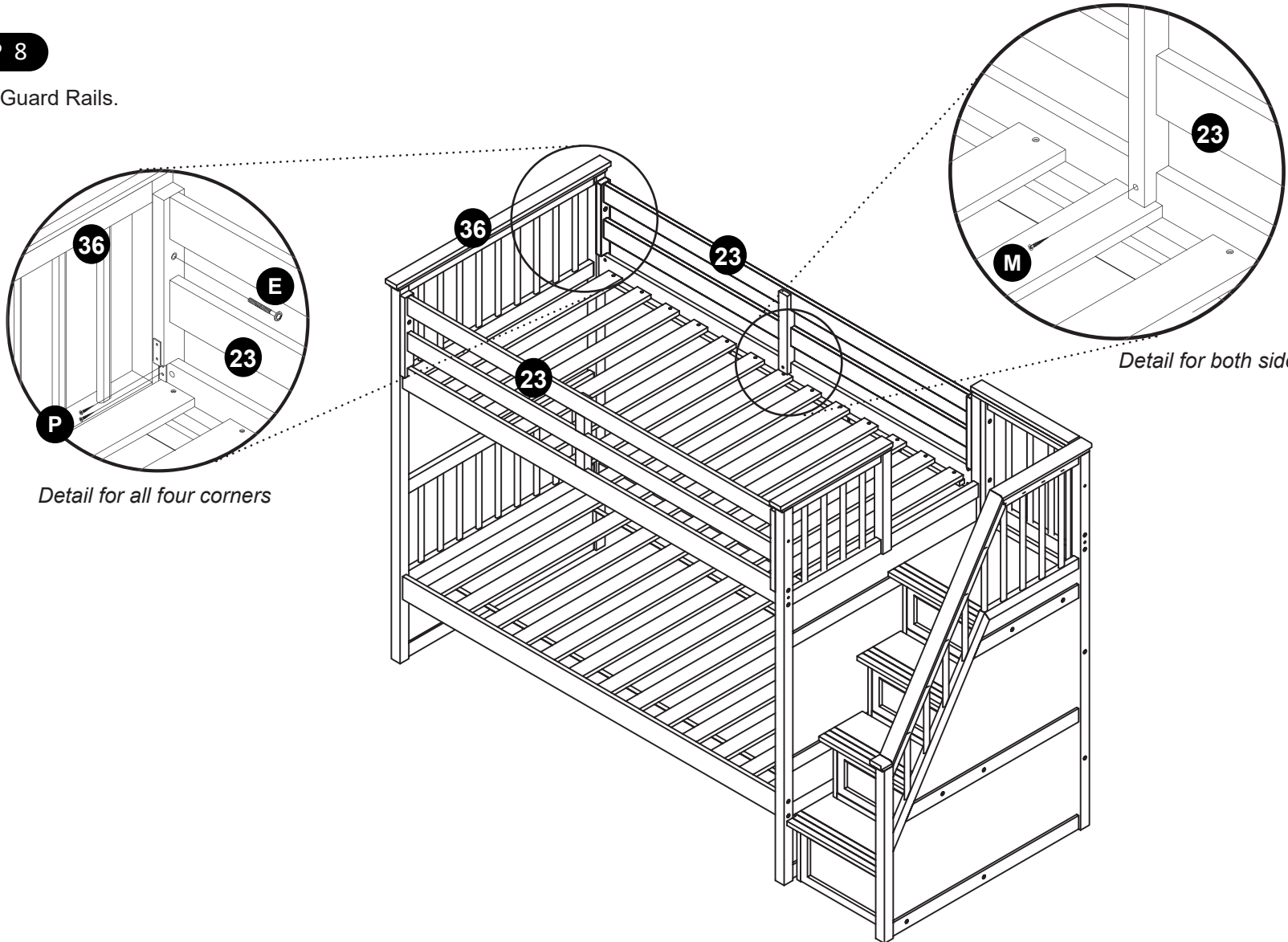
TWIN/FULL EXTENSION

Use Slats 35.1 for upper bunk on Twin/Full set up.



STEP 8

Attach Guard Rails.

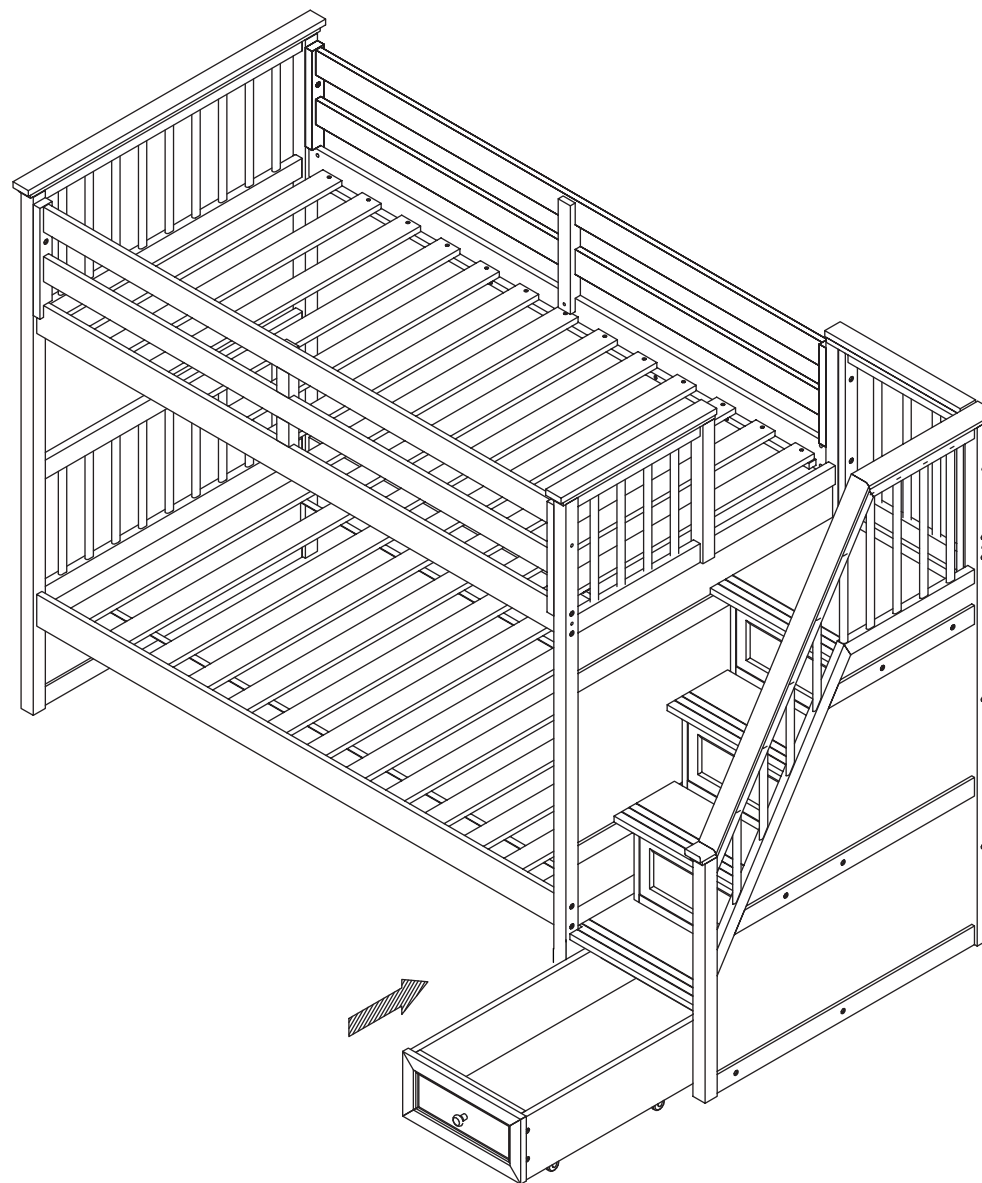


Detail for all four corners

Detail for both sides

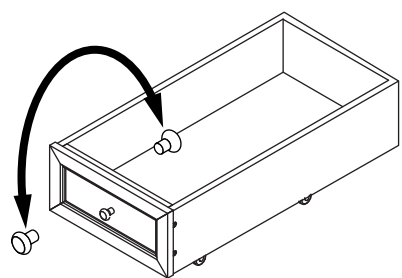
STEP 9

With at least two adults, make sure the loft is in desired final position then slide the Toy Box into place.



STEP 10

Switch the knobs from inside to outside.





WARNING

Important Safety Notice

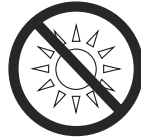
Dresser/chest can tip (fall over) when not used as intended. This could potentially result in serious injury or death. Keep your children and others safe by following these simple rules:

1. Do not allow climbing on any dresser/chest.
2. Do not leave drawers open when not in use.
3. Do not allow standing in drawers.
4. Do not allow standing on top of dresser/chest.
6. Do not place heavy objects in drawers.
7. Do not place heavy objects on top of the Dresser/chest which can be pulled down on top of your child.
8. To avoid head injury, do not allow your child to play underneath open drawers.
9. Hutches mirror, etc. Must be securely fastened to the dresser according to the instructions enclosed with those items.
10. Always monitor your child's activity when in the nursery.

CARE INSTRUCTIONS



- A lacquer finish is used on this furniture to protect the wood. **It is not waterproof, clean spills immediately.** Dust using a slightly damp cloth, making sure no standing water is left on the furniture. **DO NOT** use any household cleaners, citrus-based polishes, wood soaps, or oils; they can break down the natural lacquer finish.



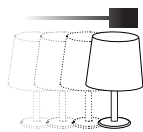
- **Do not place furniture in direct sunlight.** Natural solid wood furniture will naturally color as it ages, however, direct sunlight dramatically speeds up the process.



- In natural wood furniture, the variations in texture and grain **will affect the finish**, making it impossible to guarantee an exact match between two pieces of wood even though identical finishing processes are used. These differences in character **are not defects**, but variations that make each piece of furniture unique and beautiful.



- **Solid wood naturally expands and contracts.** In high humidity you may find that drawers can stick slightly. This will correct itself, and is not reason for concern.



- **Do not place furniture over heating or cooling vents.** Dramatic changes in temperature can cause the wood to split.

If you place objects such as lamps or plants on your case pieces **make sure to move them from time to time.** There may be a slight discoloration where the object was. However by exposing it to the light the color will catch up the rest of the case.



- Plastic or foam footed items such as phones or clocks can damage this finish, **use trivets under such items.**

FLYNN TRUNDLE

INTRODUCTION

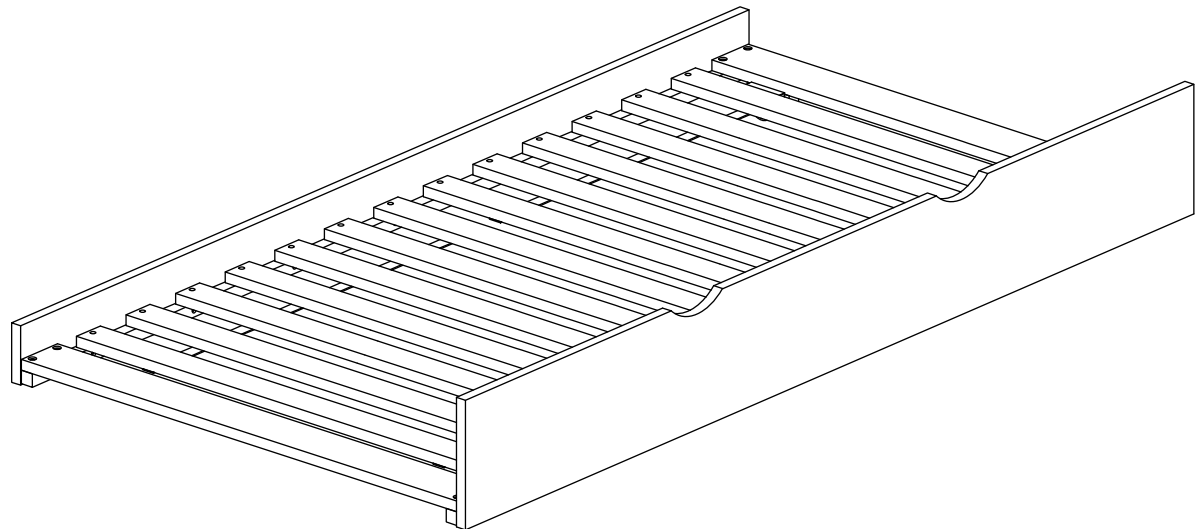
Enclosed please find simple step-by-step instructions to help you quickly assemble your product. Before you begin, we recommend that you follow the steps below.

1. Please read the instructions thoroughly
2. Identify all parts and hardware
3. Gather the tool(s) necessarily
4. 2 adults required for assembly

To protect your parts during assembly, please place them on a soft surface. To clean surface, use only water on a damp cloth. Do not use window cleaners or cleaning abrasives as it will scratch the surface and could damage the protective coating.

CUSTOMER SUPPORT

If you are missing parts or need assistance with your product, please contact the retailer from whom you purchased the product. When you call or email, please include the Product's Item Number and PO Number which is located on the Production Tracking Sticker. This sticker can be found on the bottom, inside or back of your product.



PARTS LIST

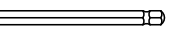
A  Wheels
X 4

B  Ø4x20mm Screws
X 16

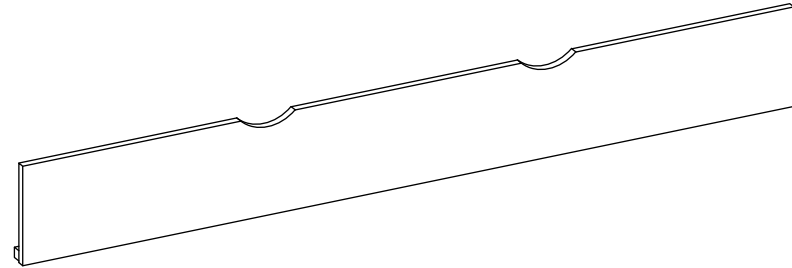
C  1/4"-20x30mm Bolts
X 8

D  Allen Wrench
X 1

E  Ø4x30mm Screws
X 26

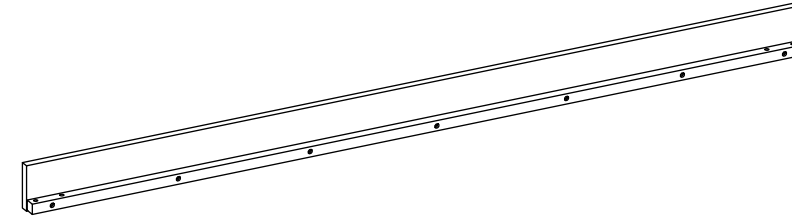
F  Straight Allen
Wrench X 1

1



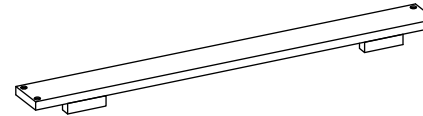
Front Panel
X 1

2



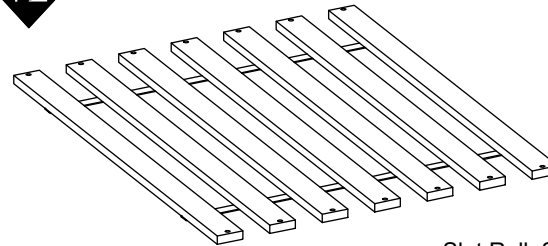
Back Panel
X 1

3



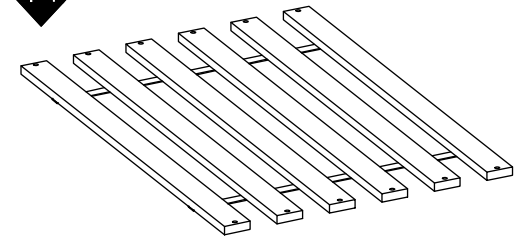
Side Support
X 2

4-2



Slat Roll: Set of 7
X 1

4-1



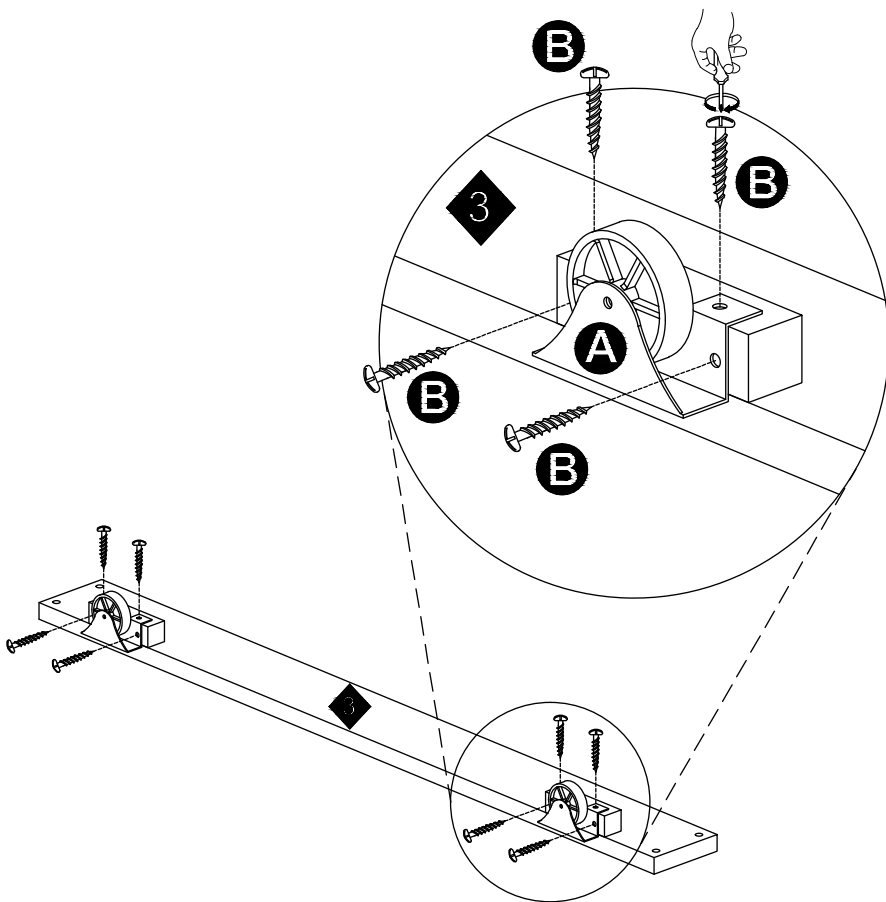
Slat Roll: Set of 6
X 1

Other Tool Required
(Not Included)
Phillips Screwdriver



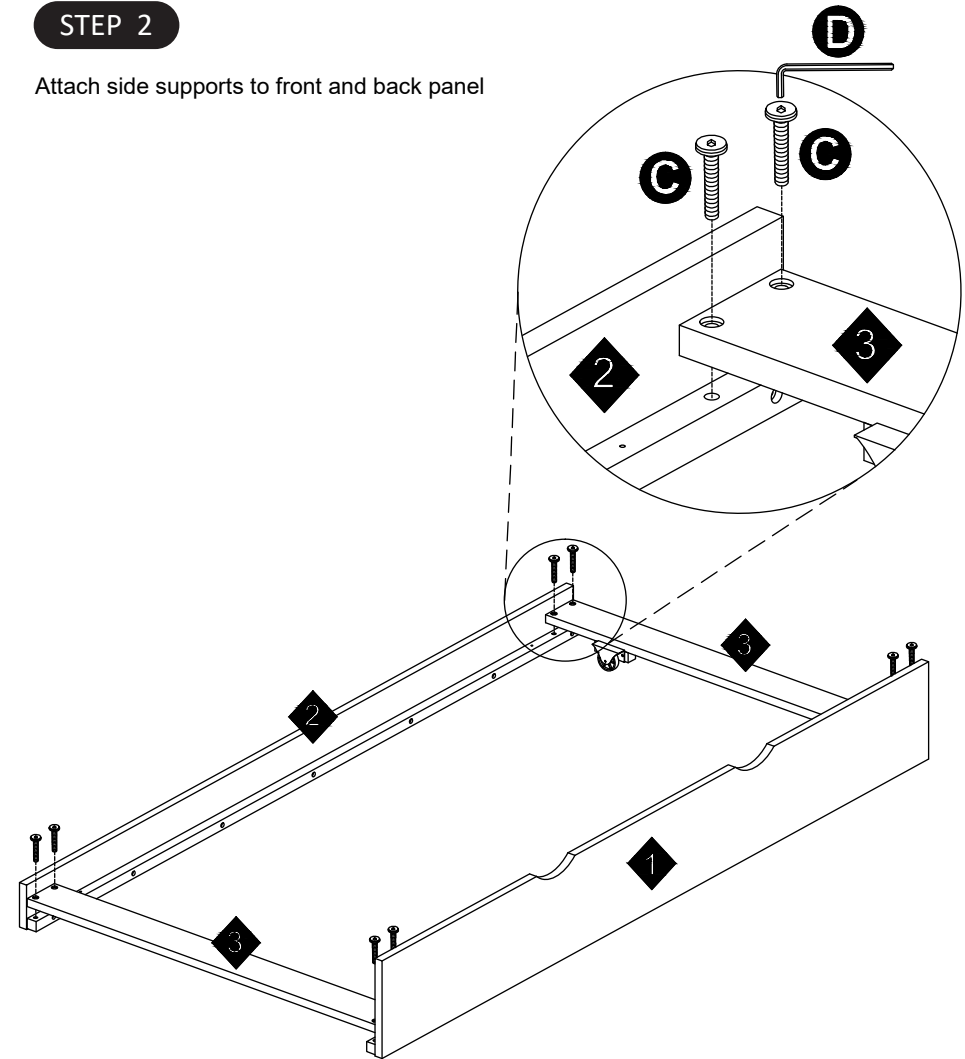
STEP 1

Attach wheels to side supports.



STEP 2

Attach side supports to front and back panel



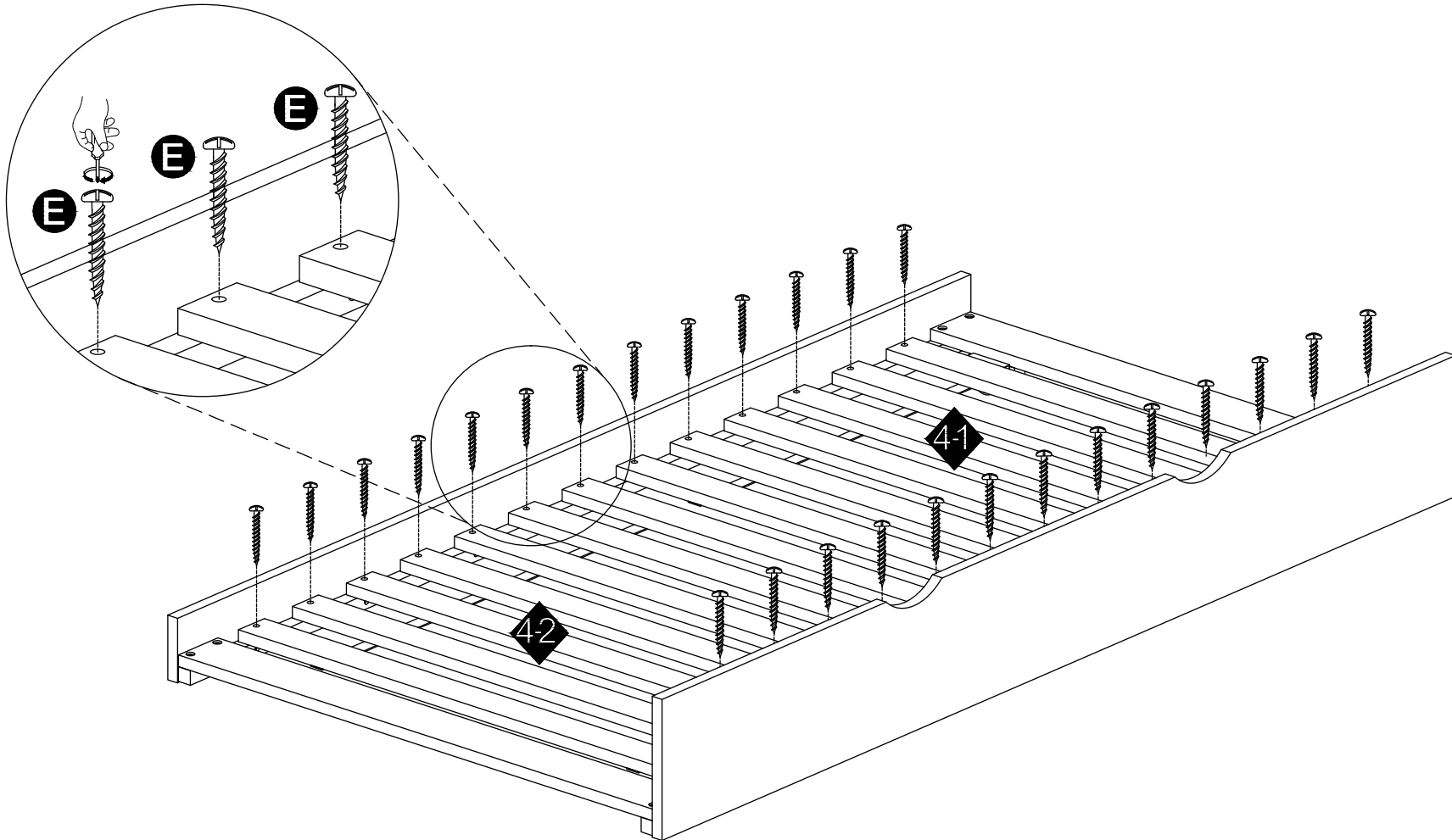
STEP 3

Attach each slat roll. Lay slat rolls between side rails and screw in slat support as indicated



WARNING

To help prevent serious or fatal injuries **SCREW BOTH SIDES OF EACH SLAT TO THE SLAT ROLL SUPPORT**. Failure to do so could result in the collapse of the entire slat roll, *and will void your warranty.*





WARNING

Important Safety Notice

Dresser/chest can tip (fall over) when not used as intended. This could potentially result in serious injury or death. Keep your children and others safe by following these simple rules:

1. Do not allow climbing on any dresser/chest.
2. Do not leave drawers open when not in use.
3. Do not allow standing in drawers.
4. Do not allow standing on top of dresser/chest.
6. Do not place heavy objects in drawers.
7. Do not place heavy objects on top of the Dresser/chest which can be pulled down on top of your child.
8. To avoid head injury, do not allow your child to play underneath open drawers.
9. Hutches mirror, etc. Must be securely fastened to the dresser according to the instructions enclosed with those items.
10. Always monitor your child's activity when in the nursery.



- A lacquer finish is used on this furniture to protect the wood. **It is not waterproof, clean spills immediately.** Dust using a slightly damp cloth, making sure no standing water is left on the furniture. **DO NOT** use any household cleaners, citrus-based polishes, wood soaps, or oils; they can break down the natural lacquer finish.



- **Do not place furniture in direct sunlight.** Natural solid wood furniture will naturally color as it ages, however, direct sunlight dramatically speeds up the process.

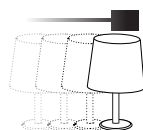


- In natural wood furniture, the variations in texture and grain **will affect the finish**, making it impossible to guarantee an exact match between two pieces of wood even though identical finishing processes are used. These differences in character **are not defects**, but variations that make each piece of furniture unique and beautiful.

- **Solid wood naturally expands and contracts.** In high humidity you may find that drawers can stick slightly. This will correct itself, and is not reason for concern.



- **Do not place furniture over heating or cooling vents.** Dramatic changes in temperature can cause the wood to split.



- If you place objects such as lamps or plants on your case pieces **make sure to move them from time to time.** There may be a slight discoloration where the object was. However by exposing it to the light the color will catch up the rest of the case.



- Plastic or foam footed items such as phones or clocks can damage this finish, **use trivets under such items.**

FLYNN STORAGE UNIT

INTRODUCTION

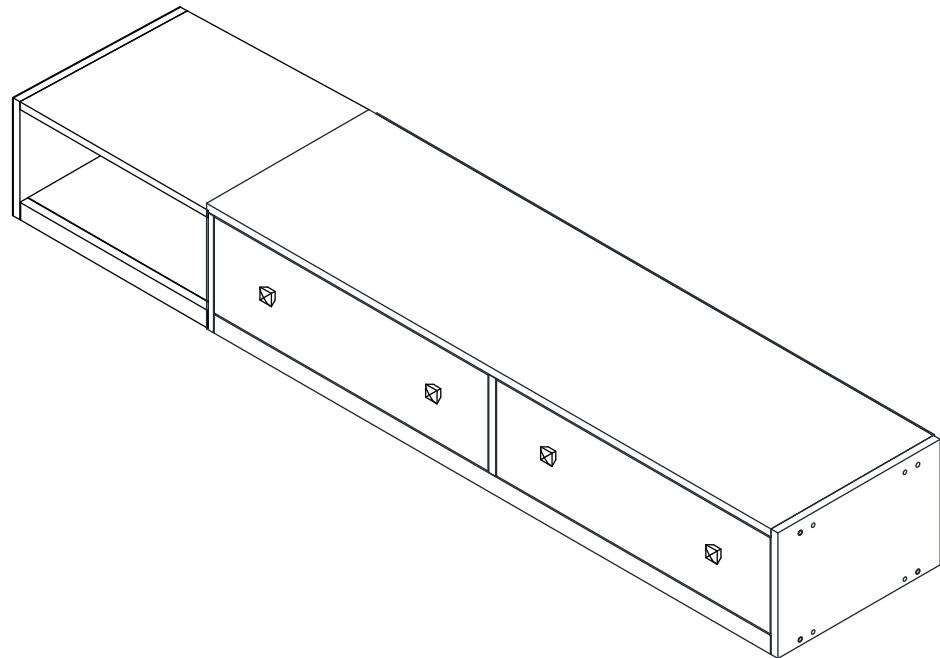
Enclosed please find simple step-by-step instructions to help you quickly assemble your product. Before you begin, we recommend that you follow the steps below:

1. Please read the instructions thoroughly
2. Identify all parts and hardware
3. Gather the tool(s) necessary
4. Two adults required for assembly


To protect your parts during assembly please place them on a soft surface. To clean surface use only water on a damp cloth. Do not use window cleaners or cleaning abrasives as it will scratch the surface and could damage the protective coating.


CUSTOMER SUPPORT


If you are missing parts or need assistance with your product, please contact the retailer from whom you purchased the product. When you call or email, please include the Product's Item Number and PO Number which is located on the Production Tracking Sticker. This sticker can be found on the bottom, inside or back of your product.





PARTS LIST

- A


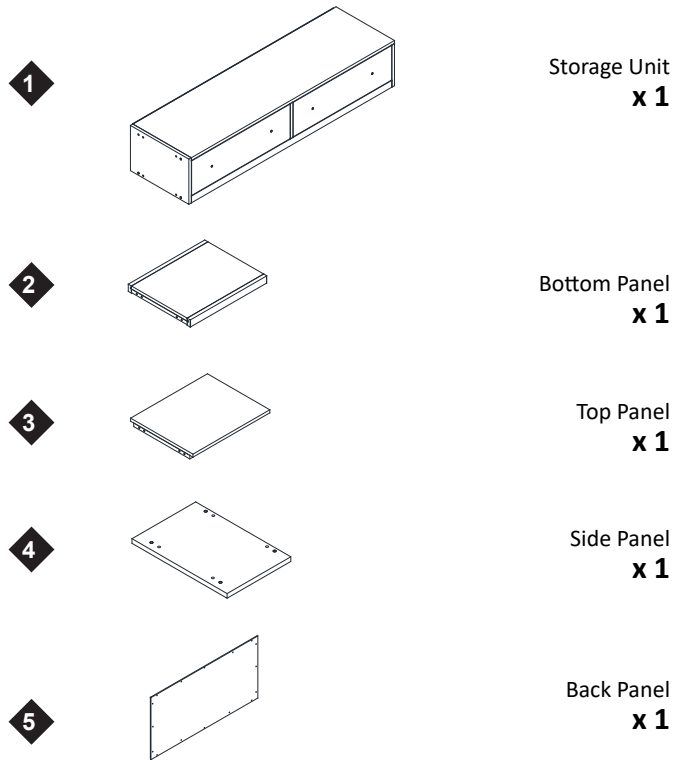
 Ø6-17x25mm Bolts
x 8
- B


 Ø 8 X 25mm Wood Dowels
x8
- C


 15mm Screws
x16
- D


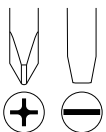
 Allen Wrench
x1
- E


 Straight Allen Key
x1



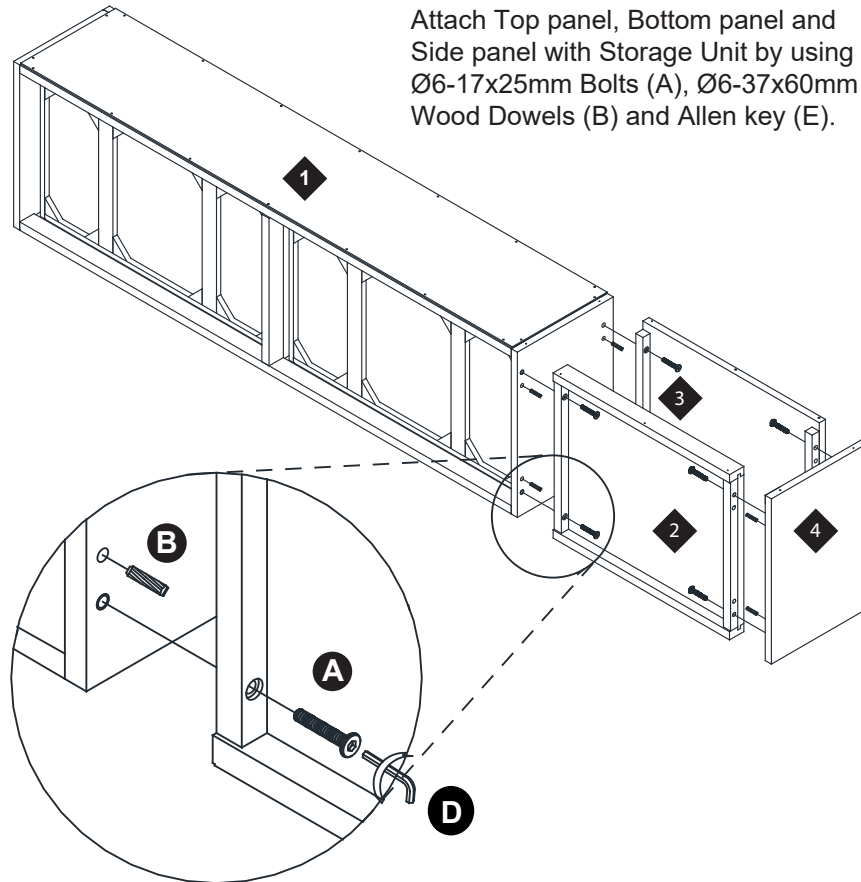
Other Tools Required
(Not Included)

- Phillips Screwdriver
- Flathead Screwdriver



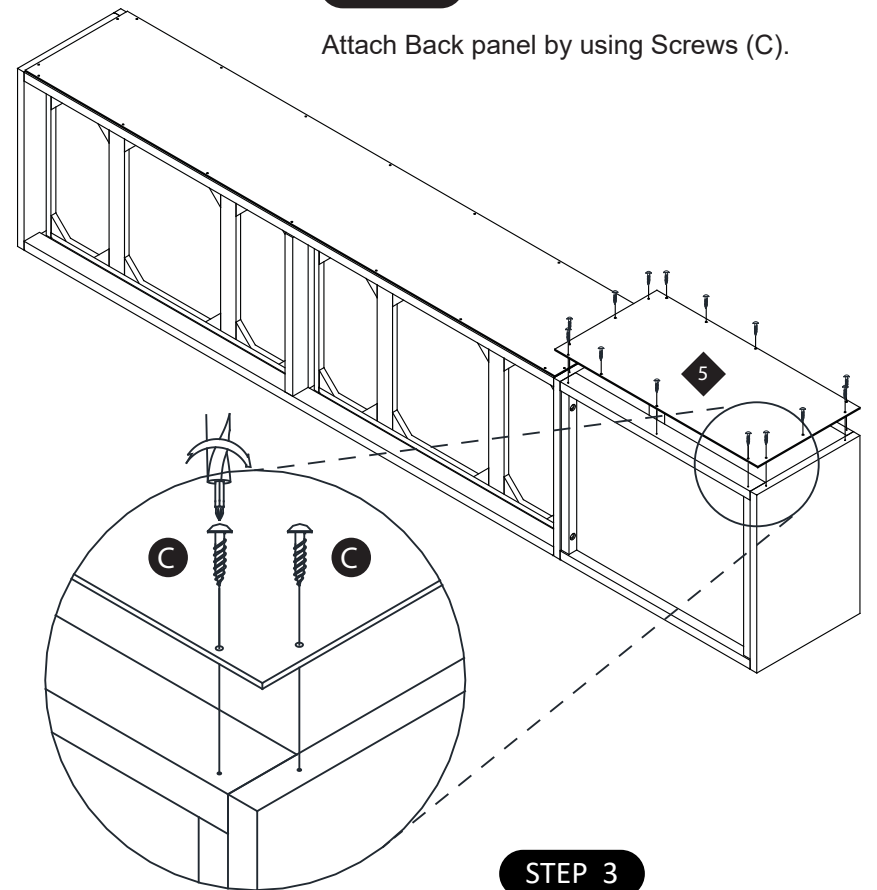
STEP 1

Attach Top panel, Bottom panel and Side panel with Storage Unit by using Ø6-17x25mm Bolts (A), Ø6-37x60mm Wood Dowels (B) and Allen key (E).



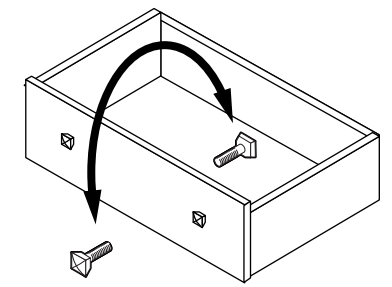
STEP 2

Attach Back panel by using Screws (C).

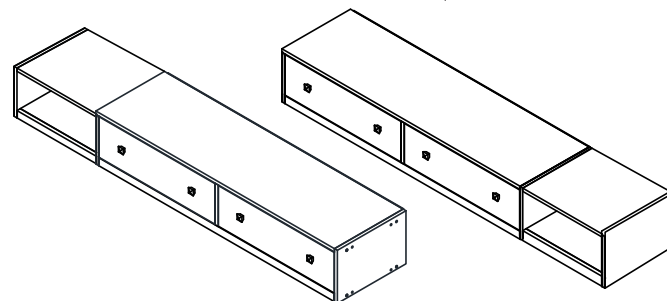


STEP 3

Switch the knobs from inside to outside.



NOTE: Cubby can be attached to either side of the Drawer Unit. Before proceeding with assembly, decide on which side you would like the cubby to be.





WARNING

Important Safety Notice

Dresser/chest can tip (fall over) when not used as intended. This could potentially result in serious injury or death. Keep your children and others safe by following these simple rules:

1. Do not allow climbing on any dresser/chest.
2. Do not leave drawers open when not in use.
3. Do not allow standing in drawers.
4. Do not allow standing on top of dresser/chest.
6. Do not place heavy objects in drawers.
7. Do not place heavy objects on top of the Dresser/chest which can be pulled down on top of your child.
8. To avoid head injury, do not allow your child to play underneath open drawers.
9. Hutches mirror, etc. Must be securely fastened to the dresser according to the instructions enclosed with those items.
10. Always monitor your child's activity when in the nursery.

CARE INSTRUCTIONS



- A lacquer finish is used on this furniture to protect the wood. **It is not waterproof, clean spills immediately.** Dust using a slightly damp cloth, making sure no standing water is left on the furniture. **DO NOT** use any household cleaners, citrus-based polishes, wood soaps, or oils; they can break down the natural lacquer finish.



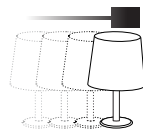
- **Do not place furniture in direct sunlight.** Natural solid wood furniture will naturally color as it ages, however, direct sunlight dramatically speeds up the process.



- In natural wood furniture, the variations in texture and grain **will affect the finish**, making it impossible to guarantee an exact match between two pieces of wood even though identical finishing processes are used. These differences in character **are not defects**, but variations that make each piece of furniture unique and beautiful.



- **Solid wood naturally expands and contracts.** In high humidity you may find that drawers can stick slightly. This will correct itself, and is not reason for concern.



- **Do not place furniture over heating or cooling vents.** Dramatic changes in temperature can cause the wood to split.

•

If you place objects such as lamps or plants on your case pieces **make sure to move them from time to time.** There may be a slight discoloration where the object was. However by exposing it to the light the color will catch up the rest of the case.



- Plastic or foam footed items such as phones or clocks can damage this finish, **use trivets under such items.**