



# ASSEMBLY INSTRUCTIONS

ITEM NO: 195-S318-412

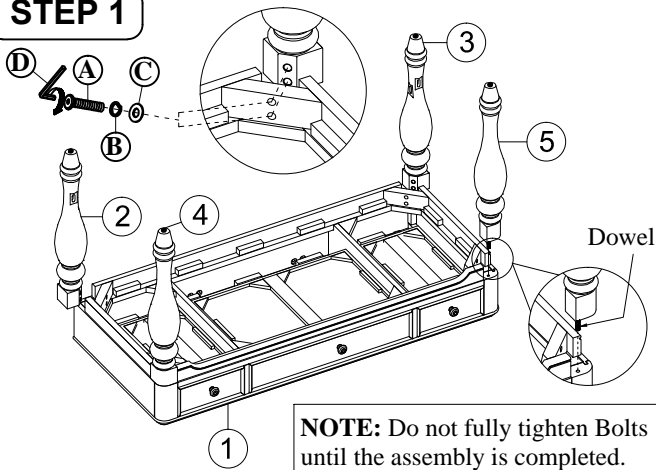
DESCRIPTION: VANITY & STOOL  
FLORENCE

Thank you for purchasing this quality product. Be sure to check all packing material carefully for small parts that may have come loose inside the carton during shipment.

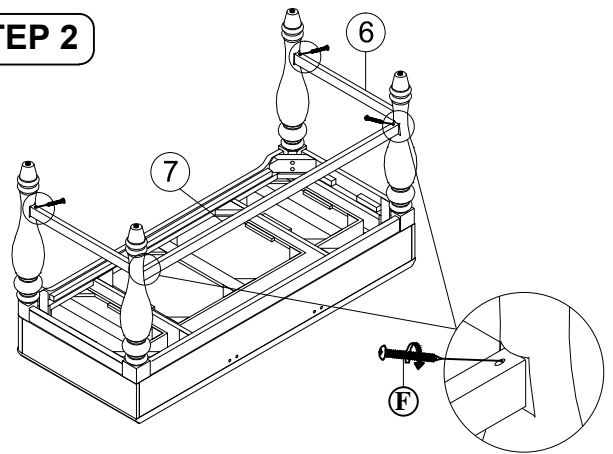
PARTS LIST:			
No.	Description	Sketch	Quantity
1	Top Vanity		1 Pc
2	Right Back Leg Vanity		1 Pc
3	Left Back Leg Vanity		1 Pc
4	Right Front Leg Vanity		1 Pc
5	Left Front Leg Vanity		1 Pc
6	Side Stretcher		2 Pcs
7	Back Stretcher		1 Pc
8	Top Stool		1 Pc
9	Leg Stool		4 Pcs

TOOLS REQUIRED (NOT PROVIDED)				
PHILLIPS SCREWDRIVER				
HARDWARE LIST:				
No.	Description	Sketch		Quantity
A	Bolt		Ø5/16 x 2*1/4"	16 Pcs
B	Spring Washer		Ø5/16	16 Pcs
C	Flat Washer		Ø5/16 x 19mm	16 Pcs
D	Allen Wrench		M4	1 Pc
E	Straight Allen Key		M4 x 100mm	1 Pc
F	P.H Screw		M4 x 45mm	6 Pcs
G	Tipping Restraint			1 Set

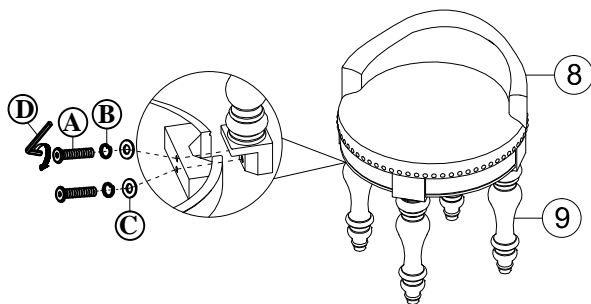
## STEP 1



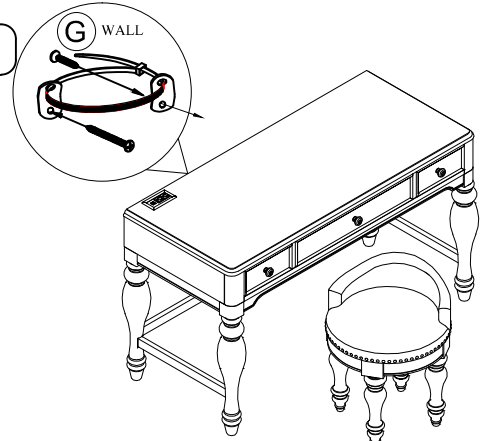
## STEP 2



## STEP 3



## STEP 4



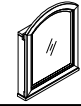
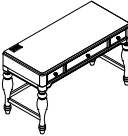


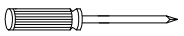



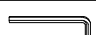

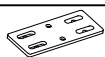


# ASSEMBLY INSTRUCTIONS

ITEM NO: 195-S318-432

DESCRIPTION: VANITY MIRROR  
FLORENCE

Thank you for purchasing this quality product. Be sure to check all packing material carefully for small parts that may have come loose inside the carton during shipment.

PARTS LIST:			
No.	Description	Sketch	Quantity
1	Vanity Mirror		1 Pc
2	Vanity		1 Pc

TOOLS REQUIRED (NOT PROVIDED)				
PHILLIPS SCREWDRIVER				
HARDWARE LIST:				
No.	Description	Sketch		Quantity
A	Bolt		Ø1/4 x 3/4"	8 Pcs
B	Spring Washer		Ø1/4	8 Pcs
C	Flat Washer		Ø1/4 x 19mm	8 Pcs
D	Allen Wrench		M4	1 Pc
E	Straight Allen Key		M4 x 100mm	1 Pc
F	Metal Plate			2 Pcs
G	PH Screw		M4 x 20mm	4 Pcs
H	Tipping Restraint			1 Set

