




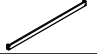
# ASSEMBLY INSTRUCTION

ITEM # : 1913-107HQR QUEEN PANEL HDBD-DAKOTA GRAY

NOTE : THIS ITEM NOT RECOMMENDED FOR COMMERCIAL USE  
KEEP THIS DOCUMENT FOR REFERENCE IN CASE PARTS ARE NEEDED

DO NOT TIGHTEN SCREWS UNTIL COMPLETELY ASSEMBLED !!

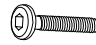


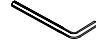






## PARTS LIST

NO.		DESCRIPTION	QTY
A		HEADBOARD PANEL	1
B		LEG (R)	1
C		LEG (L)	1
D		STRETCHER	1

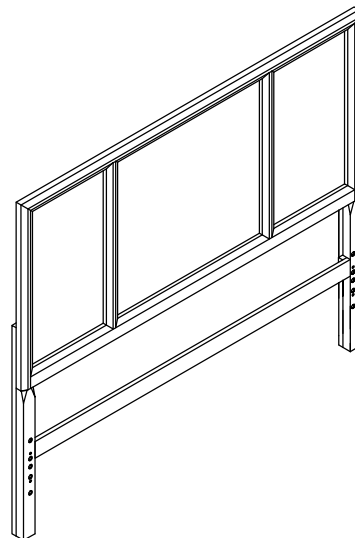
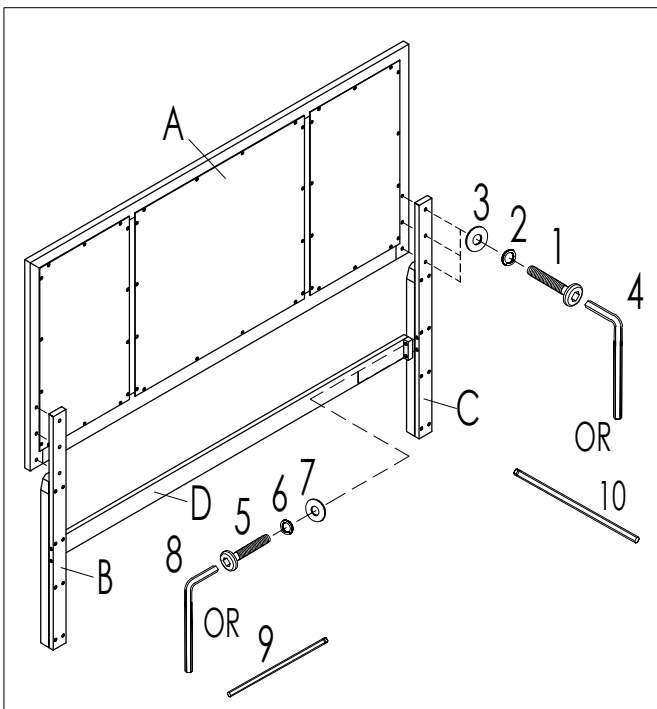
## TOOLS REQUIRED (NOT PROVIDED)

PHILIP SCREW DRIVER	1 PC
---------------------	------

## HARDWARE LIST

NO.		DESCRIPTION	QTY
1		BOLT M8 x 40	6
2		SPRING WASHER M8	6
3		FLAT WASHER M8 x 18	6
4		ALLEN KEY M5	1
5		BOLT M6 x 35	4
6		SPRING WASHER M6	4
7		FLAT WASHER M6 x 19	4
8		ALLEN KEY M4	1
9		STRAIGHT ALLEN KEY M4	1
10		STRAIGHT ALLEN KEY M5	1

### STEP 1







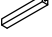


# ASSEMBLY INSTRUCTION




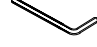


ITEM # : 1913-107HQR QUEEN PANEL HDBD-DAKOTA GRAY  
 ITEM # : 1913-107FQR QN PNL FTBD & SLTS-DAKOTA GRAY  
 ITEM # : 1913-107RLR QN/KG PANEL RAILS-DAKOTA GRAY

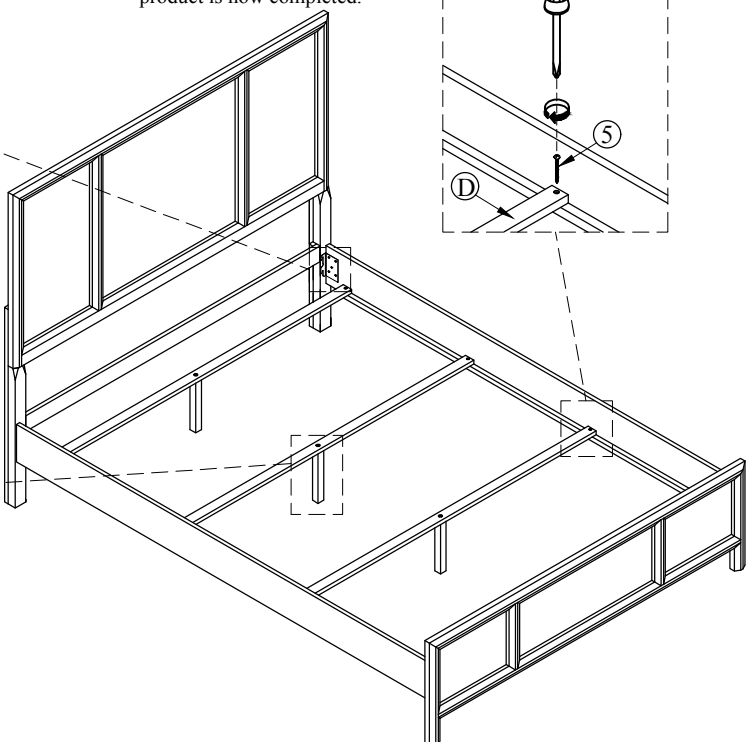
**NOTE : THIS ITEM NOT RECOMMENDED FOR COMMERCIAL USE  
 KEEP THIS DOCUMENT FOR REFERENCE IN CASE PARTS ARE NEEDED**

**DO NOT TIGHTEN SCREWS UNTIL COMPLETELY ASSEMBLED !!**

PARTS LIST			
NO.		DESCRIPTION	QTY
A		HEADBOARD	1
B		FOOTBOARD	1
C		SIDE RAIL	2
D		SLAT (17 x 42 x 1540mm)	4
E		VERTICAL LEG (29 x 29 x 219mm)	4

TOOLS REQUIRED (NOT PROVIDED)	
PHILIP SCREW DRIVER	1 PC

HARDWARE LIST			
NO.		DESCRIPTION	QTY
1		BOLT M8 x 20	8
2		SPRING WASHER M8	8
3		FLAT WASHER M8 x 18	8
4		ALLEN KEY M5	1
5		PANHEAD SCREW M4 x 32	8
6		STRAIGHT ALLEN KEY M5	1



**STEP 1:** Attached Side Rails (C) to Headboard (A) and Footboard (B) by using the Flat Washer (2), Allen Bolt (1) and tighten with Allen Key (3).

**STEP 2:** Secure Supports Leg (E) to Slats (D) by turning clockwise direction.

**STEP 3:** Attached Slats (D) to Side Rails (C) by using Screw (4) and tighten with Screw Driver (Not included). Assembly of product is now completed.