









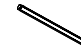
# ASSEMBLY INSTRUCTION

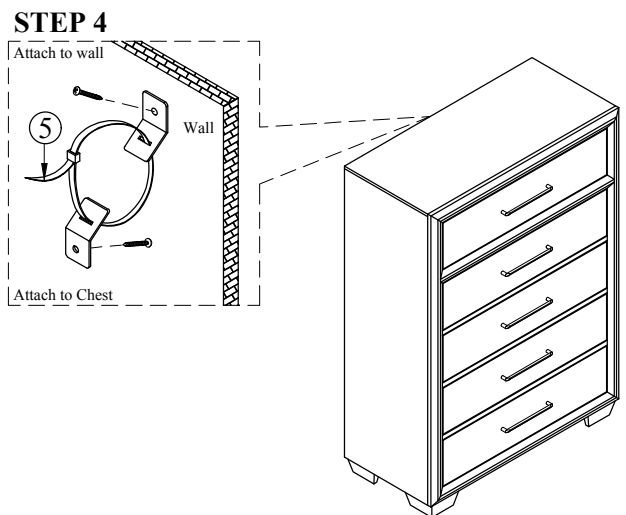
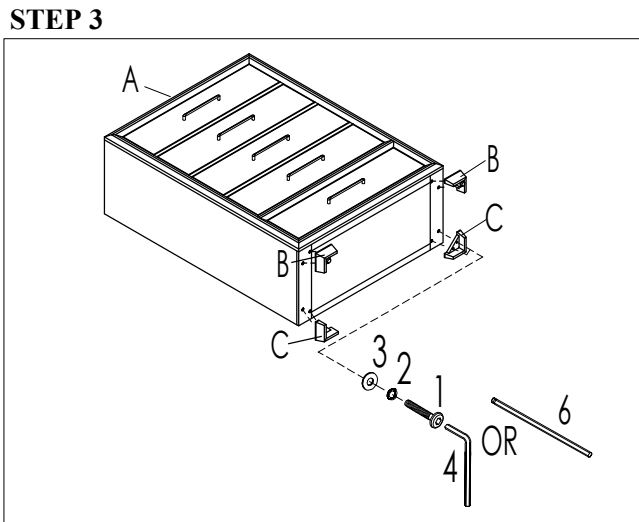
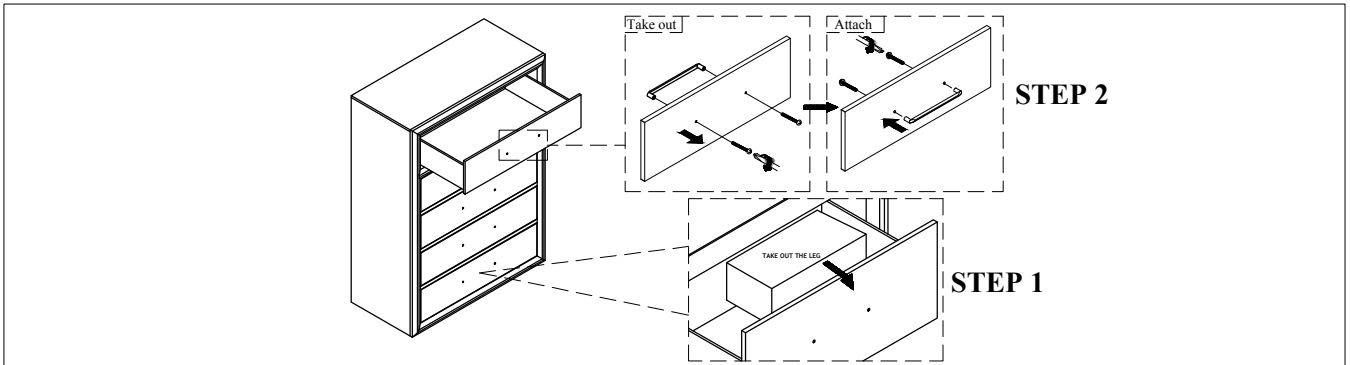
ITEM # : 1913-150R 5 DRAWER CHEST-DAKOTA GRAY

NOTE : THIS ITEM NOT RECOMMENDED FOR COMMERCIAL USE  
 KEEP THIS DOCUMENT FOR REFERENCE IN CASE PARTS ARE NEEDED  
 DO NOT TIGHTEN SCREWS UNTIL COMPLETELY ASSEMBLED !!

PARTS LIST			
NO.		DESCRIPTION	QTY
A		CHEST	1
B		FRONT LEG	2
C		BACK LEG	2

TOOLS REQUIRED (NOT PROVIDED)	
PHILIP SCREW DRIVER	1 PC




HARDWARE LIST			
NO.		DESCRIPTION	QTY
1		BOLT M6 x 35	8
2		SPRING WASHER M8	8
3		FLAT WASHER M8 x 18	8
4		ALLEN KEY M4	1
5		TIPPING RESTRAINT	1
6		STRAIGHT ALLEN KEY M4	1






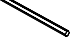


# ASSEMBLY INSTRUCTION

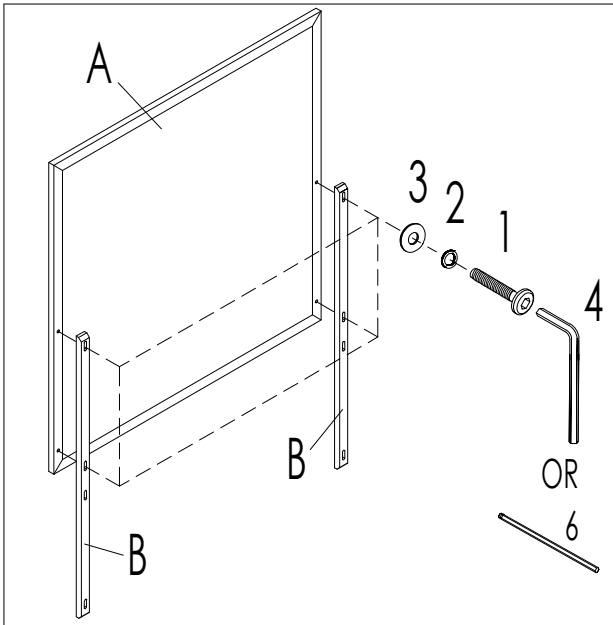
ITEM # : 1913-140R MIRROR-DAKOTA GRAY  
 ITEM # : 1913-130R 9 DRAWER DRESSER-DAKOTA GRAY

NOTE : THIS ITEM NOT RECOMMENDED FOR COMMERCIAL USE  
 KEEP THIS DOCUMENT FOR REFERENCE IN CASE PARTS ARE NEEDED  
 DO NOT TIGHTEN SCREWS UNTIL COMPLETELY ASSEMBLED !!

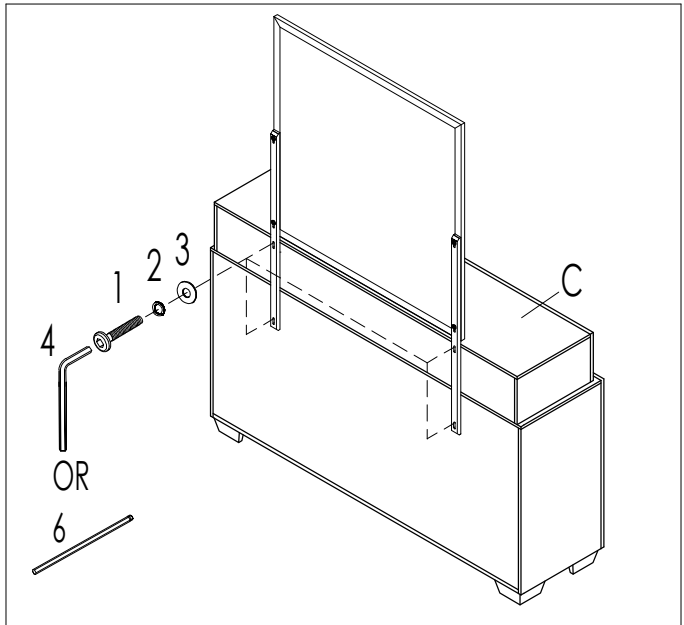
PARTS LIST			
NO.		DESCRIPTION	QTY
A		MIRROR	1
B		MIRROR SUPPORT	2
C		DRESSER	1

HARDWARE LIST				
NO.		DESCRIPTION		QTY
1		BOLT	M6 x 35	8
2		SPRING WASHER	M8	8
3		FLAT WASHER	M8 x 18	8
4		ALLEN KEY	M4	1
5		TIPPING RESTRAINT		1
6		STRAIGHT ALLEN KEY	M4	1

### STEP 1



### STEP 2



### STEP 3

