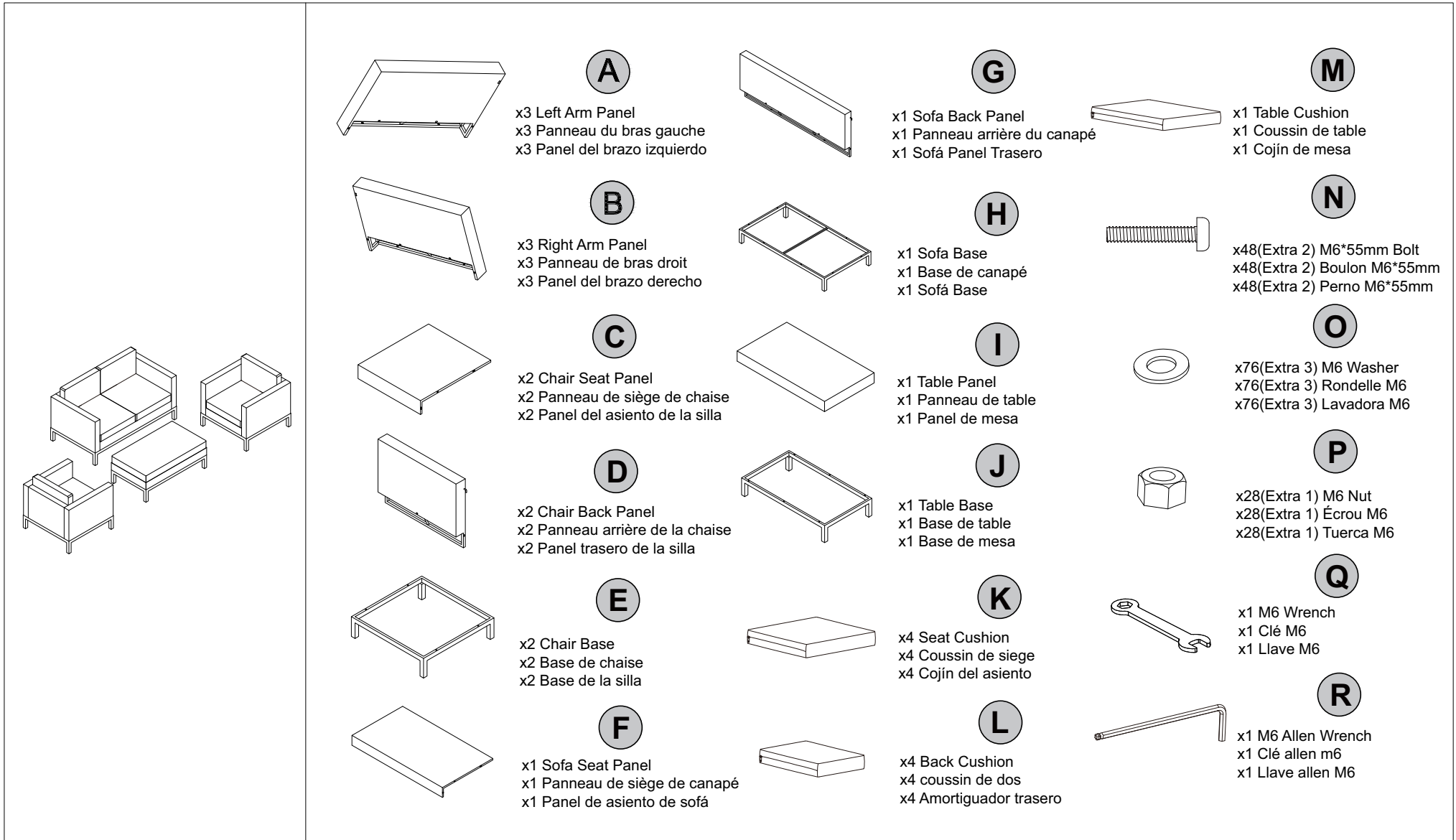
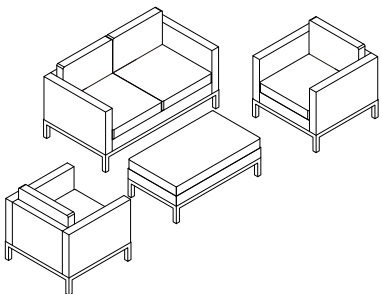
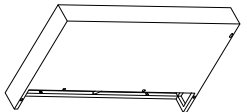
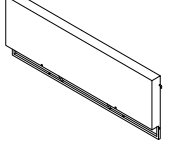

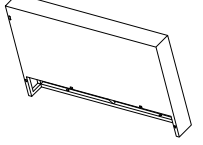
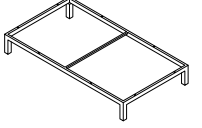

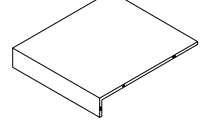
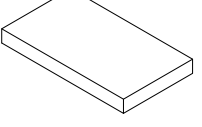

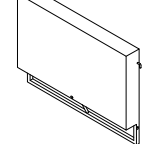
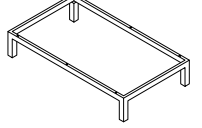
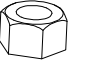
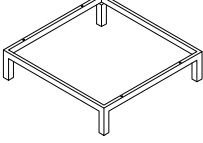
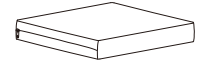
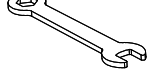
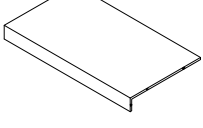




PARTS LIST / LISTE DES PIÈCES / LISTA DE PIEZAS

ITEM NO. / ARTICLE NO. / ARTICULO NO : DS-D323

DESCRIPTION / DESCRIPCIÓN : Metal Base Outdoor Set / Ensemble extérieur à base en métal / Base de metal para exteriores



		<p>A</p> <p>x3 Left Arm Panel x3 Panneau du bras gauche x3 Panel del brazo izquierdo</p>		<p>G</p> <p>x1 Sofa Back Panel x1 Panneau arrière du canapé x1 Sofá Panel Trasero</p>		<p>M</p> <p>x1 Table Cushion x1 Coussin de table x1 Cojin de mesa</p>
		<p>B</p> <p>x3 Right Arm Panel x3 Panneau de bras droit x3 Panel del brazo derecho</p>		<p>H</p> <p>x1 Sofa Base x1 Base de canapé x1 Sofá Base</p>		<p>N</p> <p>x48(Extra 2) M6*55mm Bolt x48(Extra 2) Boulon M6*55mm x48(Extra 2) Perno M6*55mm</p>
		<p>C</p> <p>x2 Chair Seat Panel x2 Panneau de siège de chaise x2 Panel del asiento de la silla</p>		<p>I</p> <p>x1 Table Panel x1 Panneau de table x1 Panel de mesa</p>		<p>O</p> <p>x76(Extra 3) M6 Washer x76(Extra 3) Rondelle M6 x76(Extra 3) Lavadora M6</p>
		<p>D</p> <p>x2 Chair Back Panel x2 Panneau arrière de la chaise x2 Panel trasero de la silla</p>		<p>J</p> <p>x1 Table Base x1 Base de table x1 Base de mesa</p>		<p>P</p> <p>x28(Extra 1) M6 Nut x28(Extra 1) Écrou M6 x28(Extra 1) Tuerca M6</p>
		<p>E</p> <p>x2 Chair Base x2 Base de chaise x2 Base de la silla</p>		<p>K</p> <p>x4 Seat Cushion x4 Coussin de siege x4 Cojin del asiento</p>		<p>Q</p> <p>x1 M6 Wrench x1 Clé M6 x1 Llave M6</p>
		<p>F</p> <p>x1 Sofa Seat Panel x1 Panneau de siège de canapé x1 Panel de asiento de sofá</p>		<p>L</p> <p>x4 Back Cushion x4 coussin de dos x4 Amortiguador trasero</p>		<p>R</p> <p>x1 M6 Allen Wrench x1 Clé allen m6 x1 Llave allen M6</p>

ASSEMBLY INSTRUCTIONS / NOTICE DE MONTAGE / INSTRUCCIONES DE MONTAJE

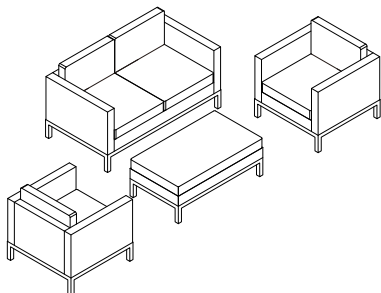
ITEM NO. / ARTICLE NO. / ARTICULO NO : DS-D323

DESCRIPTION / DESCRIPCIÓN : Metal Base Outdoor Set / Ensemble extérieur à base en métal / Base de metal para exteriores

Steps 1-3

Chair Assembly:

Lay Right Arm Panel (B) on a soft dry surface and align the bolt holes on Chair Back Panel (D) with those on the arm panel. Add Washer (O) to Bolt (N) and insert through the bolt holes as shown in the diagram. Add another Washer (O) and then Nut (P) and finger tighten. Use the provided Wrench (Q) and Allen Wrench (R) to tighten, but do not tighten completely. Now add Seat Panel (C) aligning the bolt holes, and repeat the bolt process as in step 1. Now add Left Arm Panel (A) repeating the bolt process. Make sure all of the panels are aligned properly.

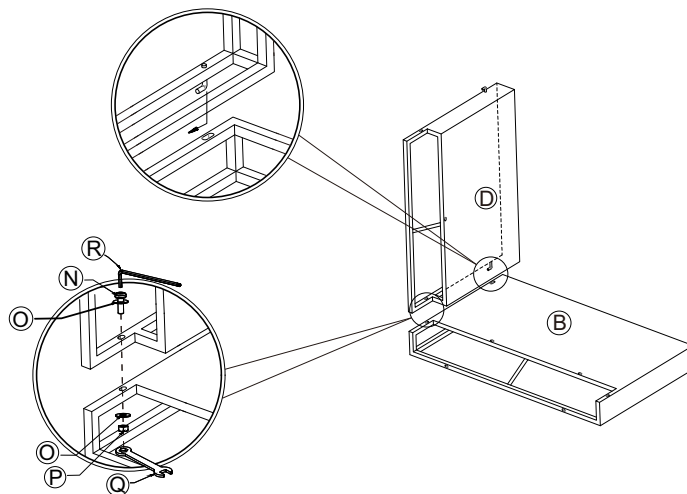


Step 4

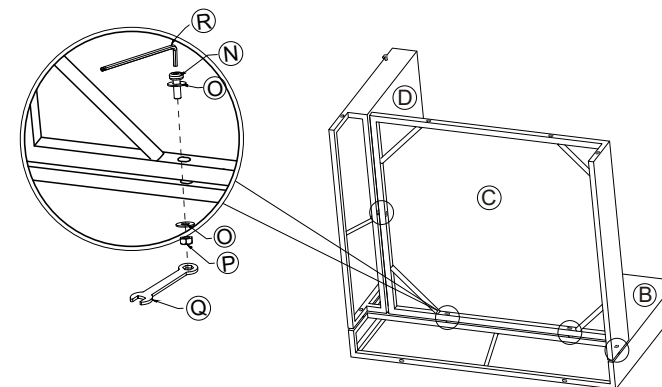
Chair Assembly Continued:

Align the bolt holes in Chair Base (E) with the bolt holes in assembled parts (A, B&C). Add Washer (O) to Bolt (N) and insert into the bolt holes and finger tighten, but do not tighten completely. After finger tightening all four bolts, make sure all the parts are properly aligned and tighten all bolts completely.

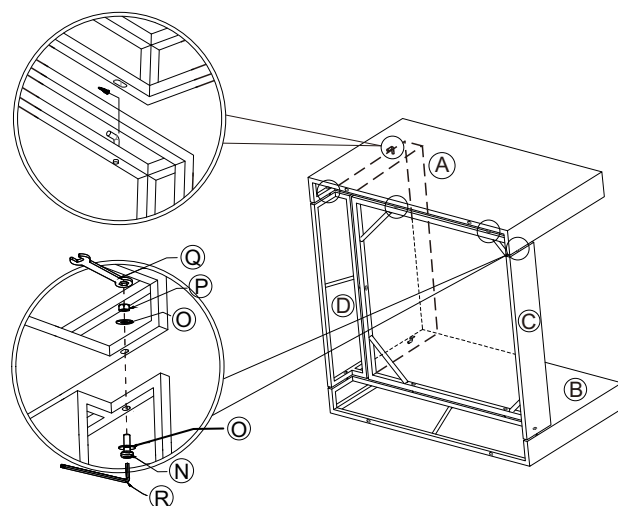
Step1



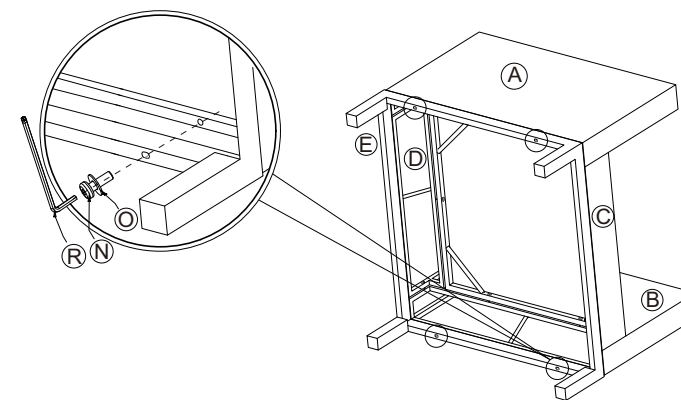
Step2



Step3



Step4



ASSEMBLY INSTRUCTIONS / NOTICE DE MONTAGE / INSTRUCCIONES DE MONTAJE

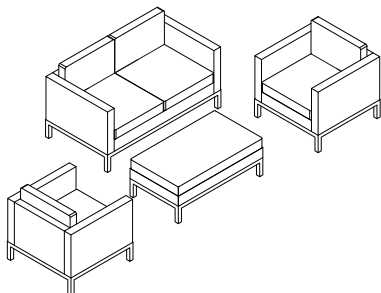
ITEM NO. / ARTICLE NO. / ARTICULO NO : DS-D323

DESCRIPTION / DESCRIPCIÓN : Metal Base Outdoor Set / Ensemble extérieur à base en métal / Base de metal para exteriores

Steps 5-7

Sofa Assembly:

Lay Right Arm Panel (B) on a soft dry surface and align the bolt holes on Sofa Back Panel (G) with those on the arm panel. Add Washer (O) to Bolt (N) and insert through the bolt holes as shown in the diagram. Add another Washer (O) and then Nut (P) and finger tighten. Use the provided Wrench (Q) and Allen Wrench(R) to tighten, but do not tighten completely. Now add Sofa Seat Panel (F) aligning the bolt holes, and repeat the bolt process as in step 1. Now add Left Arm Panel (A) repeating the bolt process. Make sure all of the panels are aligned properly.

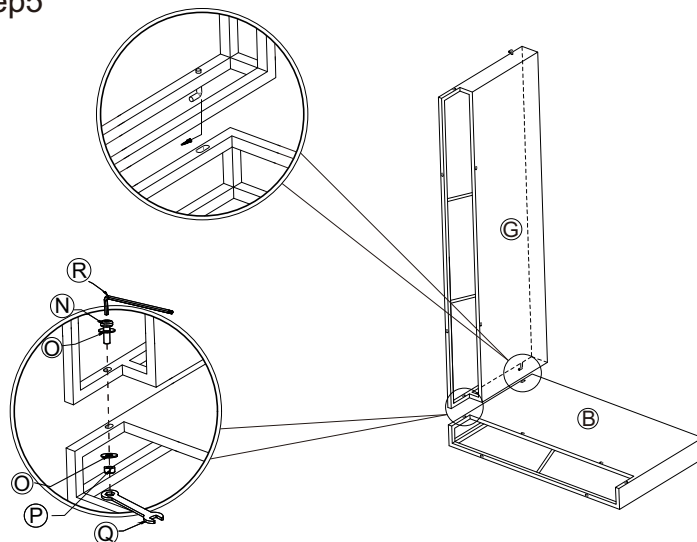


Step 8

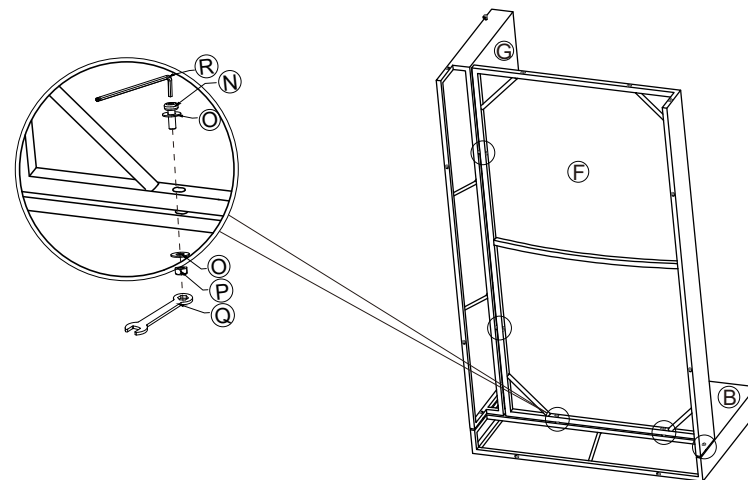
Sofa Assembly Continued:

Align the bolt holes in Sofa Base (H) with the bolt holes in assembled parts (A, B&F). Add Washer (O) to Bolt (N) and insert into the bolt holes and finger tighten, but do not tighten completely. After finger tightening all four bolts, make sure all the parts are properly aligned and tighten all bolts completely.

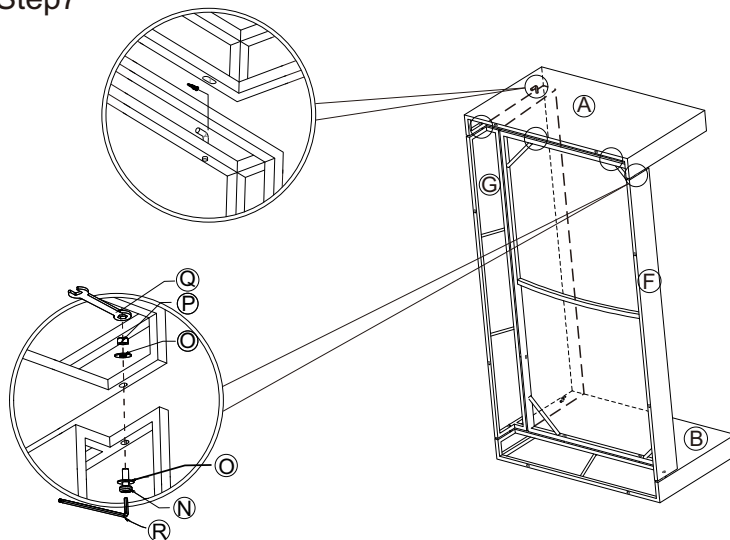
Step5



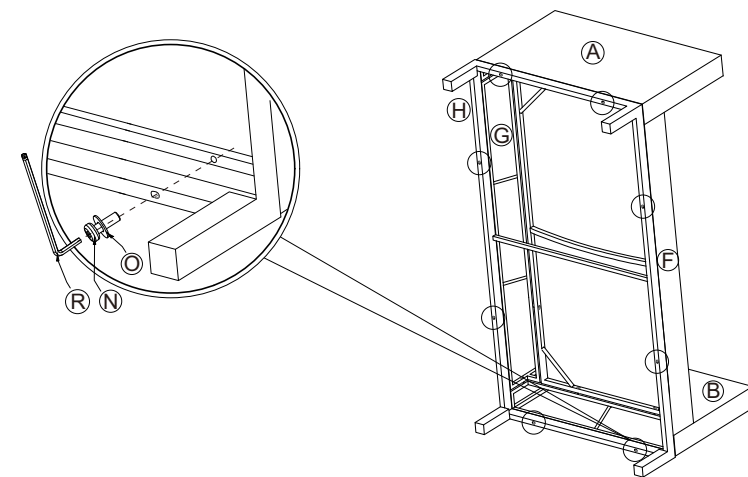
Step6



Step7



Step8



ASSEMBLY INSTRUCTIONS / NOTICE DE MONTAGE / INSTRUCCIONES DE MONTAJE

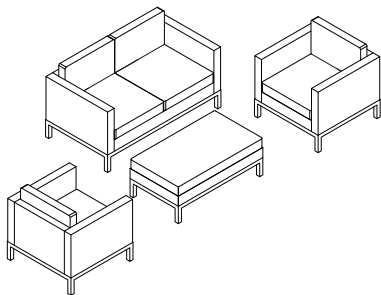
ITEM NO. / ARTICLE NO. / ARTICULO NO : DS-D323

DESCRIPTION / DESCRIPCIÓN : Metal Base Outdoor Set / Ensemble extérieur à base en métal / Base de metal para exteriores

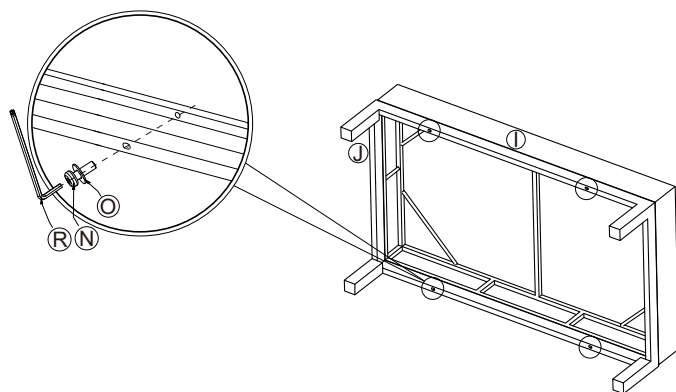
Step 9

Ottoman Table Assembly:

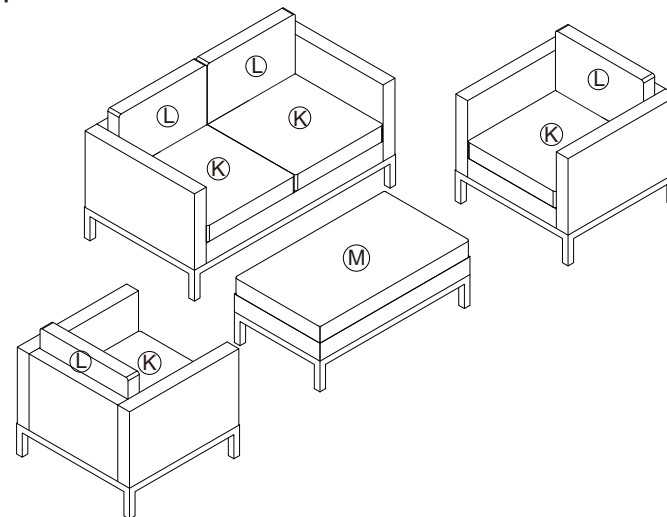
Align the bolt holes in Ottoman Table Base(J) with the bolt holes in the Table Panel (I) Add Washer (O) to Bolt (N). Insert the bolts and washers into the bolt holes and finger tighten, but do not tighten completely. After all four bolts have been finger tightened, making sure that the top and base are aligned, use provided Allen Wrench (R) to tighten all bolts completely.



Step9



Step10



Step 10

Place the assembled furniture in your desired location. Add Table Cushion (M), Seat Cushions (K), and Back Cushions (L).

Enjoy!