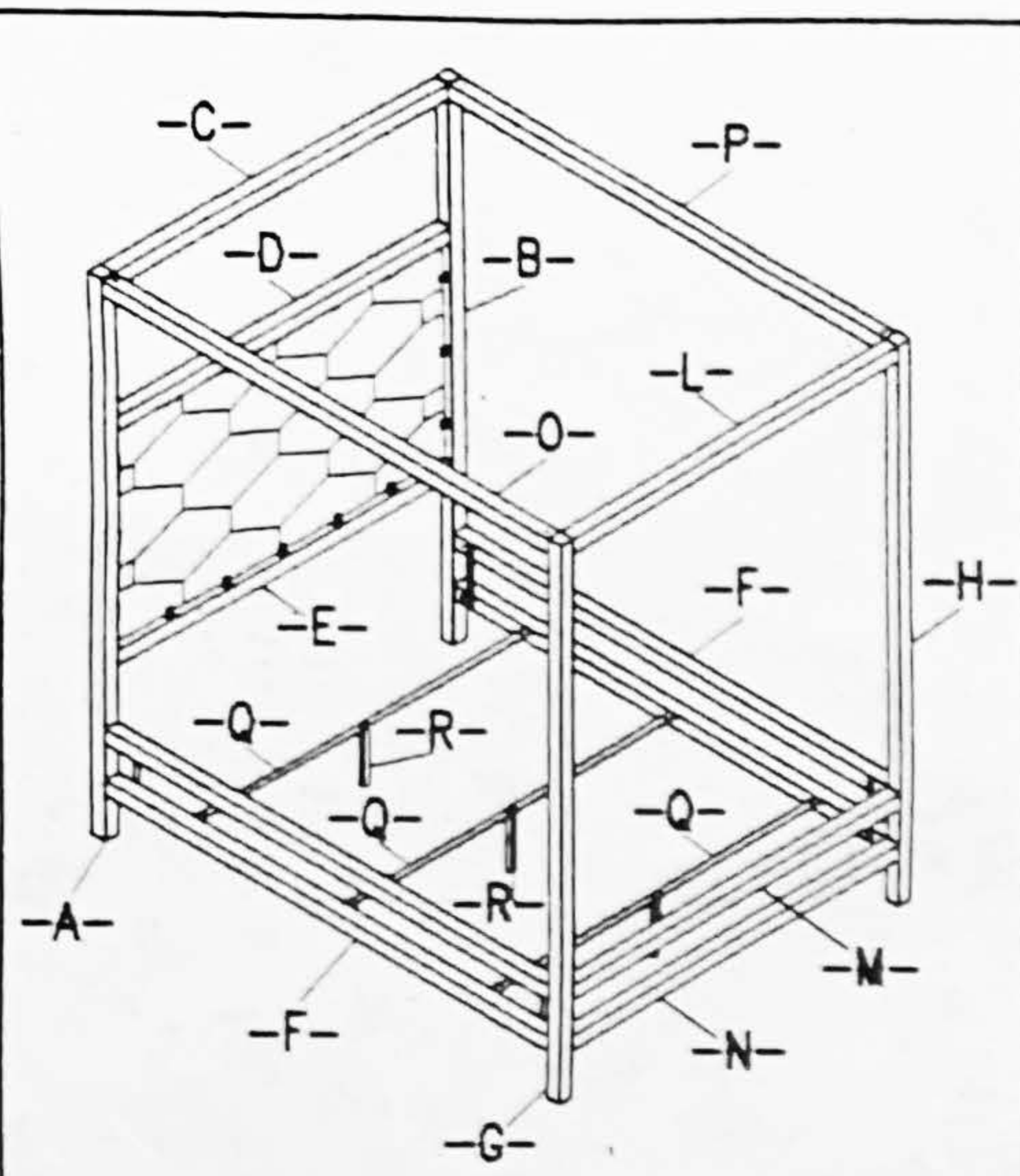
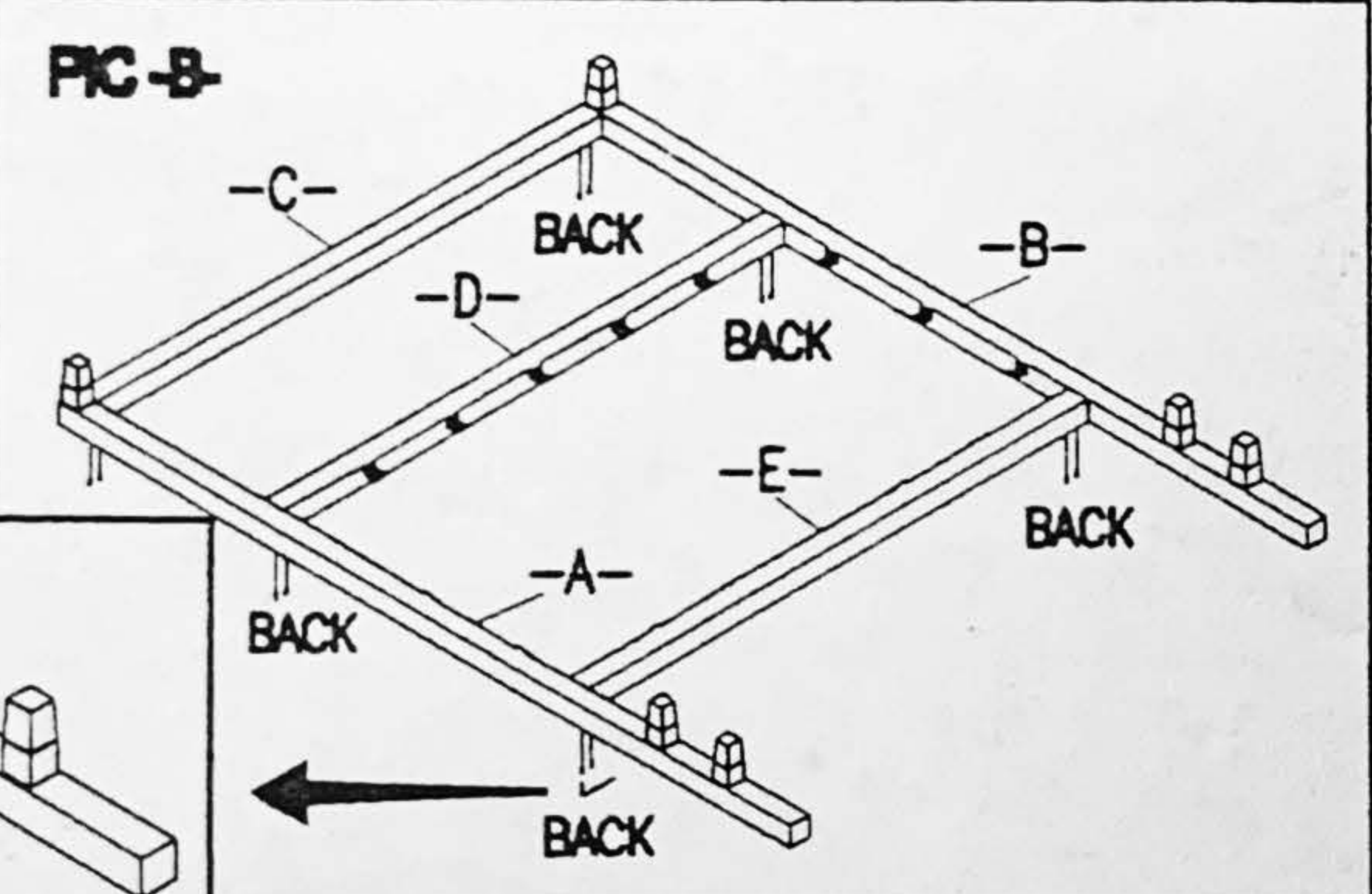
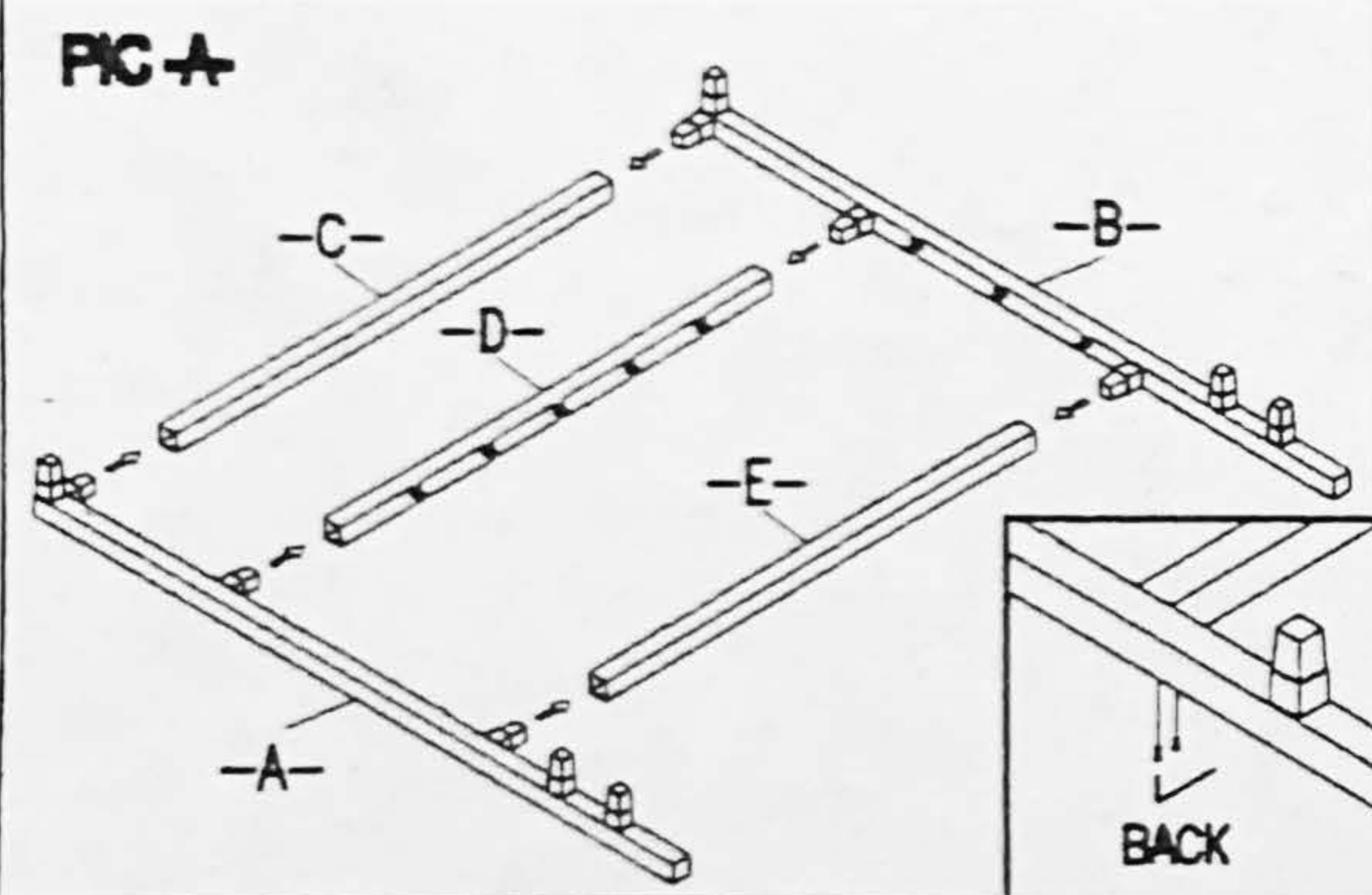


ATTENTION: THE HARDWARE BAG AND INSTRUCTIONS ARE INCLUDED INSIDE THE HEADBOARD PACKAGING.



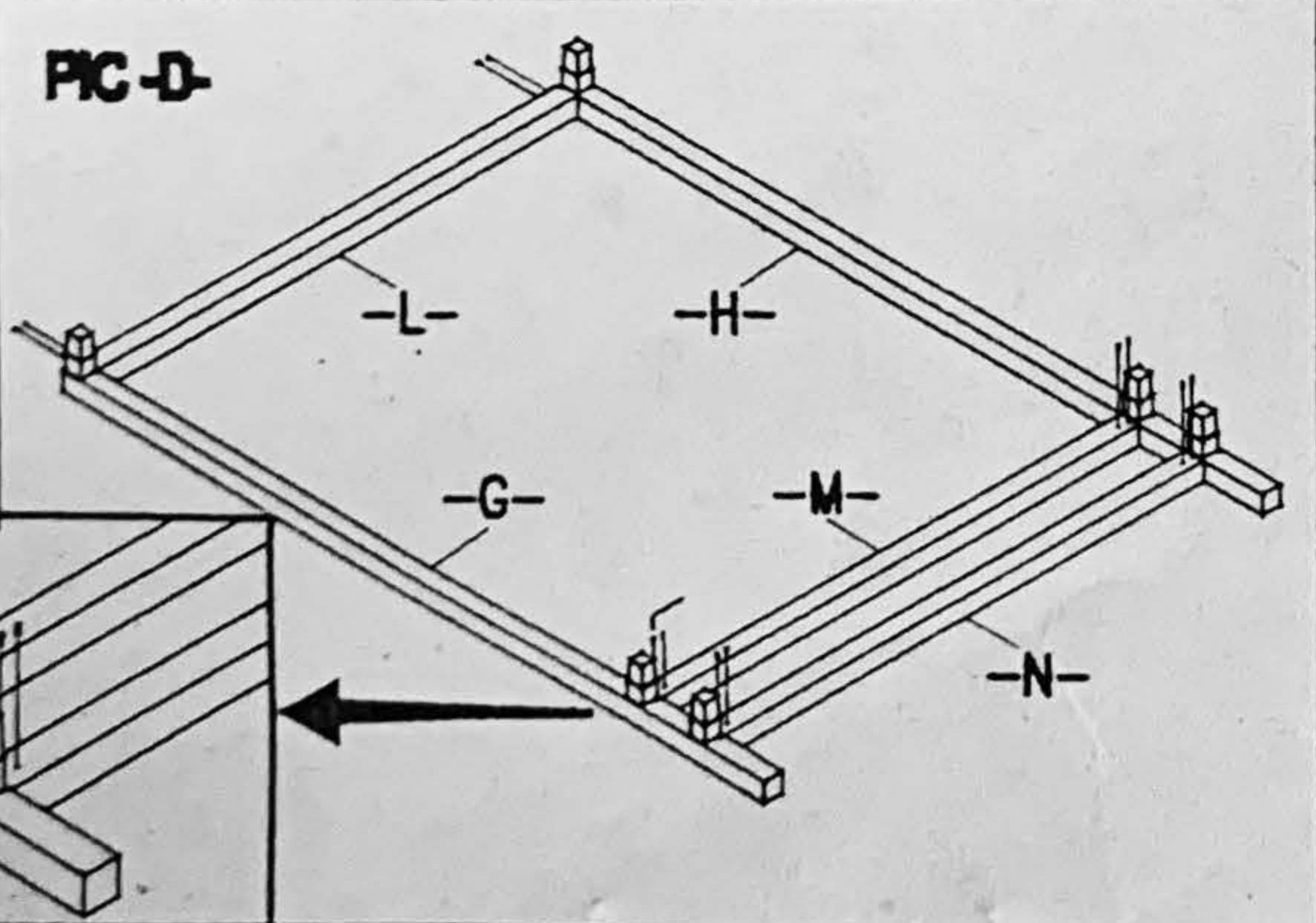
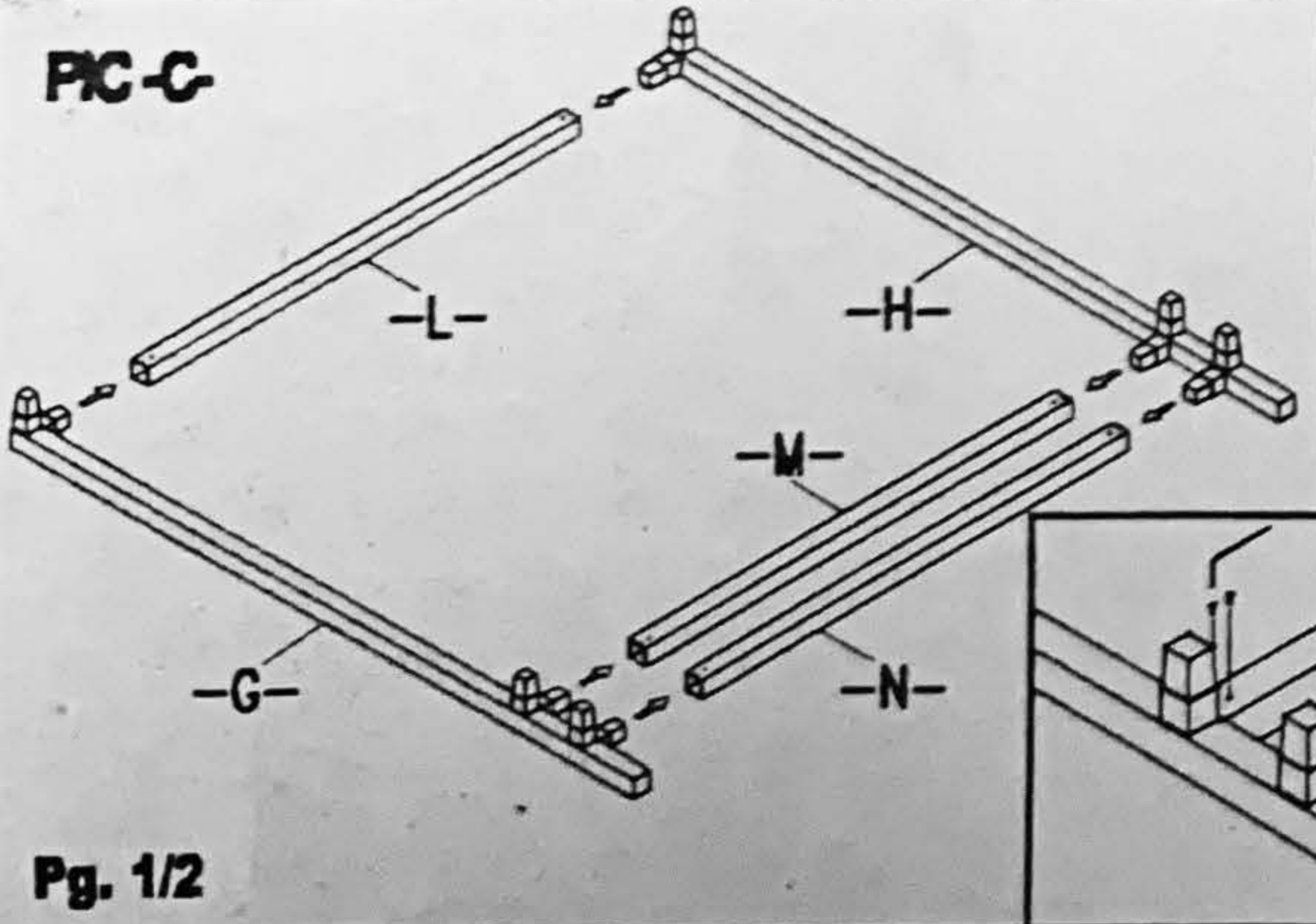
TO ASSEMBLE TWO PEOPLE REQUIRED

PARTS LIST			
Nr. 1 Lft	-A-	} 2"x2"x90" Post	
Nr. 1 Rgt	-B-		
Nr. 1	-C-	} 2"x2"x62"/78" Post	
Nr. 1	-L-		
Nr. 1	-M-		
Nr. 1	-N-	} 2"x2"x62"/78" Post	
Nr. 1	-D-		
Nr. 1	-E-		
Nr. 2	-F-	2"x2"x82" Post	
Nr. 1 Lft	-G-	} 2"x2"x90" Post	
Nr. 1 Rgt	-H-		
Nr. 1	-O-	} 2"x2"x82" Post	
Nr. 1	-P-		
Nr. 3	-Q-	1 1/2"x1 1/2"x62"/78" L Steel	
Nr. 3	-R-	Center Support Leg	
Nr. 60	-S-	Bolts M5x12	
Nr. 1	-T-	Allen Wrench	
Nr. 16	-U-	Screws TSP 4x16	



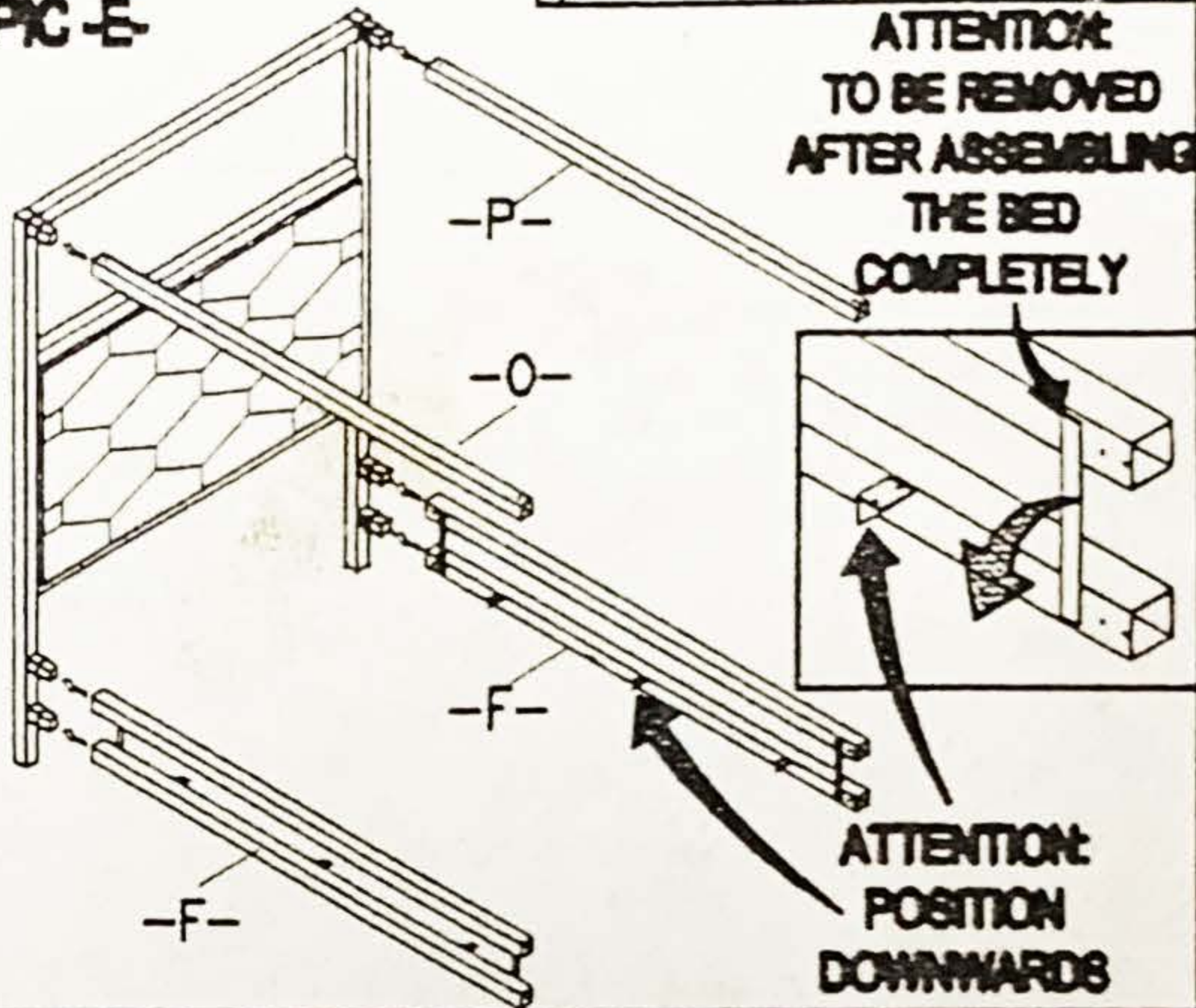
1) UNPACK THE CARTONS AND MAKE SURE YOU HAVE ALL THE PARTS REQUIRED
 2) ALIGN THE HEADBOARD POST AS SHOWN IN PIC -A-, TIGHTEN THE BOLTS M5x12 WITH THE ALLEN WRENCH AS SHOWN IN PIC -B-

3) ALIGN THE FOOTBOARD POST AS SHOWN IN PIC -C-, TIGHTEN THE BOLTS M5x12 WITH THE ALLEN WRENCH AS SHOWN IN PIC -D-

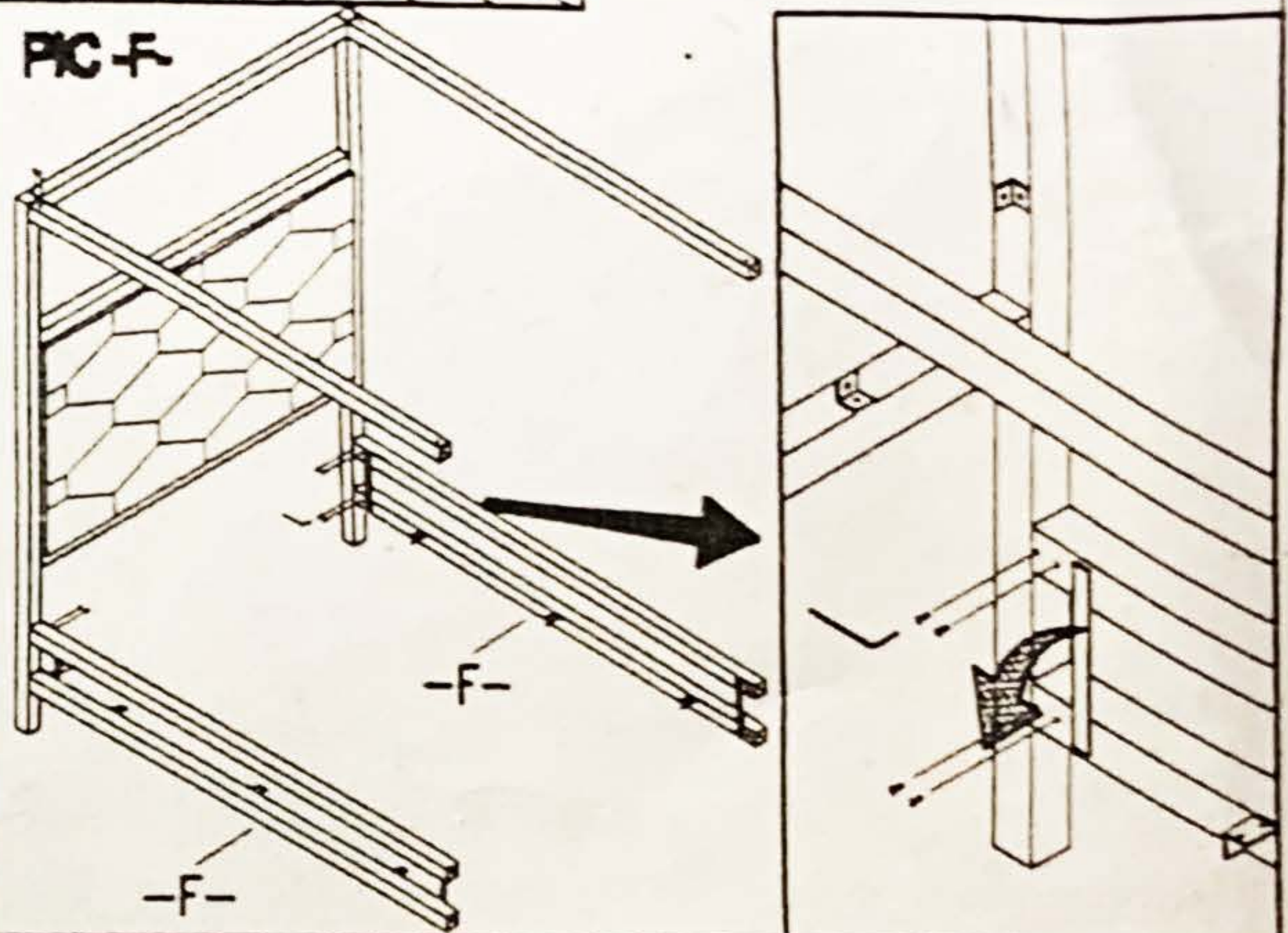


ATTENTION: EACH METAL BAR IS DORED FOR SCREWS. PLEASE ASSEMBLE THE METAL BARS FOR THE BORING TO ALION.

PIC -E-



PIC -F-

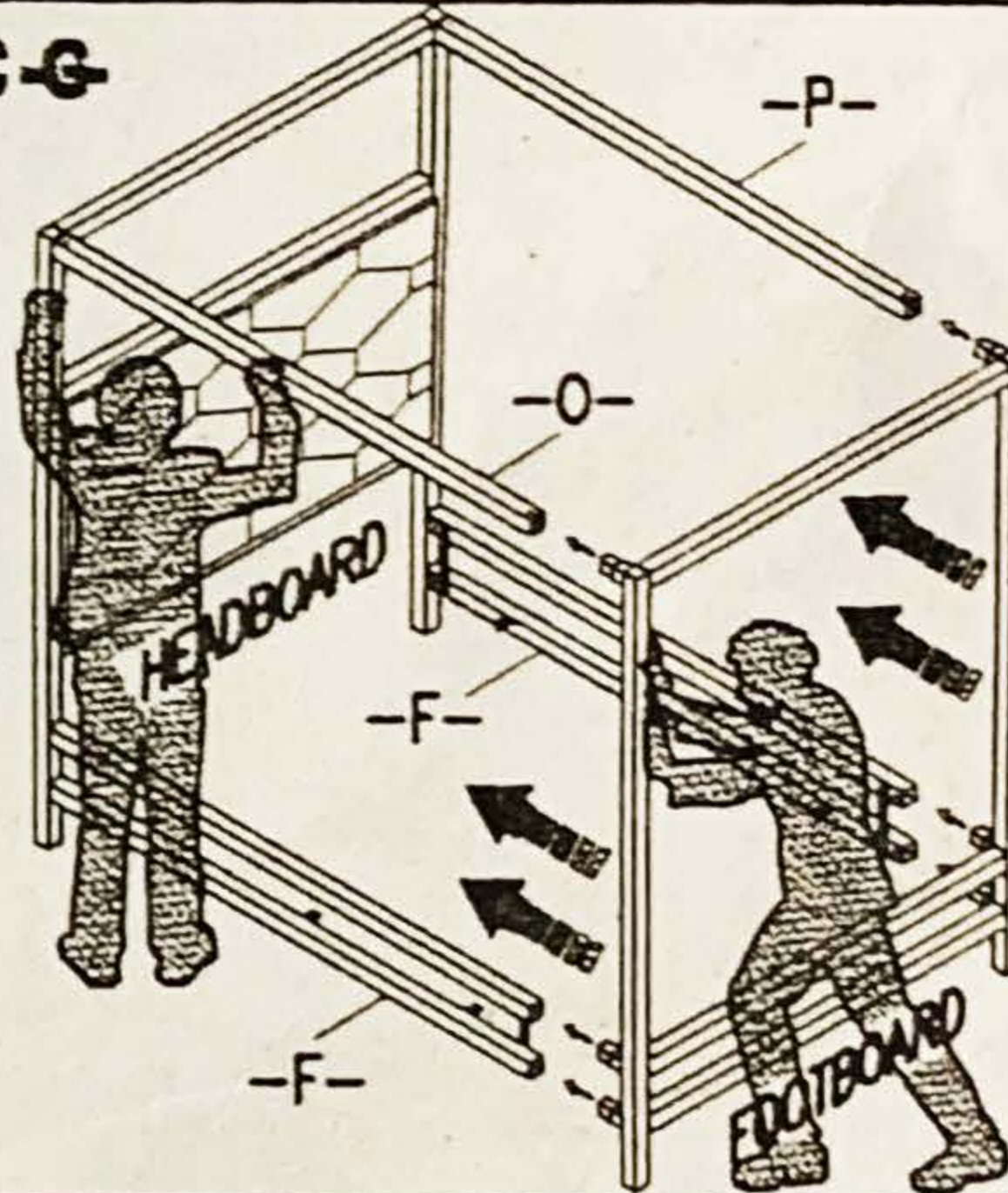


4) LAY THE HEADBOARD TO THE WALL AND ALIGN THE SIDE RAILS AS SHOWN IN PIC -E-. TIGHTEN THE BOLTS M5x12 WITH THE ALLEN WRENCH AS SHOWN IN PIC -F-

5) ALIGN THE FOOTBOARD WITH THE SIDE RAILS AS SHOWN IN PIC -G-, TIGHTEN THE BOLTS M5x12 WITH THE ALLEN WRENCH

PIC -G-

ATTENTION: DO NOT FULLY TIGHTEN THE SCREWS BEFORE ASSEMBLING THE BED COMPLETELY



6) ALIGN THE BED SLATS WITH THE SIDE RAILS. TIGHTEN THE BOLTS M5x12 WITH THE ALLEN WRENCH, THEN ALIGN THE CENTER SUPPORT LEGS WITH THE BED SLATS. TIGHTEN THE BOLTS M5x12 WITH THE ALLEN WRENCH AS SHOWN IN PIC -H-

PIC -H-

