



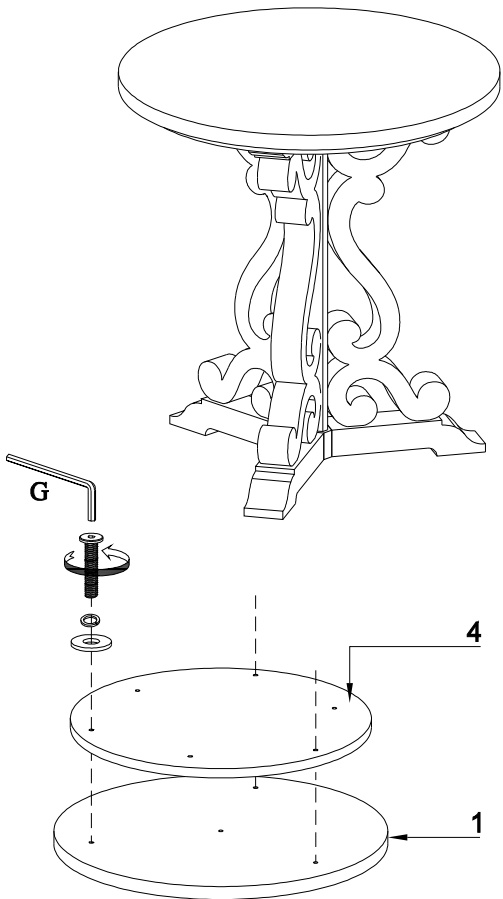
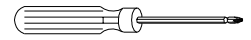
**ASSEMBLY INSTRUCTIONS**

ITEM NO: 008255-35 *Rnd Chrsd Tbl - Chart House Charcoal*

ITEM NO: 008305-35 *Rnd Chrsd Tbl - Chart House Gray*

Thank you for purchasing this quality product. Be sure to check all packing material carefully for small parts, that may have come loose inside the carton during shipment.

**TOOL REQUIRED (NOT PROVIDED):  
PHILLIPS SCREW DRIVER**



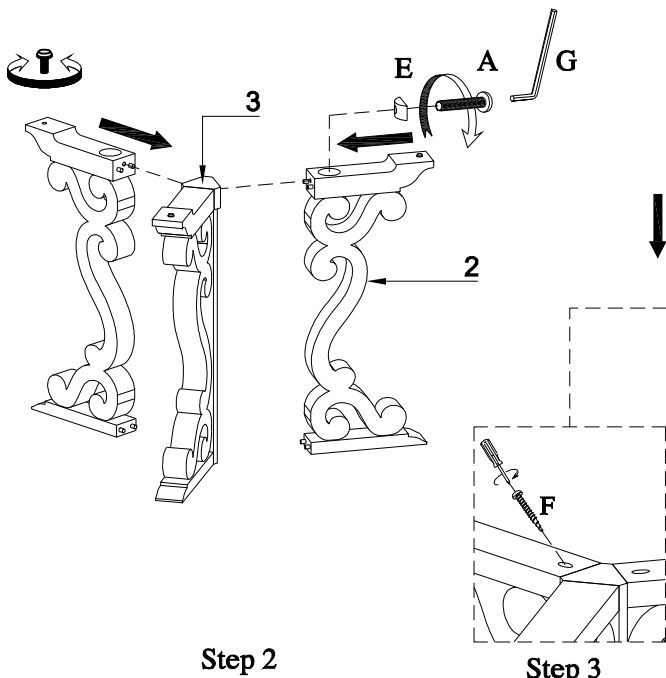
**Step 1: Release wood mending plate as show picture**

**HARDWARE LIST**

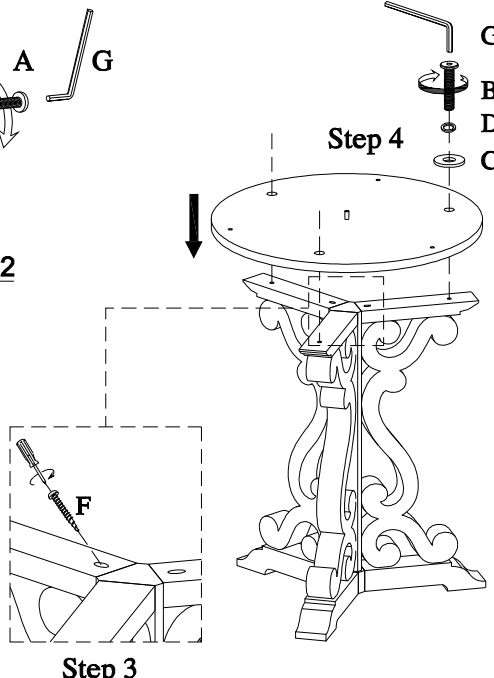
No.	Description		Q'ty
A		Bolt $\Phi$ 1/4"*50mm	2
B		Bolt $\Phi$ 1/4"*32mm	3
C		Flat washer $\Phi$ 9/ $\Phi$ 22mm	3
D		Lock washer $\Phi$ 9/ $\Phi$ 11mm	3
E		Half moon washer 15*40	2
F		Screw $\Phi$ 4* 40 mm	2
G		Allen key 4 mm	1
H		Straight allen key	1

**PARTS LIST**

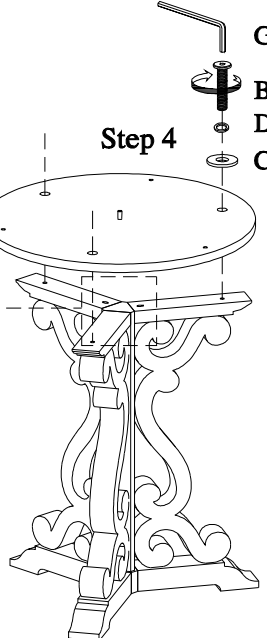
No.	Description	Picture	Q'ty
1	Table top		1
2	Fretwork		2
3	Leg frame		1
4	Wood mending plate		1



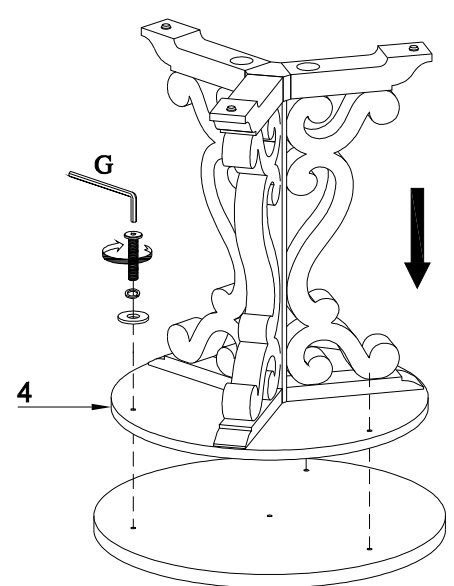
**Step 2**



**Step 3**



**Step 4**



**Step 5**

**MADE IN VIETNAM**