



AMERICAN SIGNATURE, INC.

ASSEMBLY INSTRUCTIONS

ITEM NO: OD8255-20 *Rct Dng Tbl - Chart House Charcoal*

ITEM NO: OD8305-20 *Rct Dng Tbl - Chart House Gray*

ITEM NO: OD8339-20 *Rct Dng Tbl - Chart House Nutmeg*



Thank you for purchasing this quality product. Be sure to check all packing material carefully for small parts, that may have come loose inside the carton during shipment.

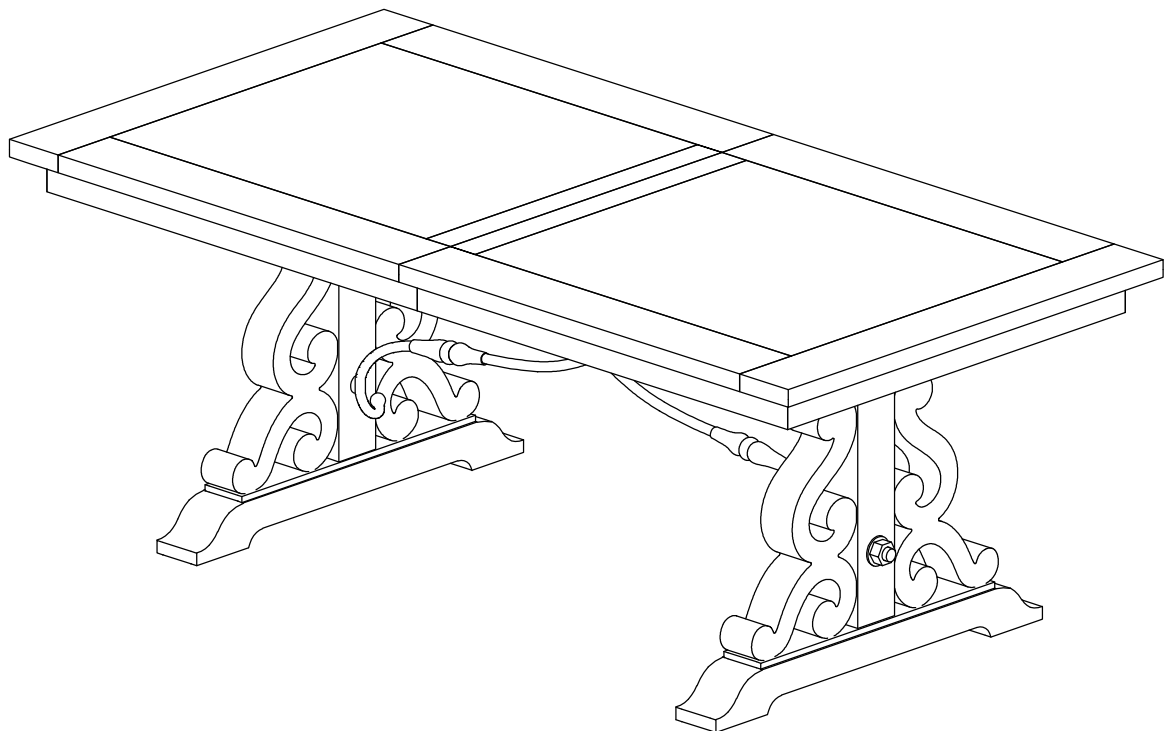
PARTS LIST

No.	Description	Picture	Q'ty
1	Table top		1
2	Legs frame		2
3	Wood stretcher		1
4	Metal stretcher		1

HARDWARE LIST

No.	Description			Q'ty
A		Bolt	Φ 1/4"*25mm	2
		Flat washer	Φ 6/Φ 19mm	
		Lock washer	Φ 6/Φ 9mm	
B		Bolt	Φ 5/16"*45mm	10
		Flat washer	Φ 9/Φ 22mm	
		Lock washer	Φ 9/Φ 11mm	
C		Wrench	10mm	1
D		Wrench	12mm	1
E		Wrench	42mm	1

**TOOL REQUIRED (NOT PROVIDED):
PHILLIPS SCREW DRIVER**





AMERICAN SIGNATURE, INC.

ASSEMBLY INSTRUCTIONS

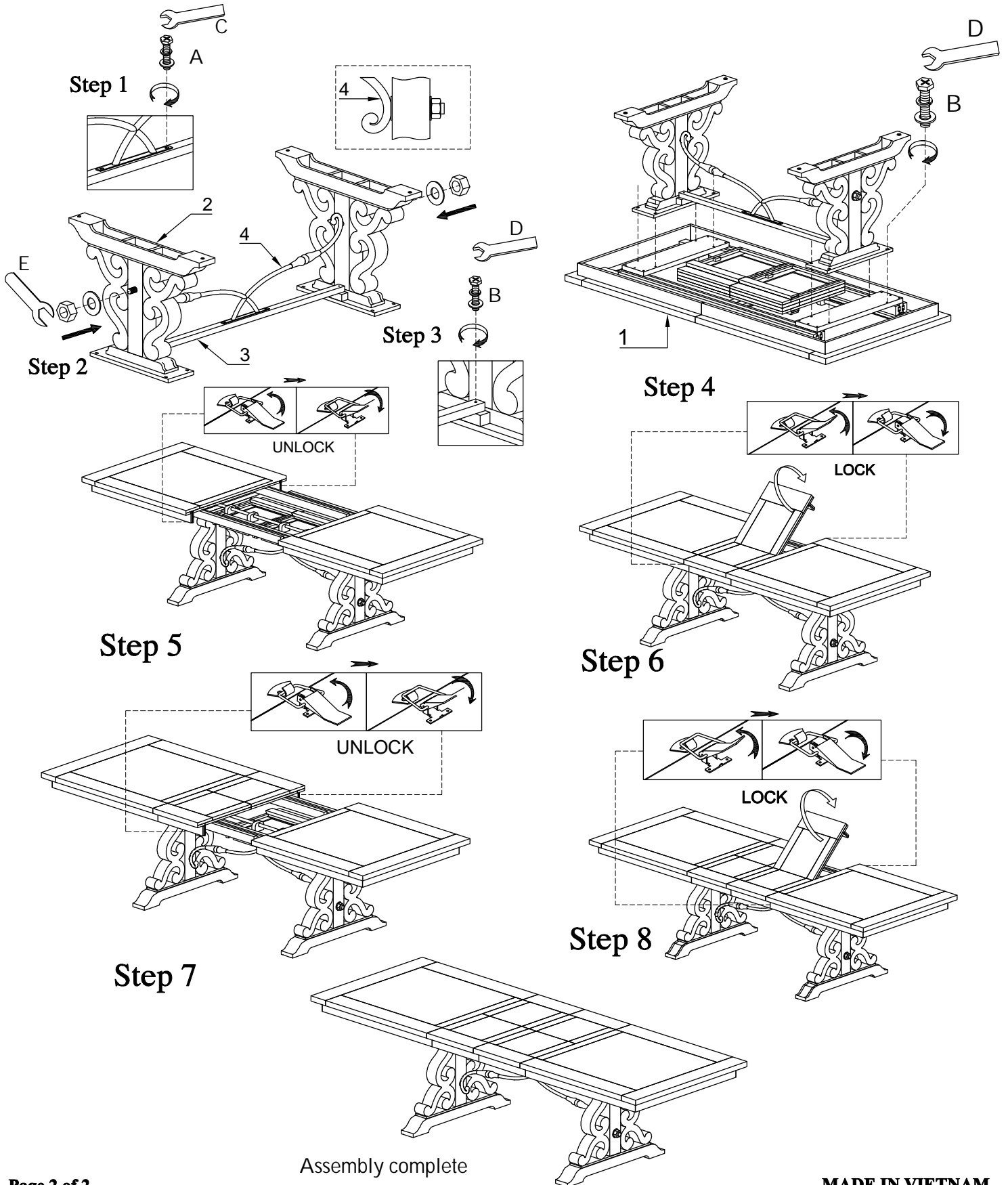
ITEM NO: OD8255-20 *Rct Dng Tbl - Chart House Charcoal*

ITEM NO: OD8305-20 *Rct Dng Tbl - Chart House Gray*

ITEM NO: OD8339-20 *Rct Dng Tbl - Chart House Nutmeg*



Thank you for purchasing this quality product. Be sure to check all packing material carefully for small parts, that may have come loose inside the carton during shipment.





AMERICAN SIGNATURE, INC.



ASSEMBLY INSTRUCTIONS

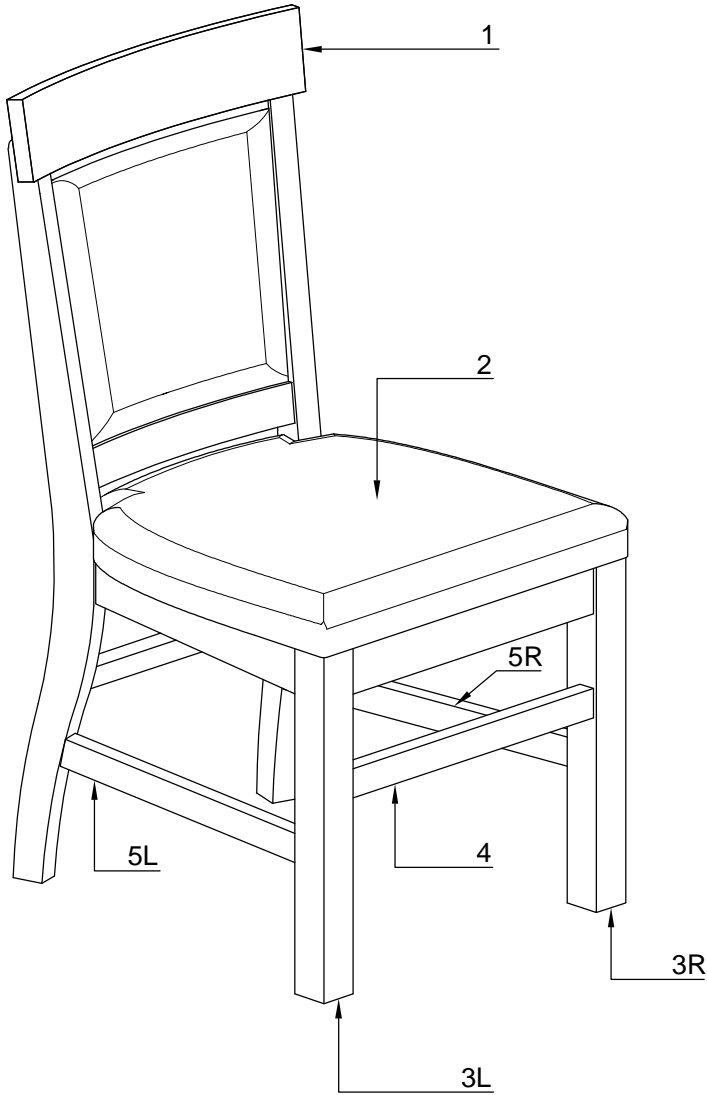
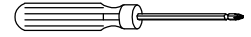
ITEM NO: OD8255-64 Uph Bk Sd Chr - Chart House Charcoal

ITEM NO: OD8305-64 Uph Bk Sd Chr - Chart House Gray

ITEM NO: OD8339-64 Uph Bk Sd Chr - Chart House Nutmeg

Thank you for purchasing this quality product. Be sure to check all packing material carefully for small parts, that may have come loose inside the carton during shipment.

**TOOL REQUIRED (NOT PROVIDED):
PHILLIPS SCREW DRIVER**



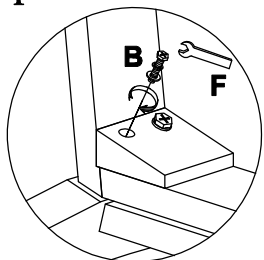
HARDWARE LIST

No.	Description			Q'ty
A		Bolt	Φ 5/16" * 32mm	3
		Flat washer	Φ 9 / Φ 22mm	
		Lock washer	Φ 9 / Φ 11mm	
B		Bolt	Φ 5/16" * 70mm	4
		Flat washer	Φ 9 / Φ 22mm	
		Lock washer	Φ 9 / Φ 11mm	
C		Flat washer	Φ 9 / Φ 22mm	4
D		Lock washer	Φ 9 / Φ 11mm	4
E		Nut	5/16"	4
F		Wrench	12mm	1
G		Screw	Φ 4 * 40	6

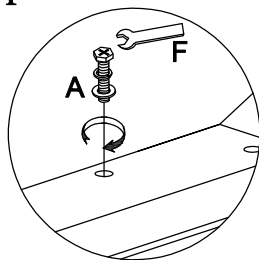
PARTS LIST

No.	Description	Picture	Q'ty
1	Chair back		1
2	Seat frame		1
3	Left & Right legs		2
4	Front stretcher		1
5	Left & Right stretchers		2

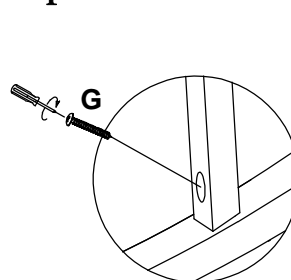
Step 1



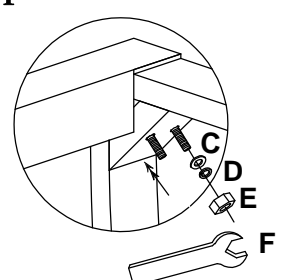
Step 2



Step 3



Step 4



MADE IN VIETNAM



AMERICAN SIGNATURE, INC.



ASSEMBLY INSTRUCTIONS

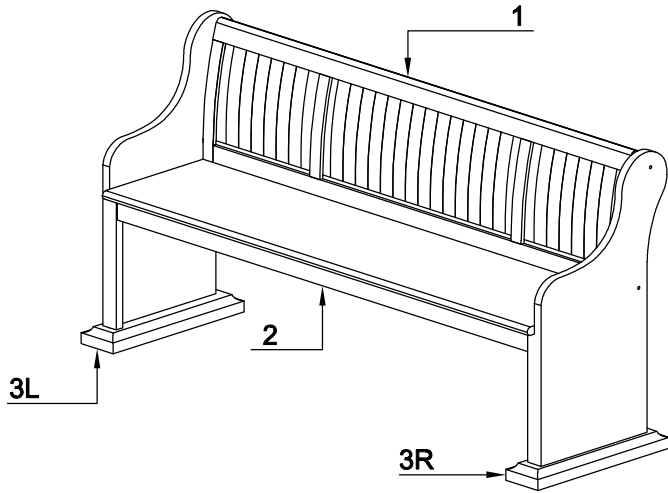
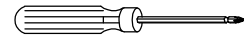
ITEM NO: OD8255-79 Dining Bench - Chart House Charcoal

ITEM NO: OD8305-79 Dining Bench - Chart House Gray

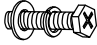





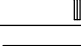
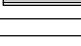

ITEM NO: OD8339-79 Dining Bench - Chart House Nutmeg

Thank you for purchasing this quality product. Be sure to check all packing material carefully for small parts, that may have come loose inside the carton during shipment.

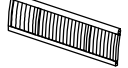
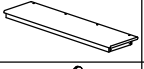

**TOOL REQUIRED (NOT PROVIDED):
PHILLIPS SCREW DRIVER**

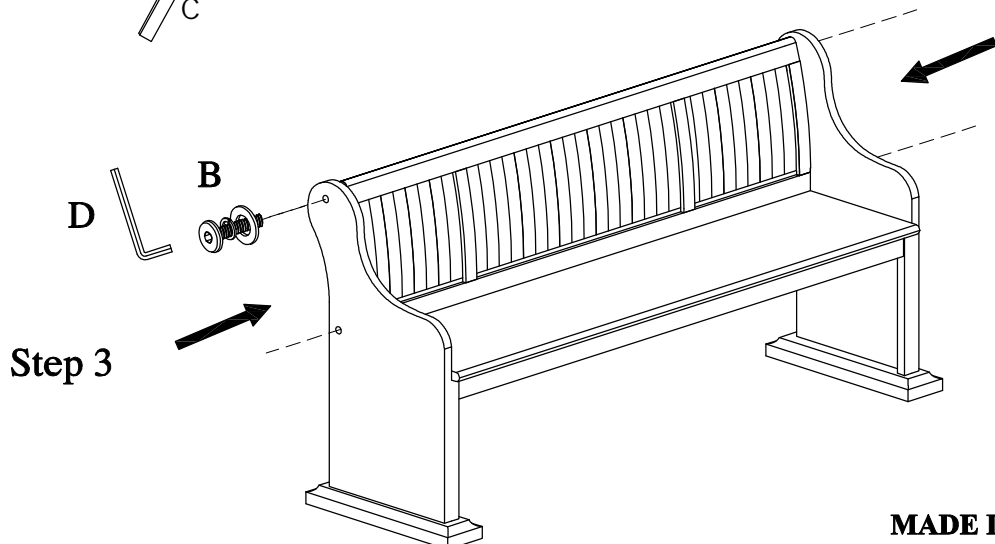
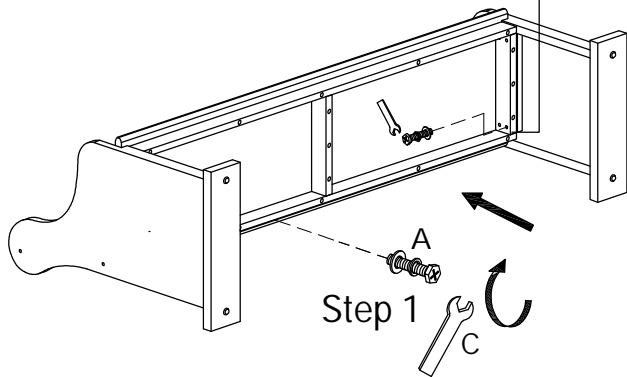
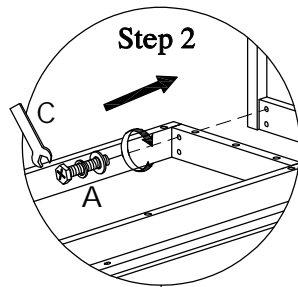


HARDWARE LIST

No.	Description			Q'ty
A		Bolt	Φ 5/16" * 50mm	12
		Flat washer	Φ 9 / Φ 22mm	
		Lock washer	Φ 9 / Φ 11mm	
B		Bolt	Φ 1/4" * 38mm	4
		Flat washer	Φ 6 / Φ 19mm	
		Lock washer	Φ 6 / Φ 9mm	
C		Wrench	12mm	1
D		Allen key	4mm	1
E		Straight allen key	4mm	1

PARTS LIST

No.	Description	Picture	Q'ty
1	Back frame		1
2	Seat frame		1
3	Left & Right legs		2



MADE IN VIETNAM