



AMERICAN SIGNATURE, INC.

ASSEMBLY INSTRUCTIONS

ITEM NO: OD8255-42 Cntr Ht Tbl - Chart House Charcoal

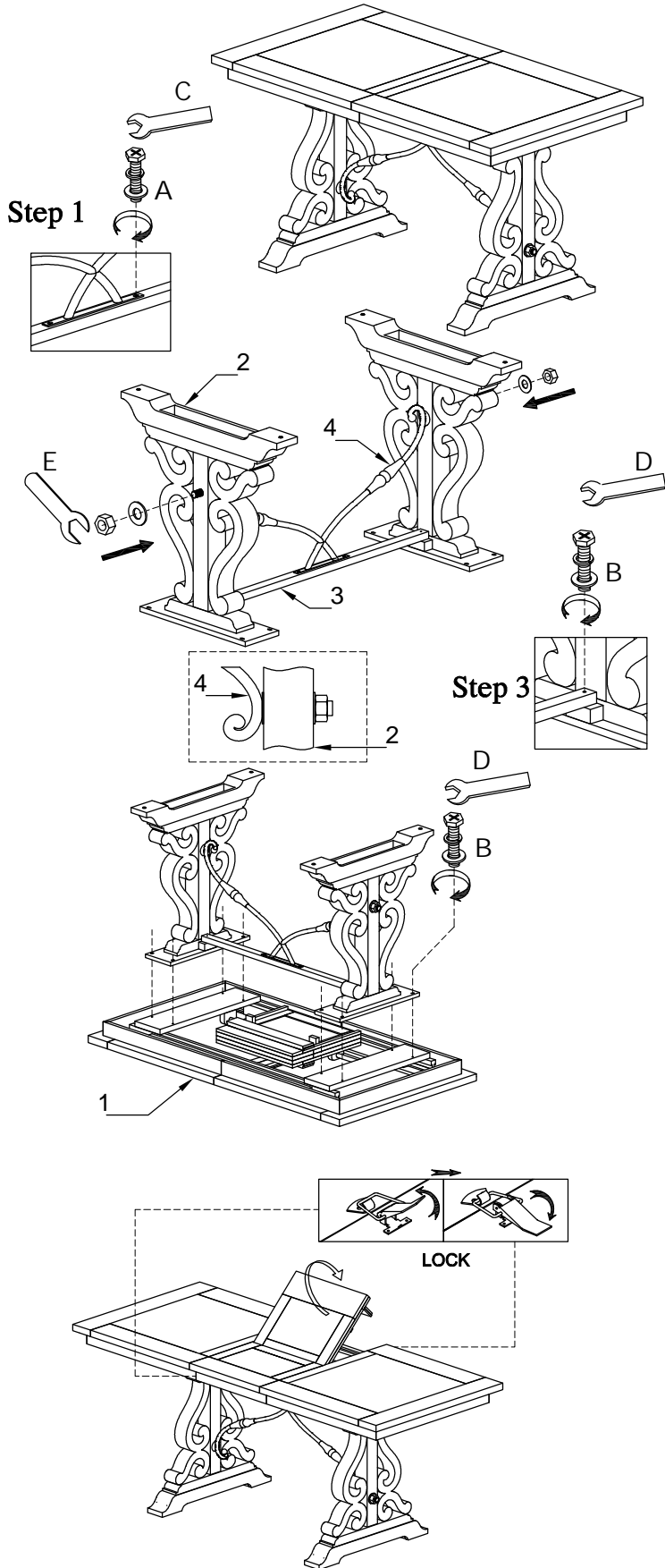
ITEM NO: OD8305-42 Cntr Ht Tbl - Chart House Gray

ITEM NO: OD8339-42 Cntr Ht Tbl - Chart House Nutmeg



Thank you for purchasing this quality product. Be sure to check all packing material carefully for small parts, that may have come loose inside the carton during shipment.

**TOOL REQUIRED (NOT PROVIDED):
PHILLIPS SCREW DRIVER**

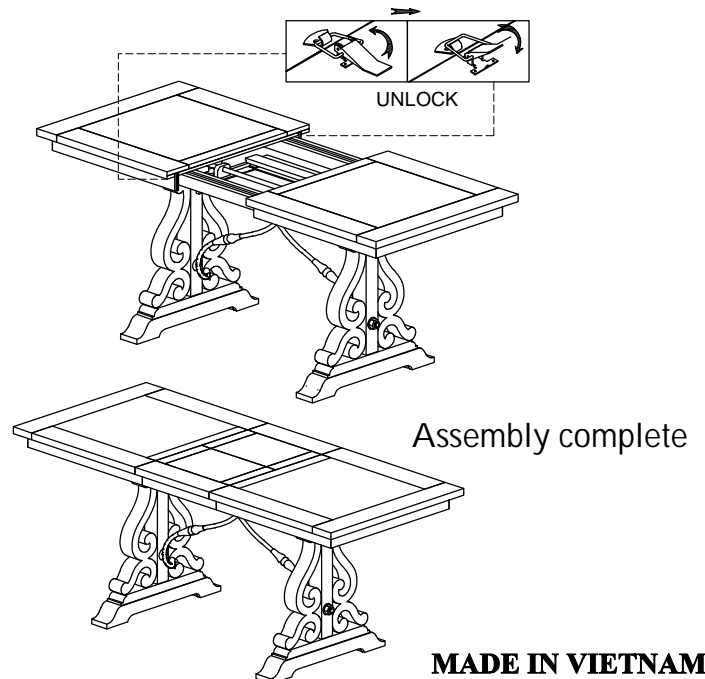


HARDWARE LIST

No.	Description			Q'ty
A		Bolt	Φ 1/4"*25mm	2
		Flat washer	Φ6/Φ 19mm	
		Lock washer	Φ6/Φ 9mm	
B		Bolt	Φ 5/16"*45mm	10
		Flat washer	Φ9/Φ 22mm	
		Lock washer	Φ9/Φ 11mm	
C		Wrench	10mm	1
D		Wrench	12mm	1
E		Wrench	42mm	1

PARTS LIST

No.	Description	Picture	Q'ty
1	Table top		1
2	Legs frame		2
3	Wood stretcher		1
4	Metal stretcher		1





AMERICAN SIGNATURE, INC.



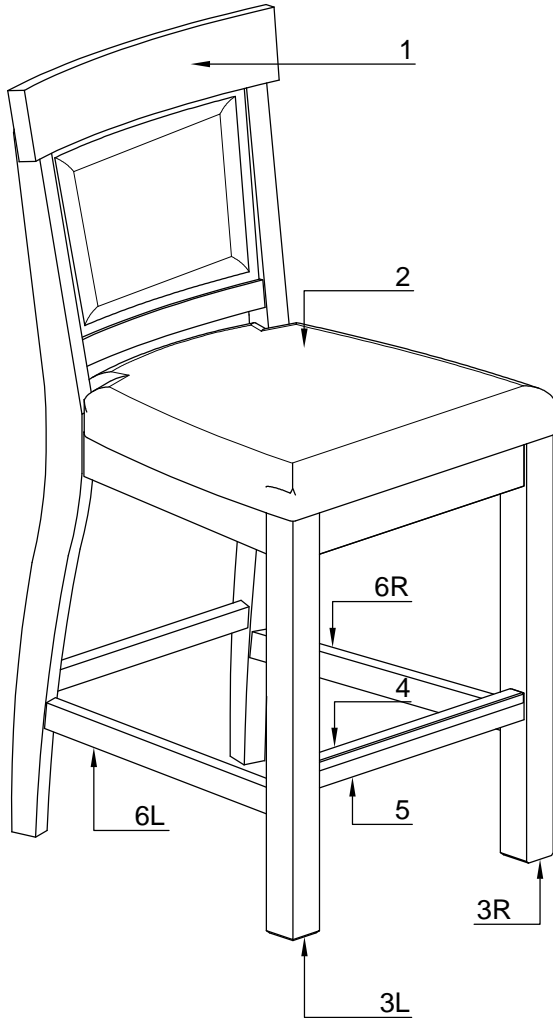
ASSEMBLY INSTRUCTIONS

ITEM NO: OD8255-84 Uph Bk Cntr Stl - Chart House Charcoal

ITEM NO: OD8305-84 Uph Bk Cntr Stl - Chart House Gray

ITEM NO: OD8339-84 Uph Bk Cntr Stl - Chart House Nutmeg

Thank you for purchasing this quality product. Be sure to check all packing material carefully for small parts, that may have come loose inside the carton during shipment.



**TOOL REQUIRED (NOT PROVIDED):
PHILLIPS SCREW DRIVER**



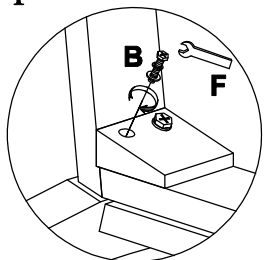
HARDWARE LIST

No.	Description			Q'ty
A		Bolt	Φ5/16"*32mm	3
		Flat washer	Φ9/Φ22mm	
		Lock washer	Φ9/Φ11mm	
B		Bolt	Φ5/16"*70mm	4
		Flat washer	Φ9/Φ22mm	
		Lock washer	Φ9/Φ11mm	
C		Flat washer	Φ9/Φ22mm	4
D		Lock washer	Φ9/Φ11mm	4
E		Nut	5/16"	4
F		Wrench	12mm	1
G		Screw	Φ4*40	6

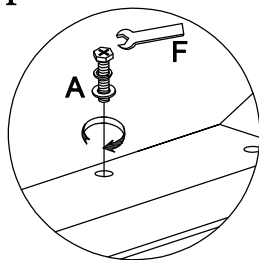
PARTS LIST

No.	Description	Picture	Q'ty
1	Chair back		1
2	Seat frame		1
3	Left & Right legs		2
4	Metal kick plate (pre-attachment)		1
5	Front stretcher		1
6	Left & Right stretchers		2

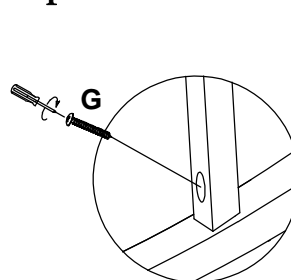
Step 1



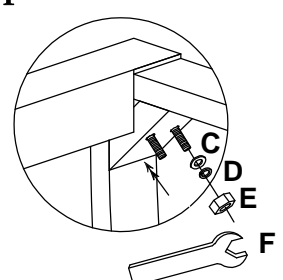
Step 2



Step 3



Step 4



MADE IN VIETNAM