



AMERICAN SIGNATURE, INC.

ASSEMBLY INSTRUCTIONS

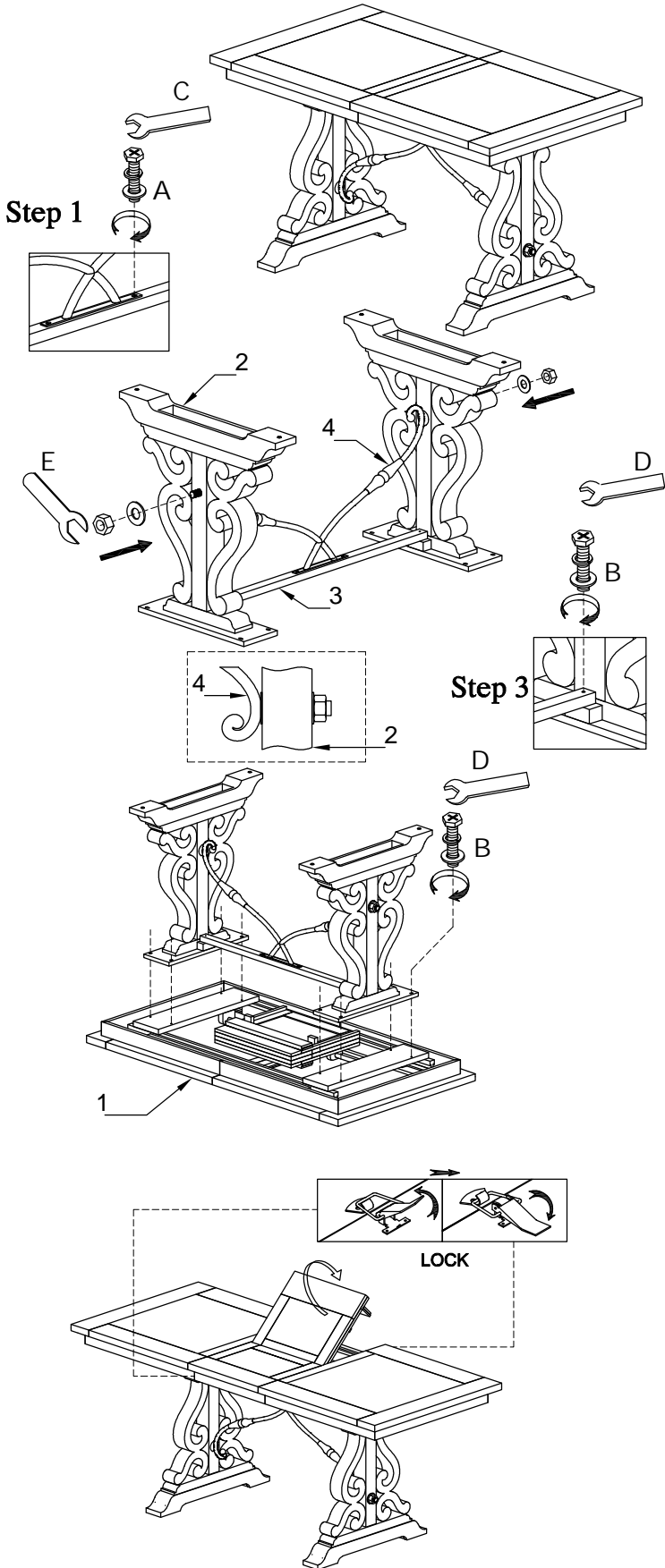
ITEM NO: OD8255-42 Cntr Ht Tbl - Chart House Charcoal

ITEM NO: OD8305-42 Cntr Ht Tbl - Chart House Gray

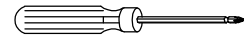
ITEM NO: OD8339-42 Cntr Ht Tbl - Chart House Nutmeg



Thank you for purchasing this quality product. Be sure to check all packing material carefully for small parts, that may have come loose inside the carton during shipment.



**TOOL REQUIRED (NOT PROVIDED):
PHILLIPS SCREW DRIVER**

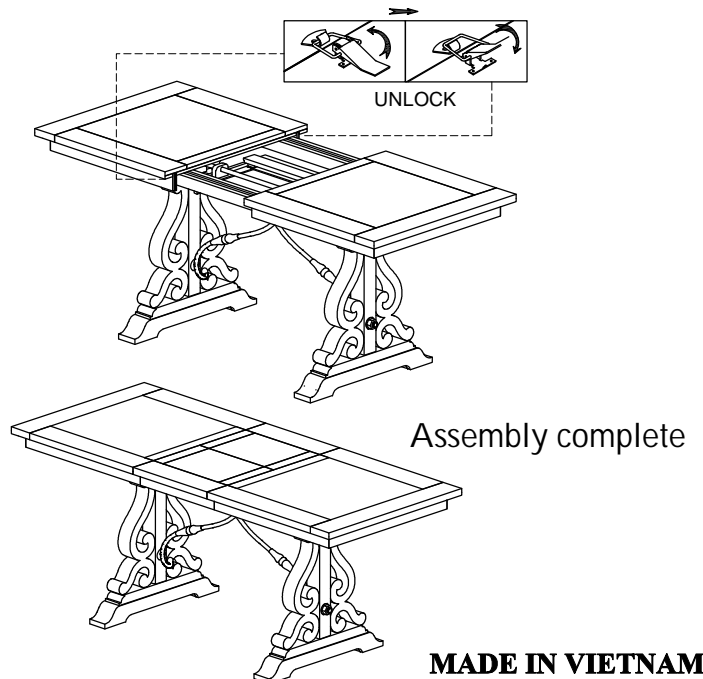


HARDWARE LIST

| No. | Description | | | Q'ty |
|-----|-------------|-------------|--------------|------|
| A | | Bolt | Φ 1/4"*25mm | 2 |
| | | Flat washer | Φ6/Φ 19mm | |
| | | Lock washer | Φ6/Φ 9mm | |
| B | | Bolt | Φ 5/16"*45mm | 10 |
| | | Flat washer | Φ9/Φ 22mm | |
| | | Lock washer | Φ9/Φ 11mm | |
| C | | Wrench | 10mm | 1 |
| D | | Wrench | 12mm | 1 |
| E | | Wrench | 42mm | 1 |

PARTS LIST

| No. | Description | Picture | Q'ty |
|-----|-----------------|---------|------|
| 1 | Table top | | 1 |
| 2 | Legs frame | | 2 |
| 3 | Wood stretcher | | 1 |
| 4 | Metal stretcher | | 1 |





AMERICAN SIGNATURE, INC.



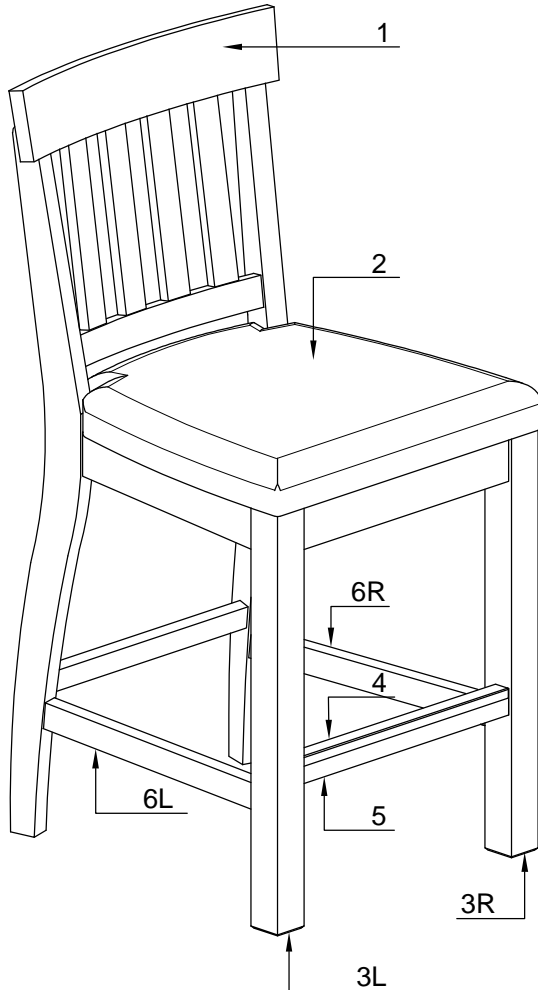
ASSEMBLY INSTRUCTIONS

ITEM NO: OD8255-82 *Slat Bk Ctr Stl - Chart House Charcoal*

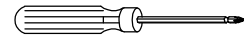
ITEM NO: OD8305-82 *Slat Bk Ctr Stl - Chart House Gray*

ITEM NO: OD8339-82 *Slat Bk Ctr Stl - Chart House Nutmeg*

Thank you for purchasing this quality product. Be sure to check all packing material carefully for small parts, that may have come loose inside the carton during shipment.



**TOOL REQUIRED (NOT PROVIDED):
PHILLIPS SCREW DRIVER**



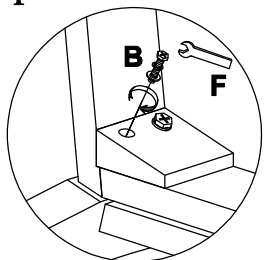
HARDWARE LIST

| No. | Description | | | Q'ty |
|-----|-------------|-------------|-------------|------|
| A | | Bolt | Φ5/16"*32mm | 3 |
| | | Flat washer | Φ9/Φ22mm | |
| | | Lock washer | Φ9/Φ11mm | |
| B | | Bolt | Φ5/16"*70mm | 4 |
| | | Flat washer | Φ9/Φ22mm | |
| | | Lock washer | Φ9/Φ11mm | |
| C | | Flat washer | Φ9/Φ22mm | 4 |
| D | | Lock washer | Φ9/Φ11mm | 4 |
| E | | Nut | 5/16" | 4 |
| F | | Wrench | 12mm | 1 |
| G | | Screw | Φ4*40 | 6 |

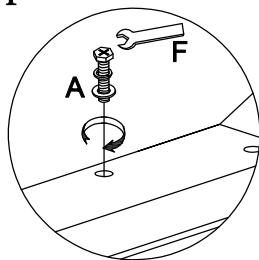
PARTS LIST

| No. | Description | Picture | Q'ty |
|-----|-----------------------------------|---------|------|
| 1 | Chair back | | 1 |
| 2 | Seat frame | | 1 |
| 3 | Left & Right legs | | 2 |
| 4 | Metal kick plate (pre-attachment) | | 1 |
| 5 | Front stretcher | | 1 |
| 6 | Left & Right stretchers | | 2 |

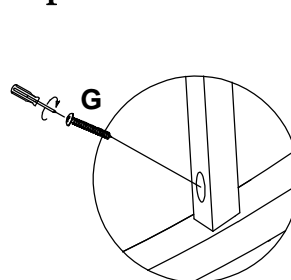
Step 1



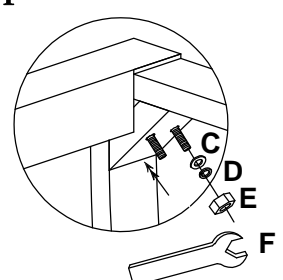
Step 2



Step 3



Step 4



MADE IN VIETNAM