



AMERICAN SIGNATURE, INC.

### ASSEMBLY INSTRUCTIONS

ITEM NO: OD8255-20 *Rct Dng Tbl - Chart House Charcoal*

ITEM NO: OD8305-20 *Rct Dng Tbl - Chart House Gray*



Thank you for purchasing this quality product. Be sure to check all packing material carefully for small parts, that may have come loose inside the carton during shipment.

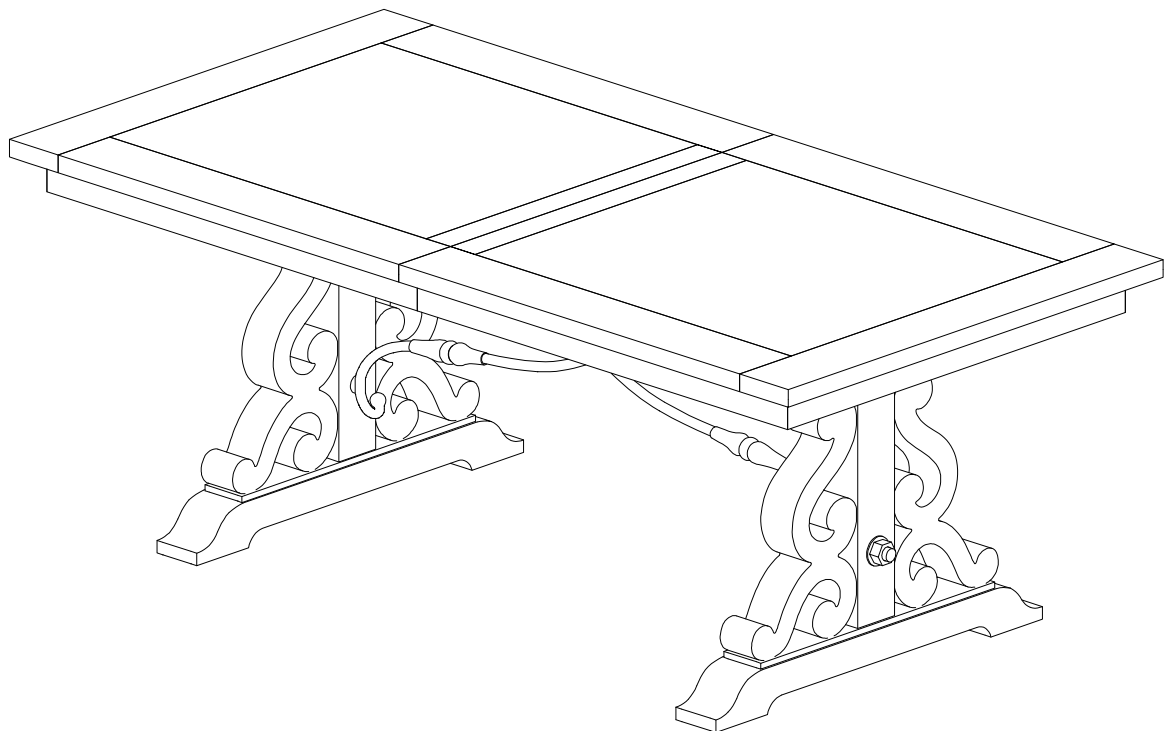
#### PARTS LIST

No.	Description	Picture	Q'ty
1	Table top		1
2	Legs frame		2
3	Wood stretcher		1
4	Metal stretcher		1

#### HARDWARE LIST

No.	Description			Q'ty
A		Bolt	Φ 1/4"*25mm	2
B		Bolt	Φ 5/16"*45mm	10
C		Flat washer	Φ 9/Φ 22mm	10
D		Lock washer	Φ 9/Φ 11mm	10
E		Flat washer	Φ 6/Φ 19mm	2
F		Lock washer	Φ 6/Φ 9mm	2
G		Nut	M27	2
H		Flat washer	Φ 28/Φ 58mm	2
I		Wrench	10mm	1
J		Wrench	12mm	1
K		Wrench	42mm	1

**TOOL REQUIRED (NOT PROVIDED):  
PHILLIPS SCREW DRIVER**





AMERICAN SIGNATURE, INC.

# ASSEMBLY INSTRUCTIONS

ITEM NO: OD8255-20 *Rct Dng Tbl - Chart House Charcoal*

ITEM NO: OD8305-20 *Rct Dng Tbl - Chart House Gray*



Thank you for purchasing this quality product. Be sure to check all packing material carefully for small parts, that may have come loose inside the carton during shipment.

