



AMERICAN SIGNATURE, INC.

# ASSEMBLY INSTRUCTIONS

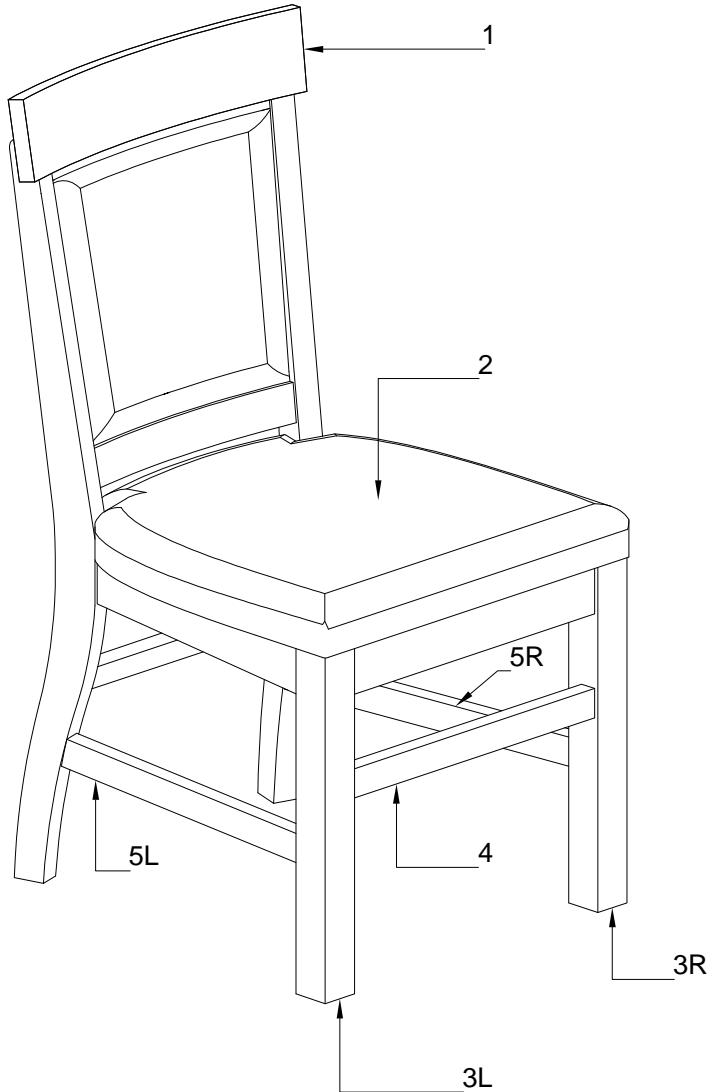
ITEM NO: OD8255-64 Uph Bk Sd Chr - Chart House Charcoal

ITEM NO: OD8305-64 Uph Bk Sd Chr - Chart House Gray



Thank you for purchasing this quality product. Be sure to check all packing material carefully for small parts, that may have come loose inside the carton during shipment.

**TOOL REQUIRED (NOT PROVIDED):  
PHILLIPS SCREW DRIVER**



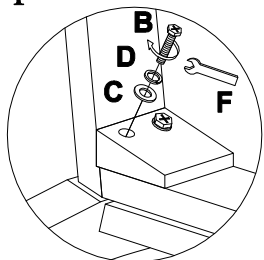
## HARDWARE LIST

No.	Description			Q'ty
A		Bolt	Φ 5/16"*38mm	3
B		Bolt	Φ 5/16"*70mm	4
C		Flat washer	Φ 9/Φ 22mm	11
D		Lock washer	Φ 9/Φ 11mm	11
E		Nut	5/16"	4
F		Wrench	12mm	1
G		Screw	Φ 4*40	6

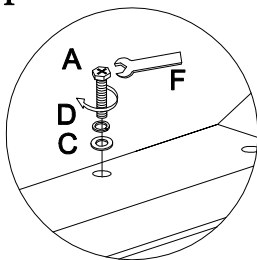
## PARTS LIST

No.	Description	Picture	Q'ty
1	Chair back		1
2	Seat frame		1
3	Left & Right legs		2
4	Front stretcher		1
5	Left & Right stretchers		2

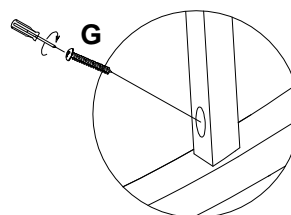
Step 1



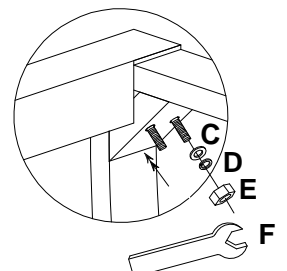
Step 2



Step 3



Step 4



MADE IN VIETNAM