

# Assembly Instructions






BDREGEDR DRESSER-CHARLIE WHITE  
BDREGEDRB DRESSER-CHARLIE BLACK

Thank you for purchasing this quality product. Be sure to check all packing materials carefully for small parts, which may have come loose inside the carton during shipment. Identify and count all parts and compare with the **HARDWARE LIST** below.

**Caution:** Please read instructions thoroughly before unpacking assembly parts.

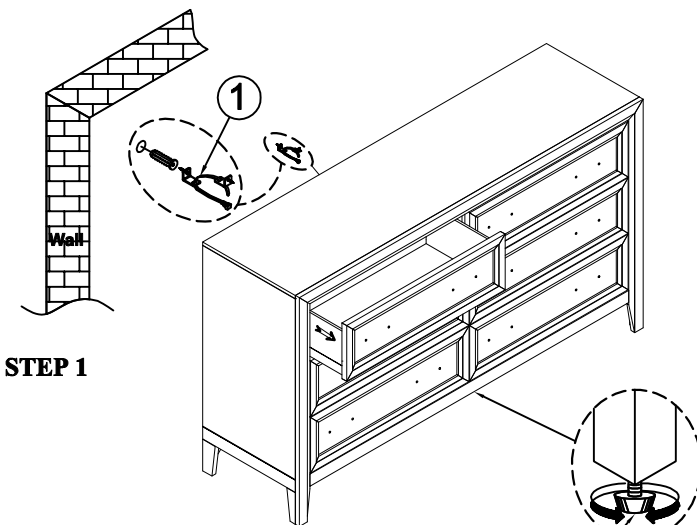
1. We recommend that you assemble this product with the assistance of another person; this will make assembly easier, and will help to eliminate damage to the product or injury to persons during assembly.
2. Please do not over tighten screws or bolts until the assembly is completed.
3. Please put all parts on a non-abrasive floor before assembly, and follow the assembly steps to assemble your newly purchased product correctly and efficiently.

NO.	Parts List		Q' TY
A		DRESSER	1
		PHILLIPS HEAD SCREW DRIVER	1

NO.	Hardware List		Q' TY
1		Furniture tipping restraint	1

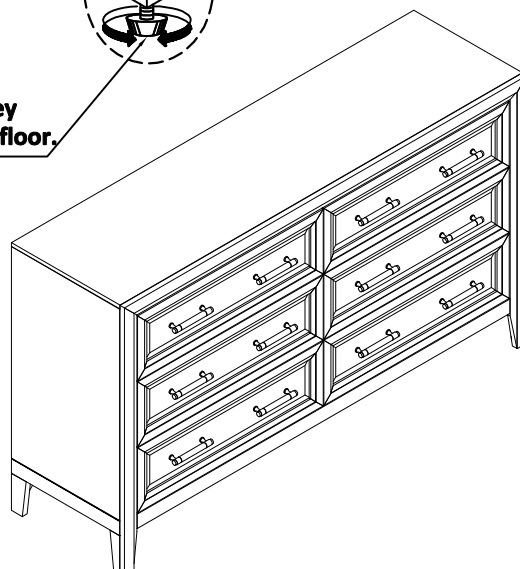
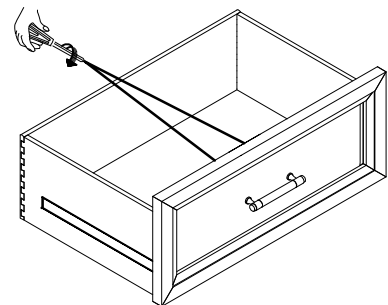
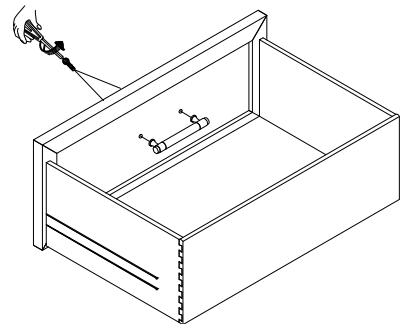
**NOTE:** PHILLIPS HEAD SCREW DRIVER IS REQUIRED IN THE ASSEMBLY PROCESS; HOWEVER MANUFACTURER DOES NOT PROVIDE THIS ITEM

**Remark:** Tipping hardware attached to the back stretcher.



**STEP 1**

**Leveler 1pc**  
Adjust the levelers until they are balanced and touching the floor.



Assembly completed  
**MADE IN VIET NAM**