



## ASSEMBLY INSTRUCTIONS

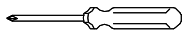
ITEM NO: DVC100 CGC CANE BCK CNTR STL-CHARLSTN WHT  
DVC200 CGC CANE BCK CNTR STL-CHARLSTN GRY

Thank you for purchasing this quality product. Be sure to check all packing material carefully for small parts that may have come loose inside the carton during shipment.

### HARDWARE/PARTS LOCATION

DVC100/200 CGC > Step 1,2,3 & 4 Hardware > Inside red pack with red tape > Placed at top corner carton  
> Leg > Inside labeled inner carton > Placed on the seat cushion  
> Stretcher > Inside labeled inner carton > Placed in seat cushion

### TOOLS REQUIRED (NOT PROVIDED)



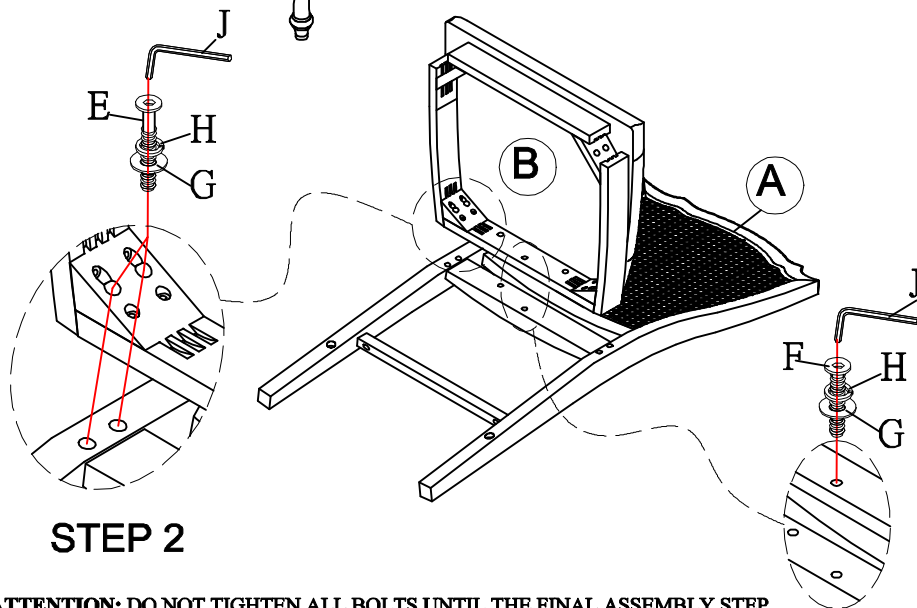
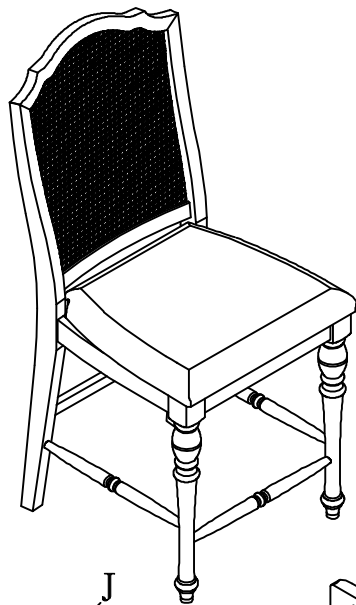
Screw Driver

### PARTS LIST:

No.	Description	Sketch	Quantity
A	Chair Back		1 pc
B	Seat		1 pc
C	LSF/RSF Front Leg		2 pcs
D	Stretcher		3 pcs

### HARDWARE LIST:

No.	Description	Sketch	Size	Quantity
E	Bolt		Ø5/16"L 76mm	4 pcs
F	Bolt		Ø5/16"L 44mm	7 pcs
G	Flat washer		Ø5/16"X19mm X2mm	11 pcs
H	Spring washer		Ø5/16"X12mm X2mm	11 pcs
I	Wood Crew		8X38mm	6 pcs
J	Allen wrench		4mm	1 pc
K	Allen wrench		4mm	1 pc



STEP 2

STEP 1

ATTENTION: DO NOT TIGHTEN ALL BOLTS UNTIL THE FINAL ASSEMBLY STEP.

MADE IN VIETNAM



### ASSEMBLY INSTRUCTIONS

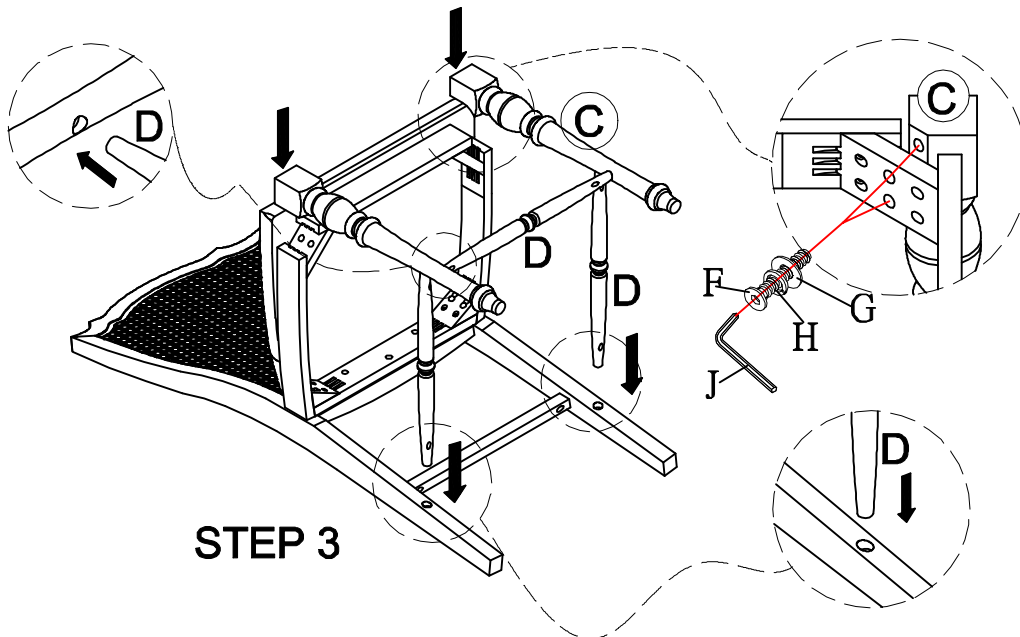
ITEM NO: DVC100 CGC CANE BCK CNTR STL-CHARLSTN WHT

DVC200 CGC CANE BCK CNTR STL-CHARLSTN GRY

Thank you for purchasing this quality product. Be sure to check all packing material carefully for small parts that may have come loose inside the carton during shipment.

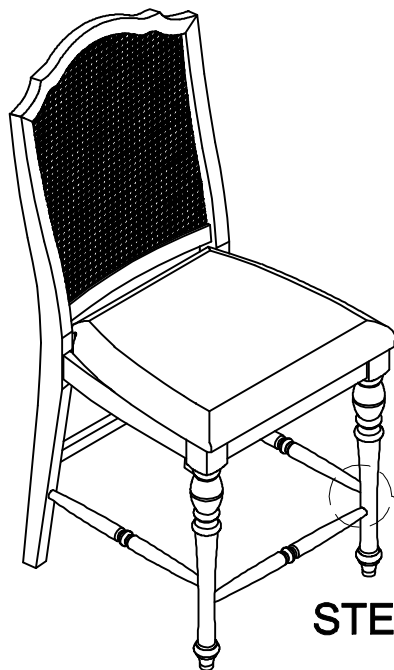
#### HARDWARE/PARTS LOCATION

DVC100/200 CGC > Step 1,2,3 & 4 hardware > Inside red pack with red tape > Placed at top corner carton  
> Leg > Inside labeled inner carton > Placed on the seat cushion  
> Stretcher > Inside labeled inner carton > Placed in seat cushion



STEP 3

Bottom View



STEP 4

Bottom View

ATTENTION: DO NOT TIGHTEN ALL BOLTS UNTIL THE FINAL ASSEMBLY STEP.

MADE IN VIETNAM