

ASSEMBLY INSTRUCTION

ITEM NO. : ME700T / ME700B

RECT TABLE TOP-BANKS BLACK / RECT TABLE
BASE-BANKS BLACK



Thank you for purchasing this quality product. Be sure to check all packing material carefully for small parts that may have come loose inside the carton during shipment.

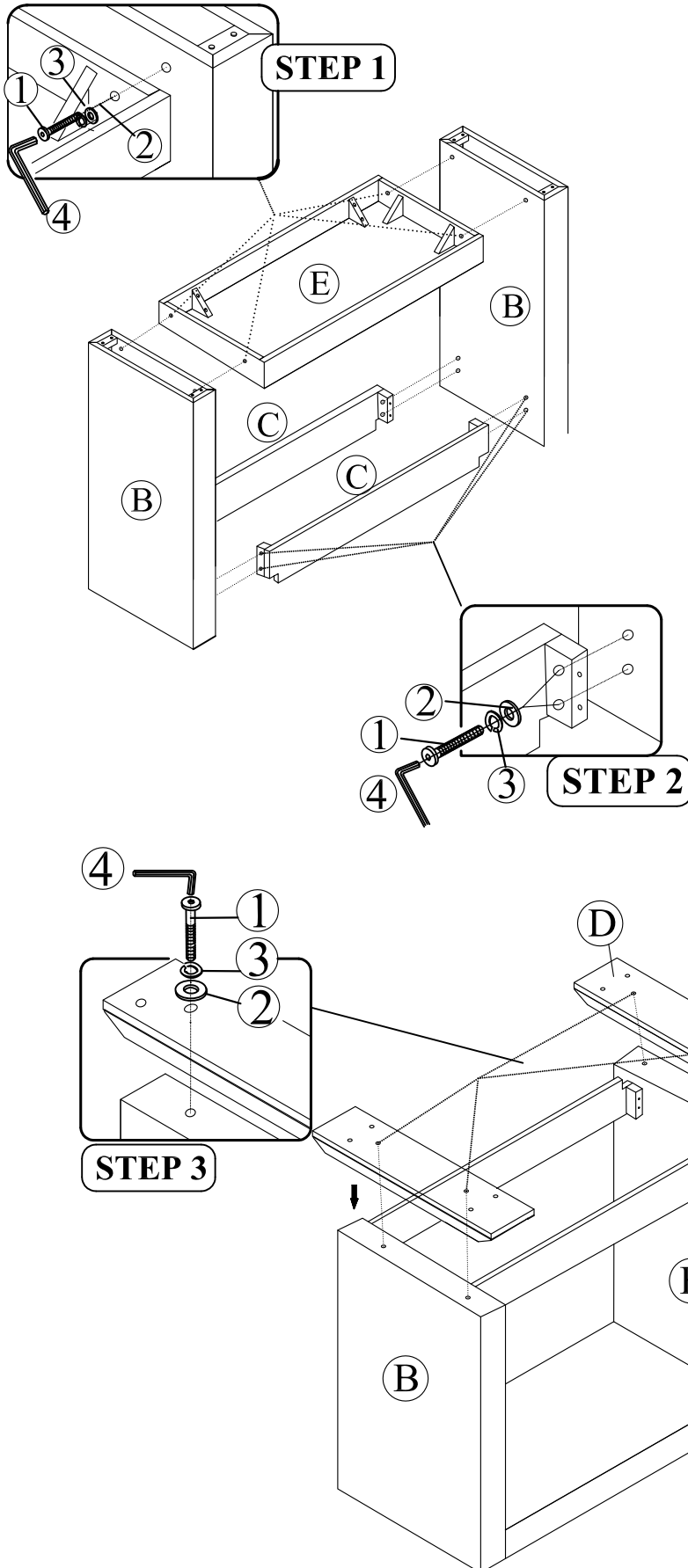
PART LIST:

NO.	Sketch	Description	Q' TY
A		Table Top	1
B		Side Panel	2
C		Apron	2
D		Mounting Board	2
E		Bottom Panel	1
F		Table Leaf	1

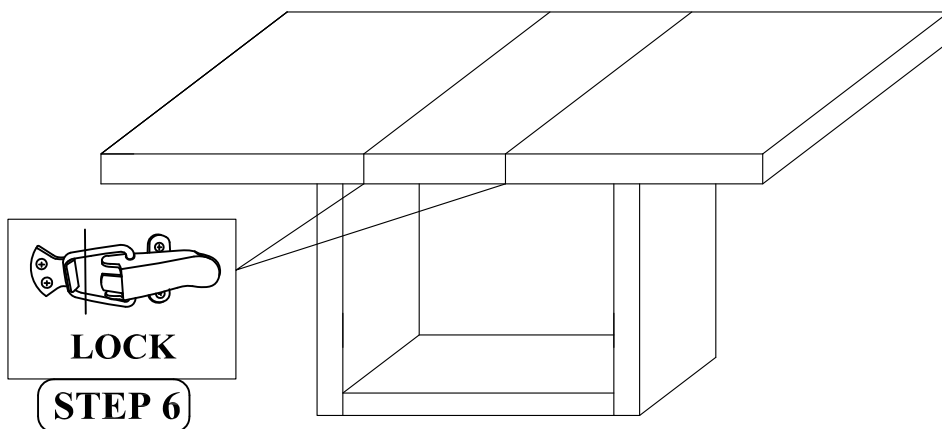
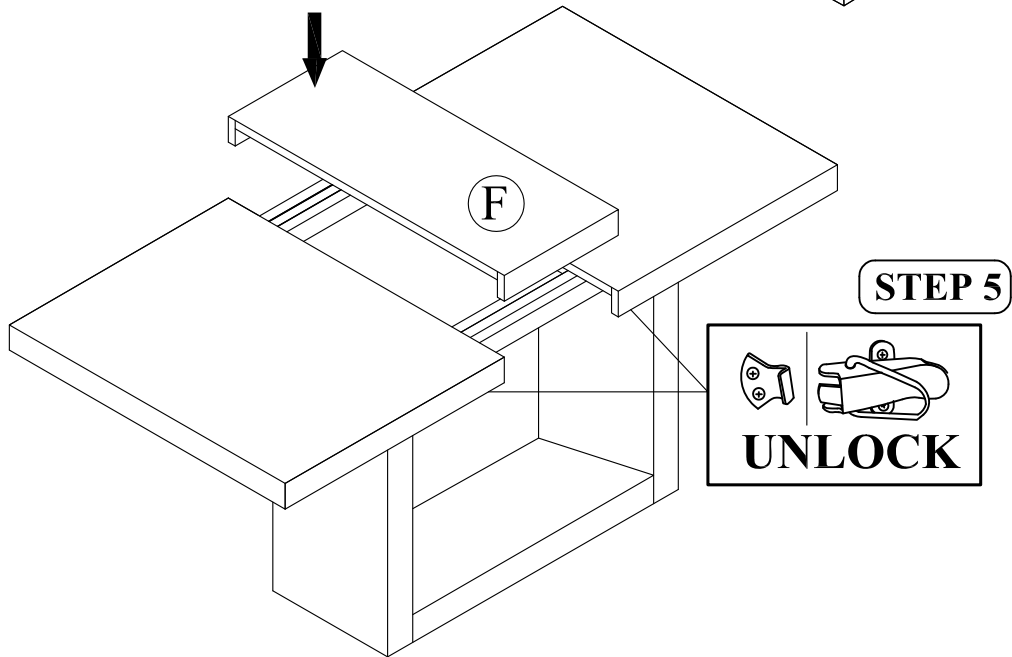
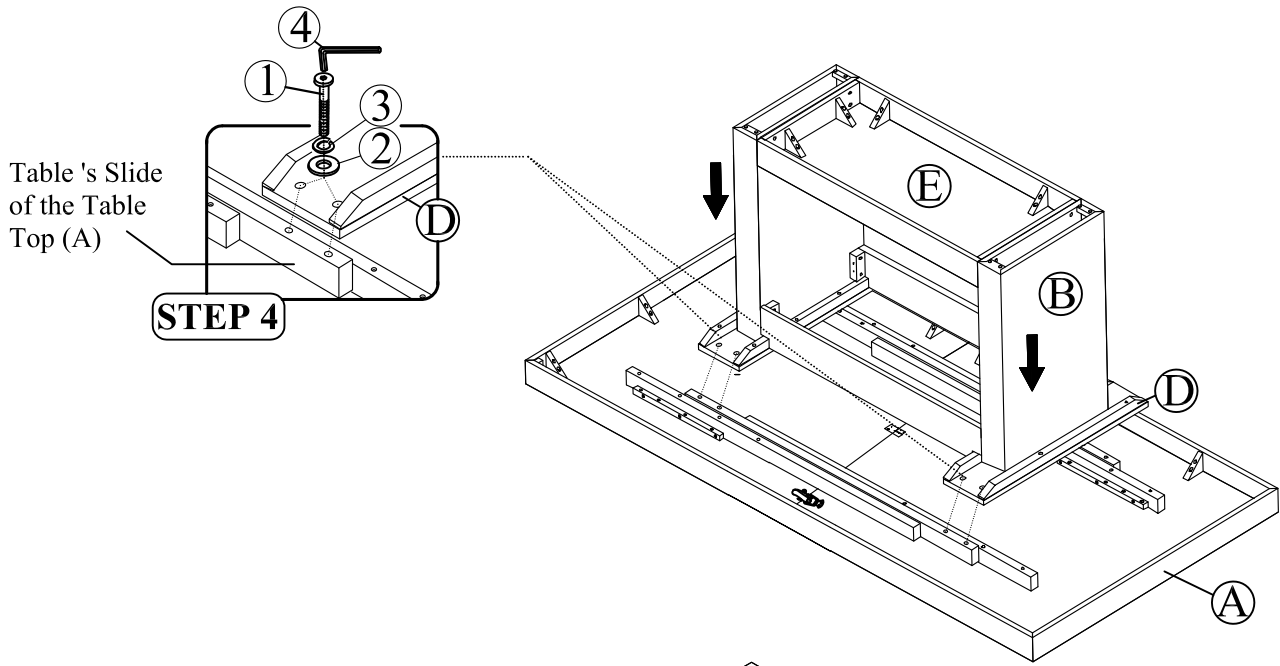
HAREWARE LIST

NO.	Sketch	Description	Size	Q' TY
1		Long Bolt	Ø5/16 x 40mm	24
2		Flat Washer	Ø5/16 x 19 mm	24
3		Lock Washer	Ø5/16 x 13 mm	24
4		Allen key	4 mm	1
5		Straight Allen Key	4 mm	1

Note : Straight Alen Key (5) is for use with a power drill.



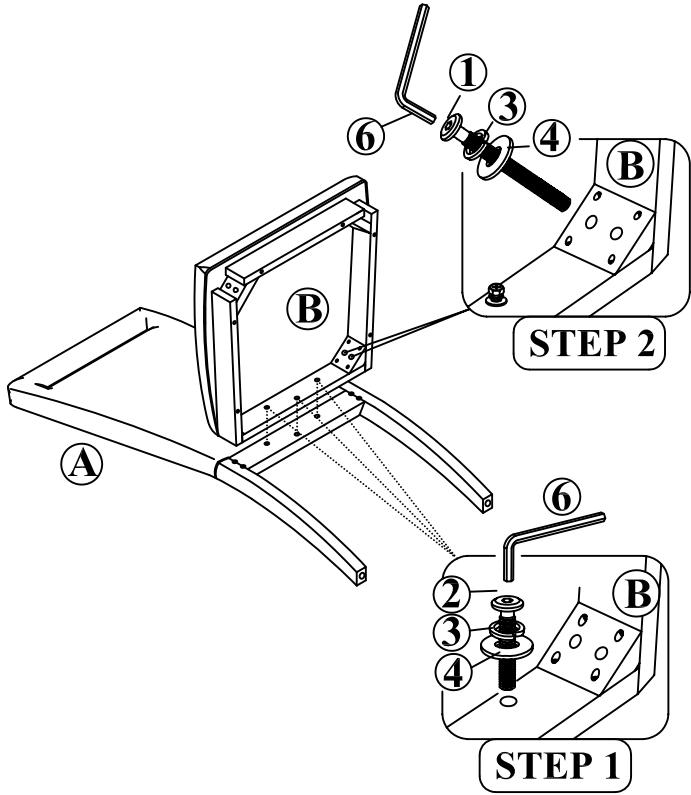
Thank you for purchasing this quality product. Be sure to check all packing material carefully for small parts that may have come loose inside the carton during shipment.



ASSEMBLY INSTRUCTION

ITEM NO. : ME700SG SIDE CHAIR-BANKS GRAY

Thank you for purchasing this quality product. Be sure to check all packing material carefully for small parts that may have come loose inside the carton during shipment.



NO	PARTS LIST		QTY'
A	Chair Back		1 pc
B	Seat Box W/ Seat Cushion		1 pc
C	Leg		2 pcs

HARDWARE LIST

NO.	DESC.	SKETCH	QTY'
1	Long Bolt $\phi 1/4"$ x 75mm		4 pcs
2	Short Bolt $\phi 1/4"$ x 40mm		3 pcs
3	Flat Washer $\phi 5/16"$ x 19mm		11 pcs
4	Lock Washer $\phi 5/16"$ x 13mm		11 pcs
5	Hex Nut $\phi 5/16"$ x 12mm		4 pcs
6	Allen Key 4 mm		1 pc
7	Hex Wrench 12 mm		1 pc
8	Straight Allen Key 4 mm		1 pc

Note : Straight Alen Key (8) is for use with a power drill.

