

ASSEMBLY INSTRUCTION

ITEM NO. : ME700T / ME700B

RECT TABLE TOP-BANKS BLACK / RECT TABLE
BASE-BANKS BLACK



Thank you for purchasing this quality product. Be sure to check all packing material carefully for small parts that may have come loose inside the carton during shipment.

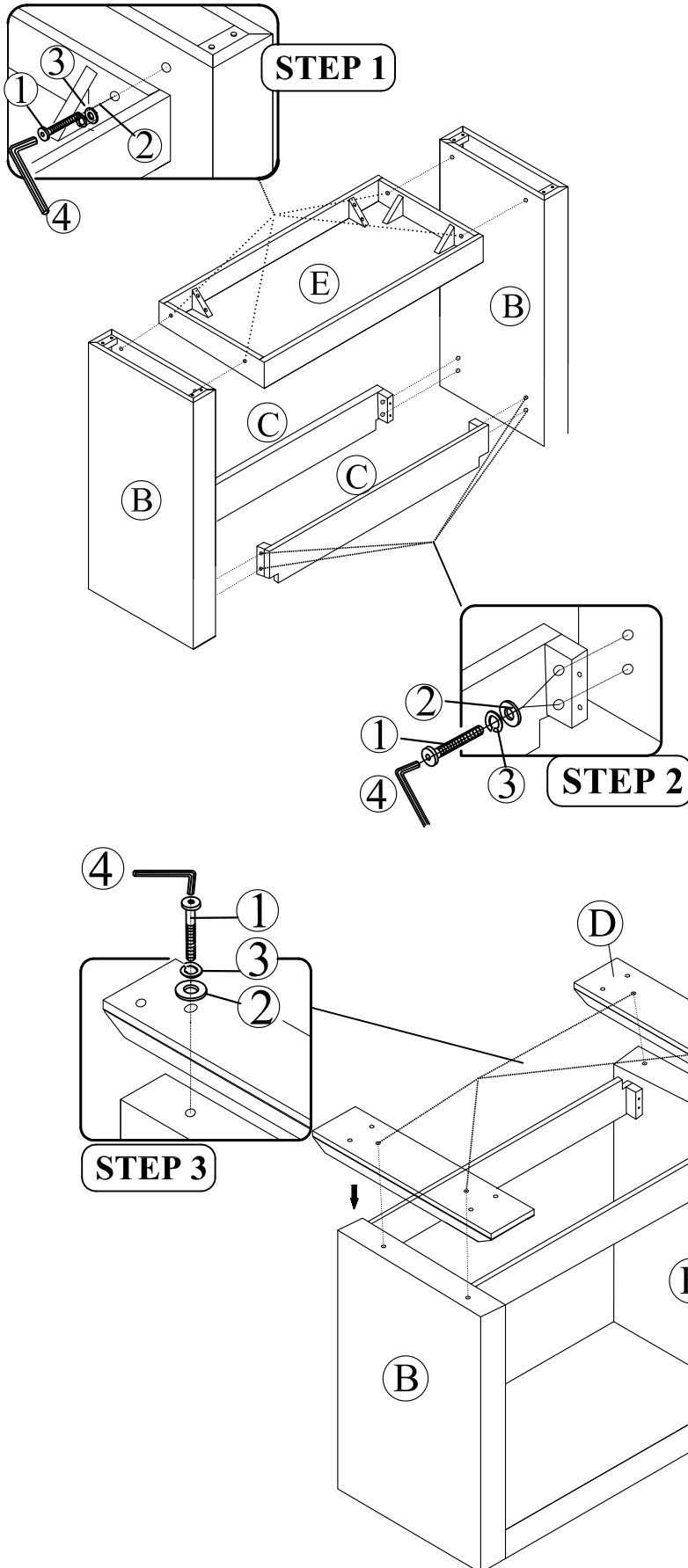
PART LIST:

NO.	Sketch	Description	Q' TY
A		Table Top	1
B		Side Panel	2
C		Apron	2
D		Mounting Board	2
E		Bottom Panel	1
F		Table Leaf	1

HAREWARE LIST

NO.	Sketch	Description	Size	Q' TY
1		Long Bolt	Ø5/16 x 40mm	24
2		Flat Washer	Ø5/16 x 19 mm	24
3		Lock Washer	Ø5/16 x 13 mm	24
4		Allen key	4 mm	1
5		Straight Allen Key	4 mm	1

Note : Straight Alen Key (5) is for use with a power drill.



Thank you for purchasing this quality product. Be sure to check all packing material carefully for small parts that may have come loose inside the carton during shipment.

