

ASSEMBLY INSTRUCTIONS

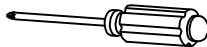
Item No: 29401

Description: COCKTAIL TABLE - PUEBLO PECAN

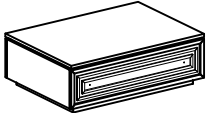
Thank you for purchasing this quality product. Be sure to check all packing material carefully for small parts that may have come loose inside the carton during shipment.

Step 1: If the Casters (H1) will not be used, remove them using the Open Wrench (H2) as shown in the picture. Casters provide an element of convenient mobility; however, possible damage could occur to some types of hardwood flooring.



Step 2: Carefully set the Table upright and open the drawers and using your screwdriver, remove the screws attaching the Handles and reattach to the outside of the drawer fronts.

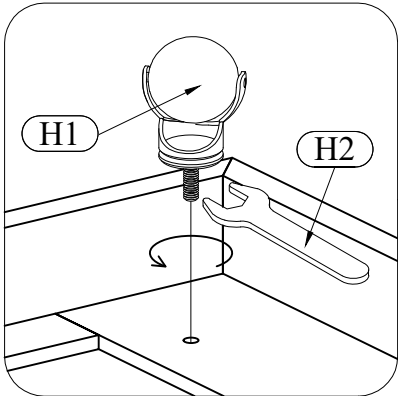
TOOLS REQUIRED (NOT PROVIDED)	
Philip Screw Driver	
	

PARTS LIST:

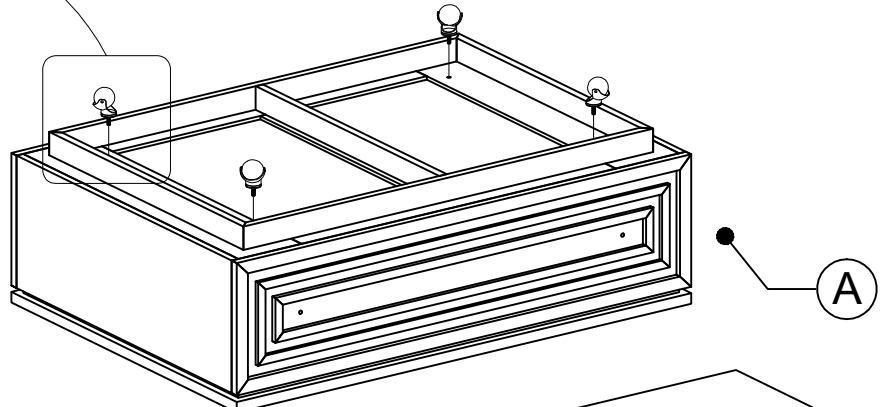
No.	Description	Sketch	Quantity
A	Table		1

HARDWARE LIST:

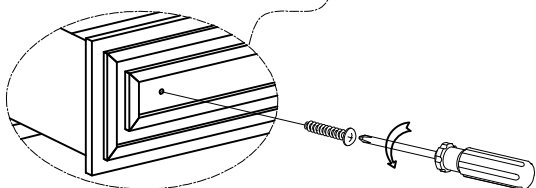
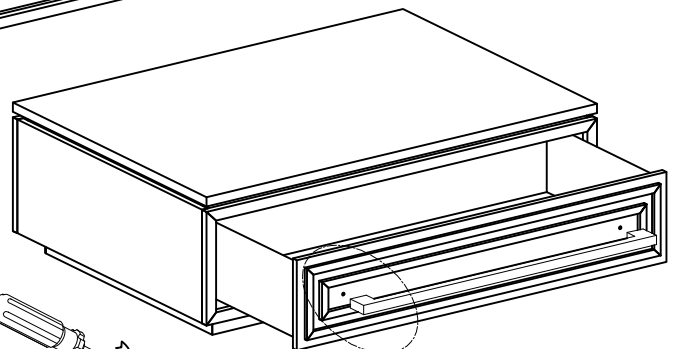
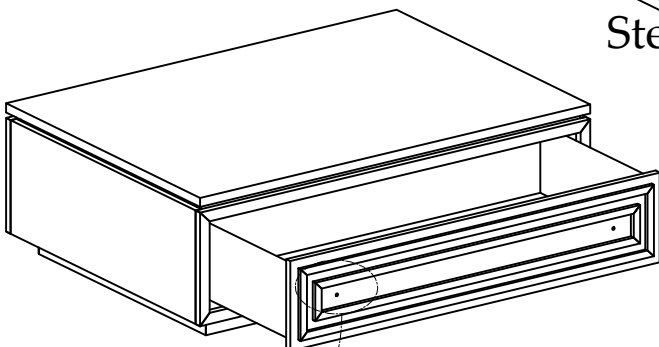
No.	Description	Sketch	Size	Quantity
H1	Caster			4
H2	Open Wrench		16mm	1



Step 1



Step 2



Remove Handle from inside drawer

Reattach Handle to outside of drawer front

