



AMERICAN SIGNATURE, INC.

# ASSEMBLY INSTRUCTIONS

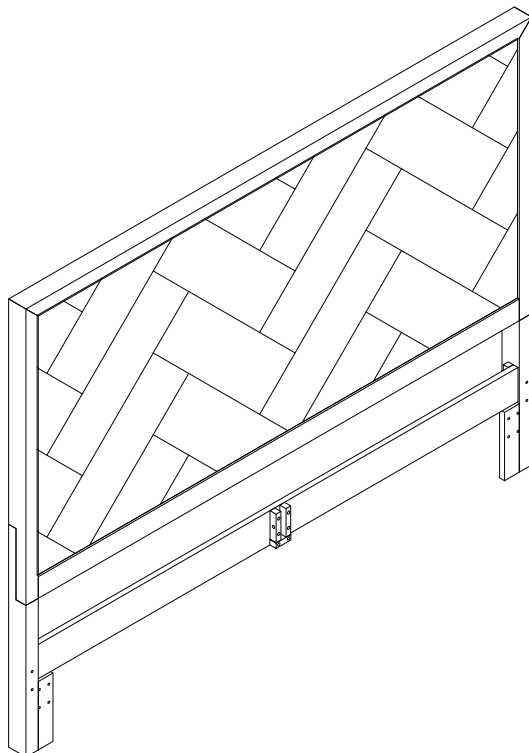
- ITEM NO.: 35077 -- QN PNL HB - ZEN URBAN GRAY  
 & 35071 -- QN PNL FB - ZEN URBAN GRAY  
 & 35072 -- QN/KG PNL RLS- ZEN URBAN GRAY  
 & 35073 -- Q/K STRG RL W/DRW- ZEN URBAN GRAY  
 & 35074 -- Q/K STRG PNL RAIL- ZEN URBAN GRAY



**Thank you for purchasing this quality product. Be sure to check all packing material carefully for small parts that may have come loose inside the carton during shipment.**

PARTS LIST: 35086 KG LOW PNL HDBD			
No.	Description	Sketch	Quantity
H-1	Panel		1
H-2	Leg	Left  Right	1 - Left 1 - Right
H-3	Stretcher		1

HARDWARE LIST:				
No.	Description	Sketch	Size	Quantity
A	Allen Head Bolt		Ø 5/16" x 2"	6
B	Spring Washer		Ø 5/16"	6
C	Flat Washer		Ø 5/16"	6
D	Allen Head Bolt		Ø1/4" x 1-1/2"	2
E	Spring Washer		Ø 1/4"	2
F	Flat Washer		Ø 1/4"	2
G-1	'L'-Allen Key		4mm	1
G-2	Straight Allen Key		4mm	1
TOOLS REQUIRED (NOT PROVIDED)				
Phillips Screwdriver				





AMERICAN SIGNATURE, INC.

# ASSEMBLY INSTRUCTIONS

ITEM NO.: 35077 -- QN PNL HB - ZEN URBAN GRAY

& 35071 -- QN PNL FB - ZEN URBAN GRAY

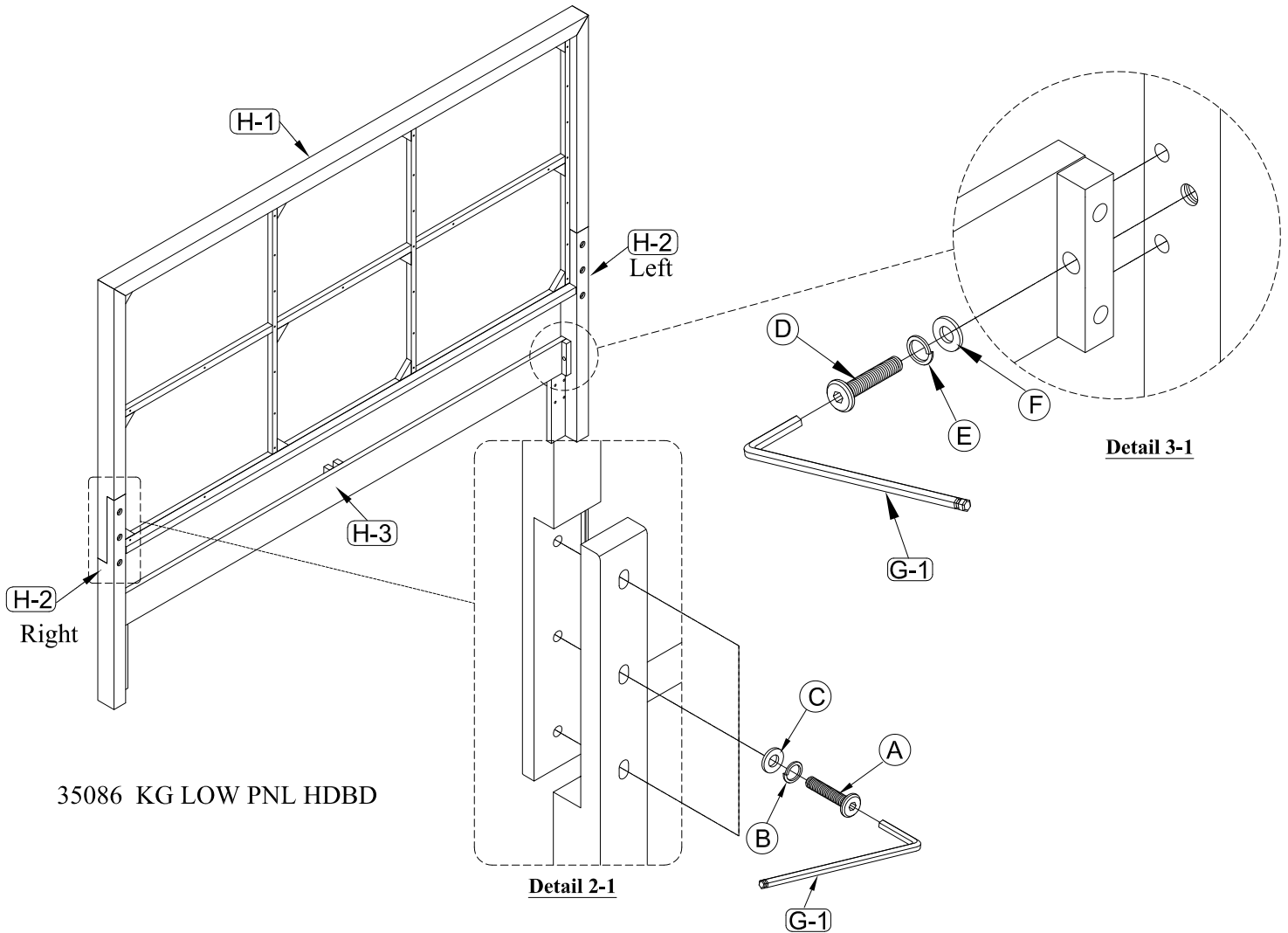
& 35072 -- QN/KG PNL RLS- ZEN URBAN GRAY

& 35073 -- Q/K STRG RL W/DRW- ZEN URBAN GRAY

& 35074 -- Q/K STRG PNL RAIL- ZEN URBAN GRAY



**Thank you for purchasing this quality product. Be sure to check all packing material carefully for small parts that may have come loose inside the carton during shipment.**



Be sure to check all packing material carefully for small parts, which may have come loose inside the carton during shipment. To prevent possible scratches or damage, this furniture should be assembled on a soft surface such as a blanket or carpet.

### ASSEMBLY STEPS:

1. Place the Headboard Panel (H-1) face down on the soft surface.
2. Attach the Left and Right Legs (H-2) to the back of the Headboard Panel using the Allen-Head Bolts (A), Spring Washers (B) and Flat Washers (C). Do not fully tighten Bolts until after next step.
3. Attach the Stretcher (H-3) to the Legs as shown using the Allen-Head Bolts (D), Spring Washers (E) and Flat Washers (F). Do not fully tighten Bolts until after next step.
4. Adjust parts for correct fit if necessary and tighten all Bolts using the Allen Key (G-1).
5. Carefully lean the assembled Headboard against the wall where the bed will be used.

Note: There are levelers installed in the bottom of the Posts which can be adjusted if needed, to align the Headboard with the Nightstands.



AMERICAN SIGNATURE, INC.

# ASSEMBLY INSTRUCTIONS

- ITEM NO.: 35077 -- QN PNL HB - ZEN URBAN GRAY  
 & 35071 -- QN PNL FB - ZEN URBAN GRAY  
 & 35072 -- QN/KG PNL RLS- ZEN URBAN GRAY  
 & 35073 -- Q/K STRG RL W/DRW- ZEN URBAN GRAY  
 & 35074 -- Q/K STRG PNL RAIL- ZEN URBAN GRAY



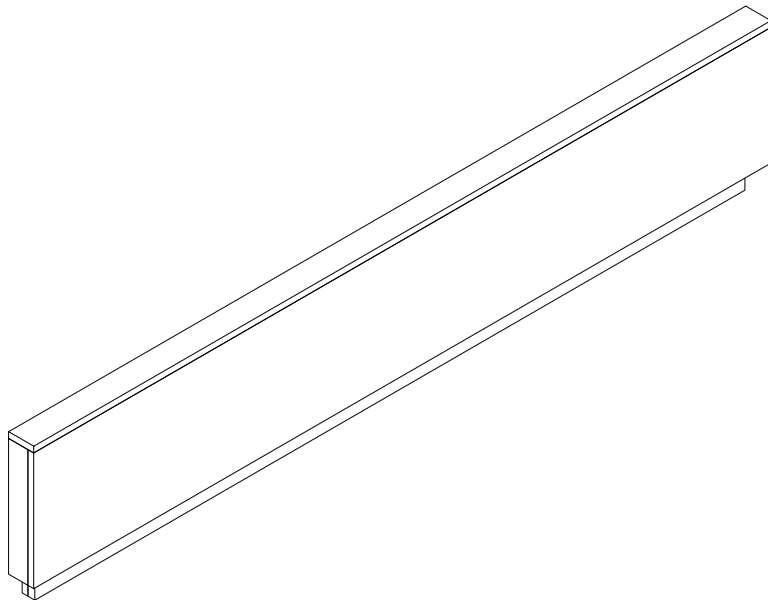
**Thank you for purchasing this quality product. Be sure to check all packing material carefully for small parts that may have come loose inside the carton during shipment.**

**PARTS LIST:** 35081 KG STRG FTBD

No.	Description	Sketch	Quantity
F-1	Footboard		1
F-2	Queen Roll Slat		1Set(15pcs)
F-3	Slat Support Rails		2
F-4	Slat Support Leg		1

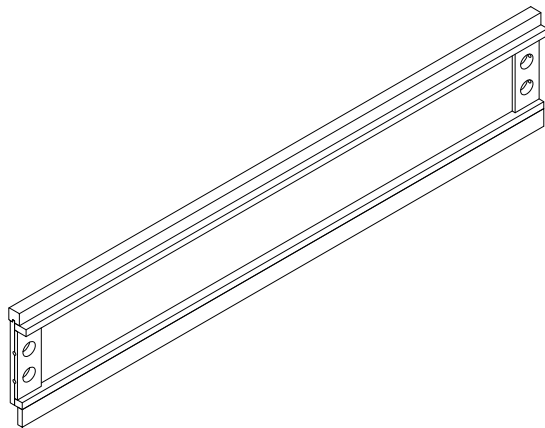
**HARDWARE LIST:**

No.	Description	Sketch	Size	Quantity
H	Allen Head Bolt		Ø1/4" x 2-1/4"	2
I	Allen Head Bolt		Ø1/4" x 1-1/2"	2
K	Spring Washer		Ø1/4"	4
L	Flat Washer		Ø1/4"	4
M	Wood Screw		Ø4 X 30mm	32
G-1	'L'-Allen Key		4mm*2-1/2"	1
G-2	Straight Allen Key		4mm*4"	1



**TOOLS REQUIRED (NOT PROVIDED)**

Phillips Screwdriver	
----------------------	--



**PARTS LIST:** 35072 QN/KG RAILS

No.	Description	Sketch	Quantity
R	Queen / Eastern King Bed Rail		2

**HARDWARE LIST:** 35072 QN/KG RAILS

No.	Description	Sketch	Size	Quantity
N	All-Thread Bolt		5/16" x 4-1/2"	8
O	Ø5/16"-18 Arc Washer & Nut		5/16" x 13mm	8
P	Open Wrench		13mm	1



AMERICAN SIGNATURE, INC.

# ASSEMBLY INSTRUCTIONS

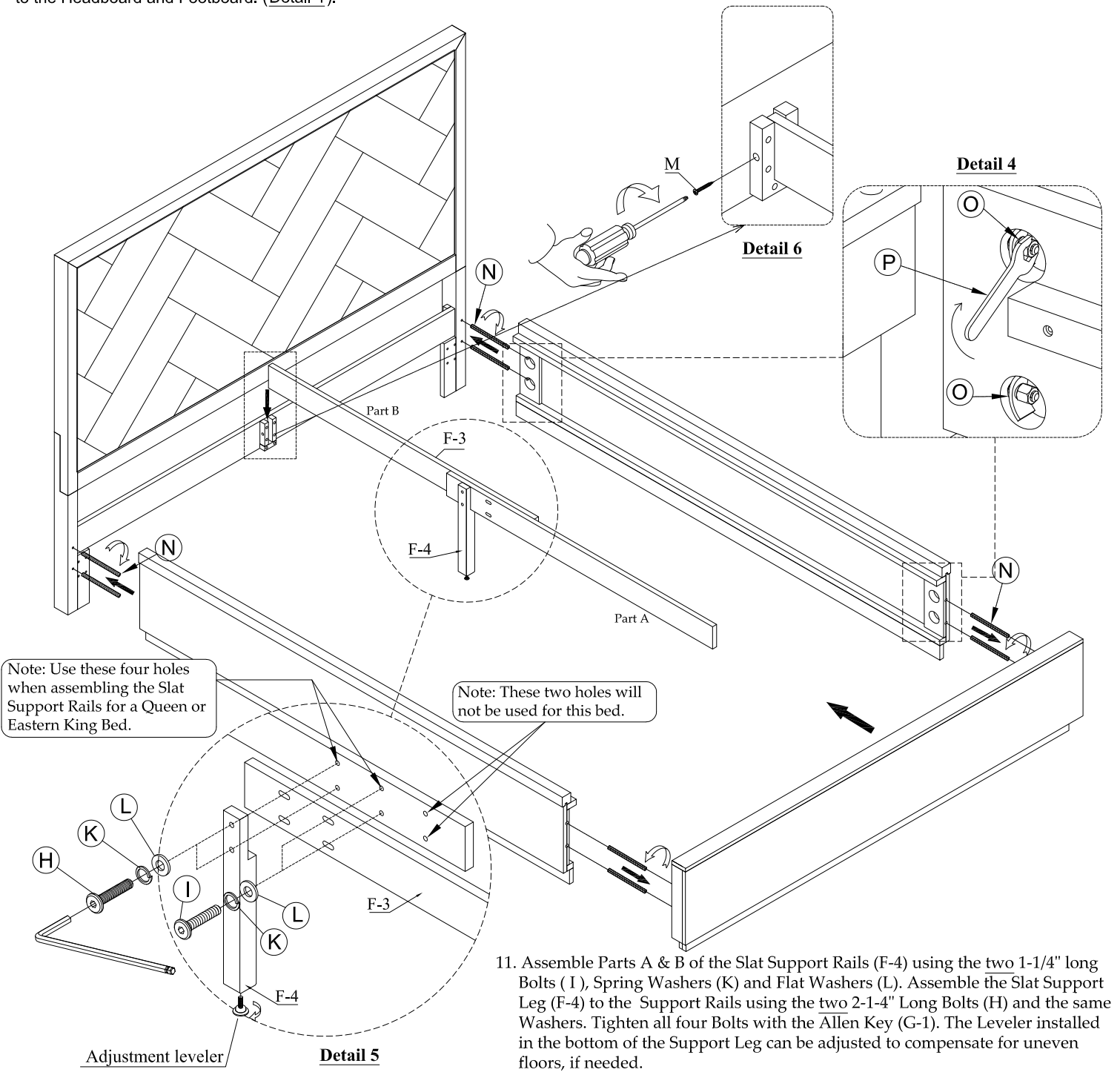
ITEM NO.: 35077 -- QN PNL HB - ZEN URBAN GRAY  
& 35071 -- QN PNL FB - ZEN URBAN GRAY  
& 35072 -- QN/KG PNL RLS- ZEN URBAN GRAY



**Thank you for purchasing this quality product. Be sure to check all packing material carefully for small parts that may have come loose inside the carton during shipment.**

**Steps:**

6. Lean the back of the Headboard against the wall where the Bed will be assembled.
7. Install all the All-Thread Bolts (N) into the metal threaded inserts installed in the Headboard Legs and into the metal inserts on the Footboard.
8. Carefully position one end of one Bed Rail (R) onto the All-thread Bolts on the Headboard and connect using the Arc Washer & Nut (O). Only partially tighten the Nuts until the Footboard has been connected. Repeat for other Bed Rail.
9. Position and connect the Footboard (F-1) to the other end of the Bed Rails, attaching as in the previous Steps.
10. Carefully align the Footboard to be 'square' with the Headboard. Using the Open Wrench (P) tighten all Hex Nuts attaching the Side Rails to the Headboard and Footboard. (Detail 4).



Note: Use these four holes when assembling the Slat Support Rails for a Queen or Eastern King Bed.

Note: These two holes will not be used for this bed.

11. Assemble Parts A & B of the Slat Support Rails (F-4) using the two 1-1/4" long Bolts (I), Spring Washers (K) and Flat Washers (L). Assemble the Slat Support Leg (F-4) to the Support Rails using the two 2-1-4" Long Bolts (H) and the same Washers. Tighten all four Bolts with the Allen Key (G-1). The Leveler installed in the bottom of the Support Leg can be adjusted to compensate for uneven floors, if needed.
12. Position the Slat Support assembly into the pockets on the Headboard and Footboard using Wood Screws (M) and your Phillips Screwdriver.



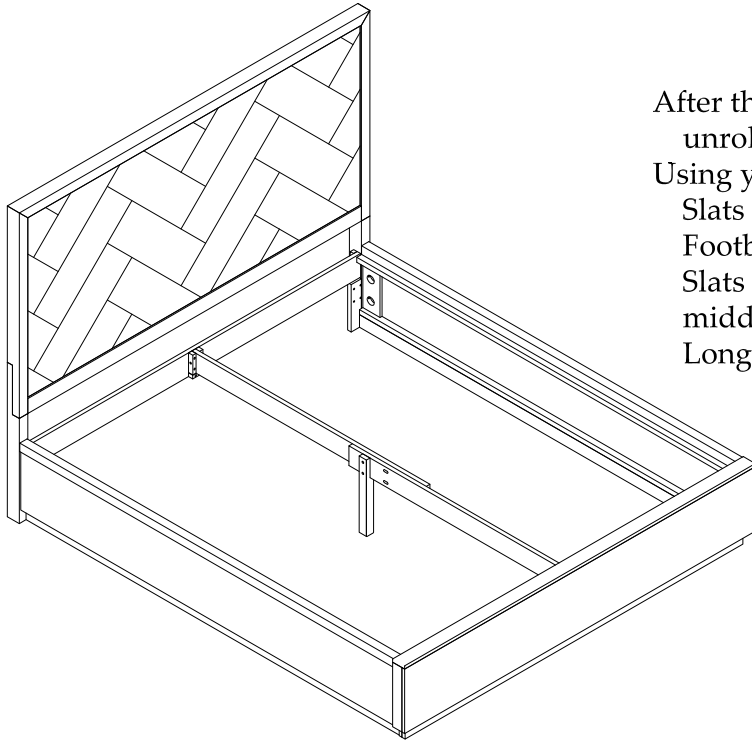
AMERICAN SIGNATURE, INC.

# ASSEMBLY INSTRUCTIONS

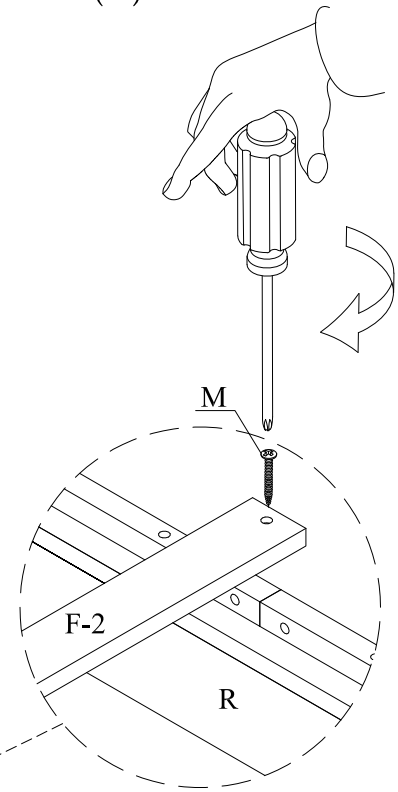
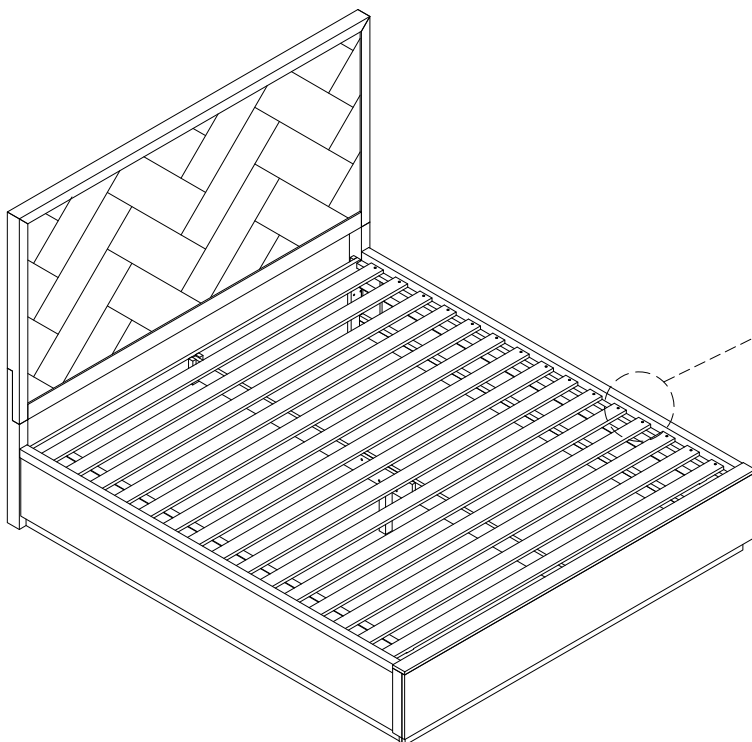
ITEM NO.: 35077 -- QN PNL HB - ZEN URBAN GRAY  
& 35071 -- QN PNL FB - ZEN URBAN GRAY  
& 35072 -- QN/KG PNL RLS- ZEN URBAN GRAY



Thank you for purchasing this quality product. Be sure to check all packing material carefully for small parts that may have come loose inside the carton during shipment.



After the Bed is assembled, completely unroll the Bed Roll Slat (F-2) onto the Bed. Using your Phillips Screwdriver, attach the Slats nearest the Headboard and Footboard and attach the middle of the Slats to the Slat Support Rails in the middle of the Bed using the Ø8\*30mm Long Wood Screws (M).



**Detail 7**



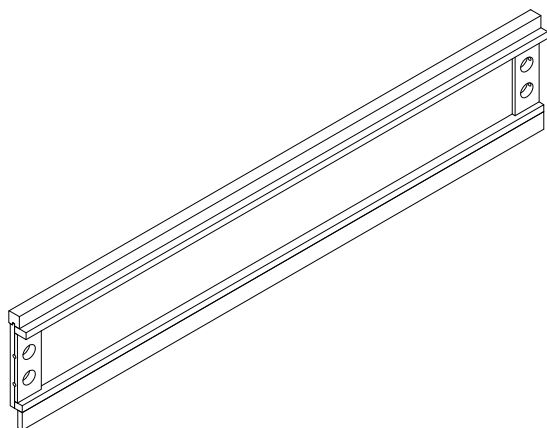
AMERICAN SIGNATURE, INC.

# ASSEMBLY INSTRUCTIONS

- ITEM NO.: 35077 -- QN PNL HB - ZEN URBAN GRAY  
 & 35071 -- QN PNL FB - ZEN URBAN GRAY  
 & 35073 -- Q/K STRG RL W/DRW- ZEN URBAN GRAY  
 & 35074 -- Q/K STRG PNL RAIL- ZEN URBAN GRAY

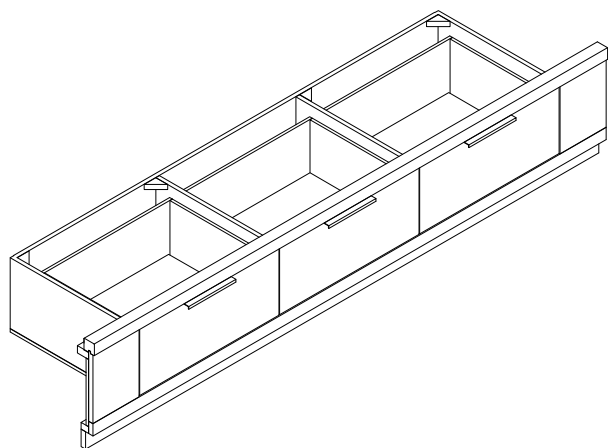


Thank you for purchasing this quality product. Be sure to check all packing material carefully for small parts that may have come loose inside the carton during shipment.



PARTS LIST: 35074 QN/KG RAILS			
No.	Description	Sketch	Quantity
R	Queen / Eastern King Bed Rail		1

HARDWARE LIST: 35074 QN/KG RAILS				
No.	Description	Sketch	Size	Quantity
N	All-Thread Bolt		5/16" x 4-1/2"	4
O	Ø5/16"-18 Arc Washer & Nut		5/16" x 13mm	4
P	Open Wrench		13mm	1



PARTS LIST: 35073 QN/KG STORAGE RAILS			
No.	Description	Sketch	Quantity
R	Queen / Eastern King Bed Rail		1

HARDWARE LIST: 35073 QN/KG STORAGE RAILS				
No.	Description	Sketch	Size	Quantity
N	All-Thread Bolt		5/16" x 4-1/2"	4
O	Ø5/16"-18 Arc Washer & Nut		5/16" x 13mm	4
P	Open Wrench		13mm	1



AMERICAN SIGNATURE, INC.

# ASSEMBLY INSTRUCTIONS

ITEM NO.: 35077 -- QN PNL HB - ZEN URBAN GRAY

& 35071 -- QN PNL FB - ZEN URBAN GRAY

& 35073 -- Q/K STRG RL W/DRW- ZEN URBAN GRAY

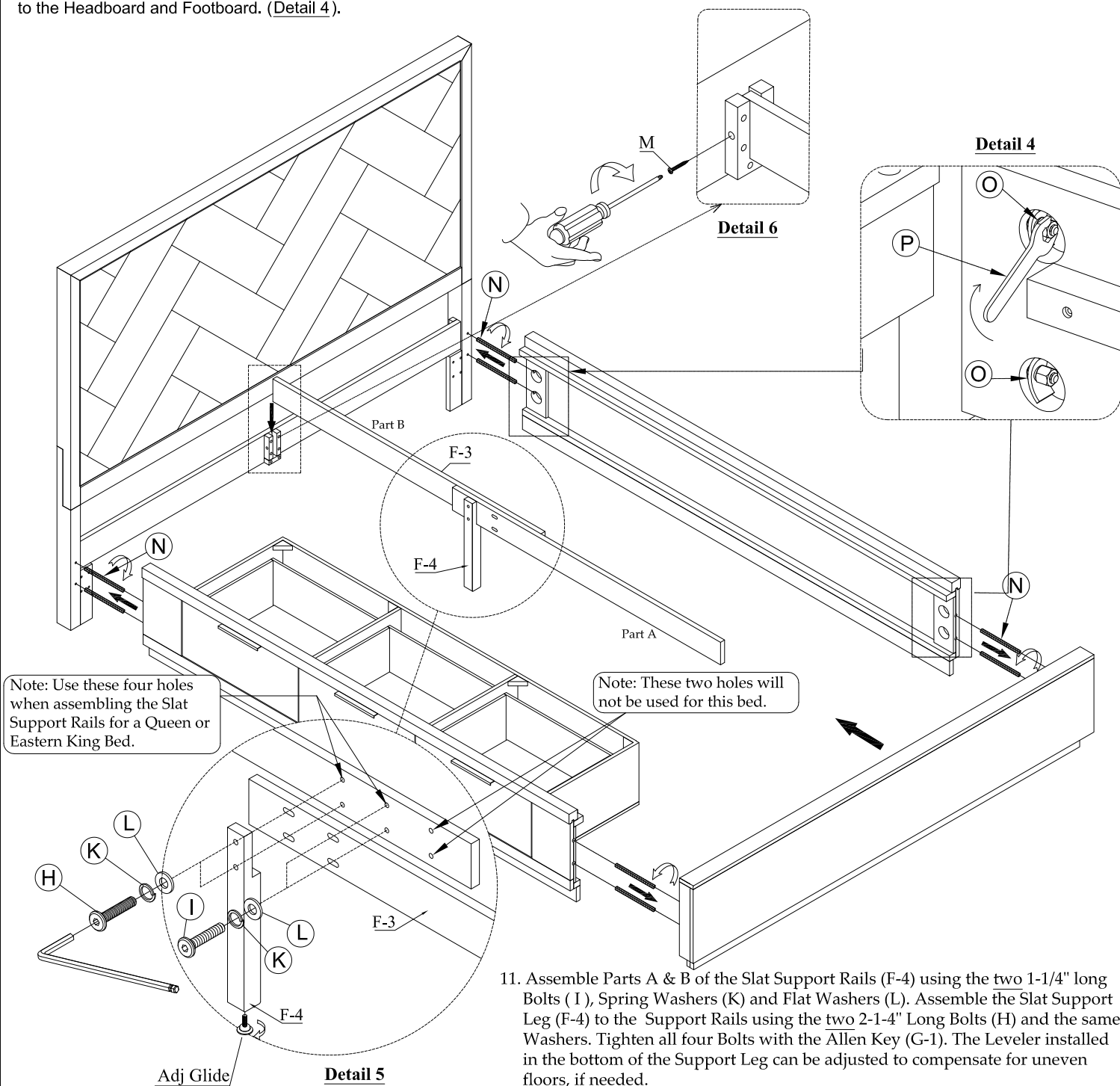
& 35074 -- Q/K STRG PNL RAIL- ZEN URBAN GRAY



**Thank you for purchasing this quality product. Be sure to check all packing material carefully for small parts that may have come loose inside the carton during shipment.**

Steps:

6. Lean the back of the Headboard against the wall where the Bed will be assembled.
7. Install all the All-Thread Bolts (N) into the metal threaded inserts installed in the Headboard Legs and into the metal inserts on the Footboard.
8. Carefully position one end of one Bed Rail (R) onto the All-thread Bolts on the Headboard and connect using the Arc Washer & Nut (O). Only partially tighten the Nuts until the Footboard has been connected. Repeat for other Bed Rail.
9. Position and connect the Footboard (F-1) to the other end of the Bed Rails, attaching as in the previous Steps.
10. Carefully align the Footboard to be 'square' with the Headboard. Using the Open Wrench (P) tighten all Hex Nuts attaching the Side Rails to the Headboard and Footboard. (Detail 4).



11. Assemble Parts A & B of the Slat Support Rails (F-4) using the two 1-1/4" long Bolts (I), Spring Washers (K) and Flat Washers (L). Assemble the Slat Support Leg (F-4) to the Support Rails using the two 2-1-4" Long Bolts (H) and the same Washers. Tighten all four Bolts with the Allen Key (G-1). The Leveler installed in the bottom of the Support Leg can be adjusted to compensate for uneven floors, if needed.
12. Position the Slat Support assembly into the pockets on the Headboard and Footboard using Wood Screws (M) and your Phillips Screwdriver.



AMERICAN SIGNATURE, INC.

# ASSEMBLY INSTRUCTIONS

ITEM NO.: 35077 -- QN PNL HB - ZEN URBAN GRAY

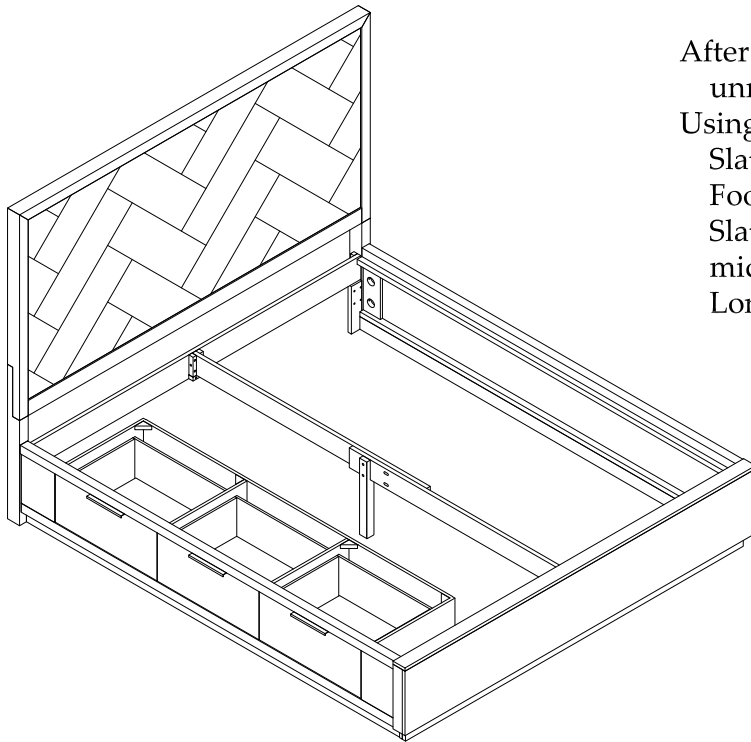
& 35071 -- QN PNL FB - ZEN URBAN GRAY

& 35073 -- Q/K STRG RL W/DRW- ZEN URBAN GRAY

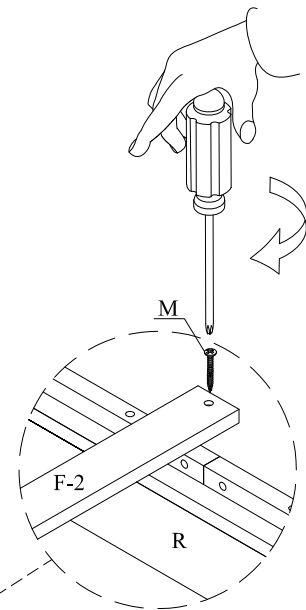
& 35074 -- Q/K STRG PNL RAIL- ZEN URBAN GRAY



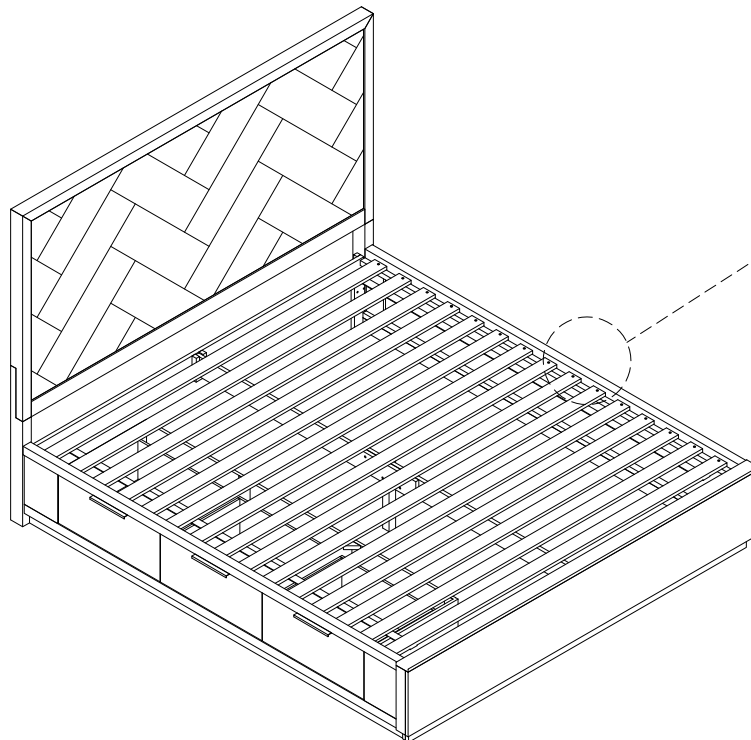
Thank you for purchasing this quality product. Be sure to check all packing material carefully for small parts that may have come loose inside the carton during shipment.



After the Bed is assembled, completely unroll the Bed Roll Slat (F-2) onto the Bed. Using your Phillips Screwdriver, attach the Slats nearest the Headboard and Footboard and attach the middle of the Slats to the Slat Support Rails in the middle of the Bed using the  $\text{Ø}4^*30\text{mm}$  Long Wood Screws (M).



**Detail 7**







AMERICAN SIGNATURE, INC.

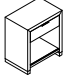
# ASSEMBLY INSTRUCTIONS

ITEM NO. : 35068 - 1 -DRAWER NIGHTSTAND- ZEN URBAN GRAY

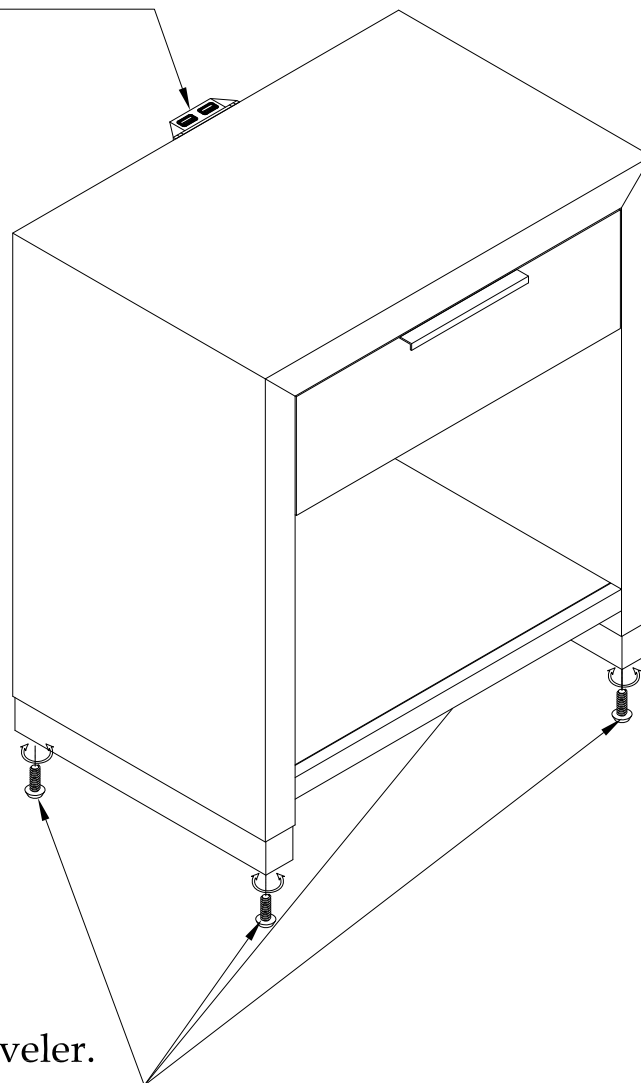


Thank you for purchasing this quality product. Be sure to check all packing material carefully for small parts that may have come loose inside the carton during shipment.

### PARTS LIST:

No.	Description	Sketch	Quantity
A	Nightstand		1PC

**2-Outlet USB Port**



**Adjustable leveler.**



AMERICAN SIGNATURE, INC.

# ASSEMBLY INSTRUCTIONS

ITEM NO. : 35060 6 -DRAWER DRESSER- ZEN URBAN GRAY

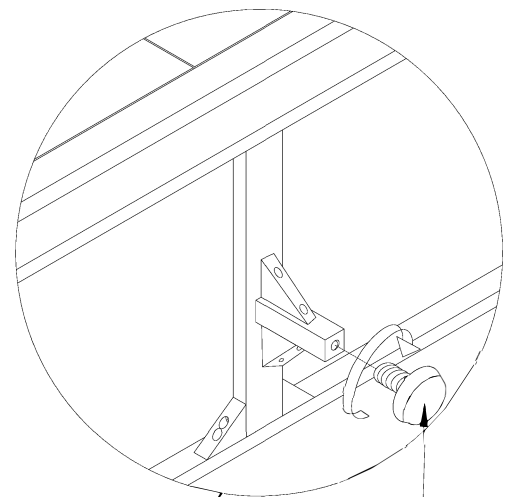
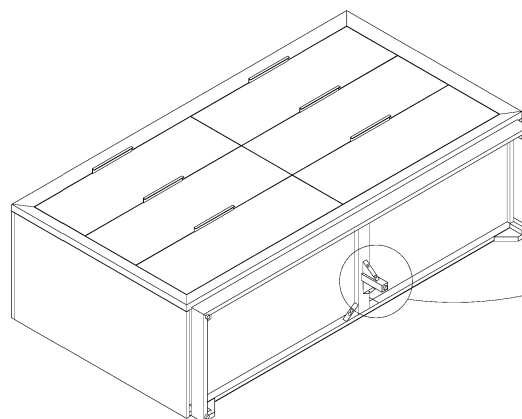
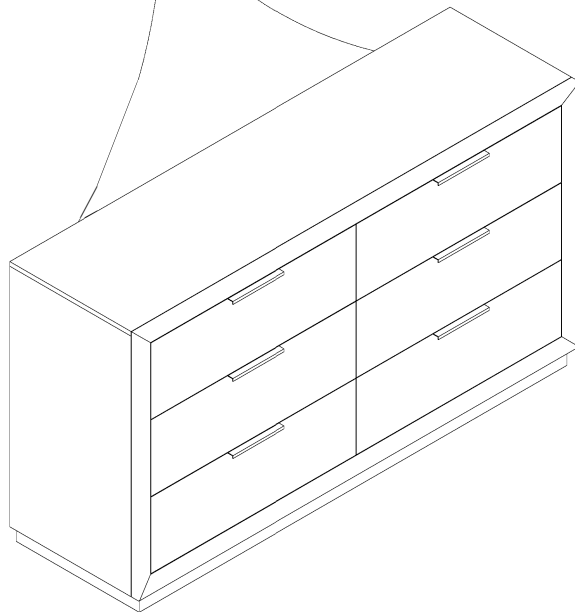


**Thank you for purchasing this quality product. Be sure to check all packing material carefully for small parts that may have come loose inside the carton during shipment.**



PARTS LIST:			
No.	Description	Sketch	Quantity
A	Dresser		1PC

HARDWARE LIST OF MIRROR			
NO.	SKETCH	SIZE	Q'TY
1		Furniture Tipping Restraint Kit	2pcs



Adjustable leveler.



AMERICAN SIGNATURE, INC.


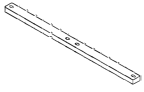
# ASSEMBLY INSTRUCTIONS

ITEM NO. : 35061 MIRROR- ZEN URBAN GRAY








**Thank you for purchasing this quality product. Be sure to check all packing material carefully for small parts that may have come loose inside the carton during shipment.**

### PARTS LIST:

No.	Description	Sketch	Quantity
A	Mirror Frame		1pc
B	Mirror Support		2pcs

### HARDWARE LIST OF MIRROR

NO.	SKETCH	SIZE	Q'TY
2		Flat Washer Ø1/4"*19mm	8pcs
3		Spring Washer Ø1/4"	8pcs
4		Bolt Ø1/4"*1-1/2"	8pcs
5		Allen Key 4mm*2-1/2"	1pc
6		Straight Allen key 4mm x 4"	1pc

