



AMERICAN SIGNATURE, INC.

ASSEMBLY INSTRUCTIONS

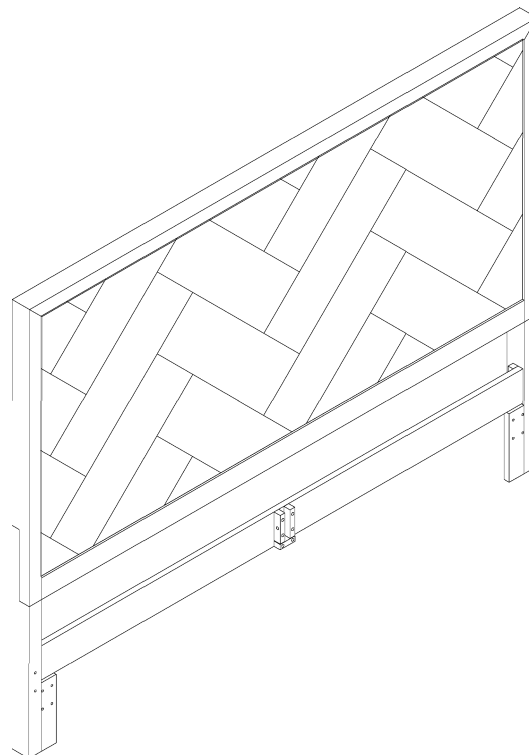
ITEM NO.: 35086 -- KG PNL HB - ZEN URBAN GRAY
 & 35081 -- KG PNL FB - ZEN URBAN GRAY
 & 35072 -- QN/KG PNL RLS- ZEN URBAN GRAY
 & 35073 -- Q/K STRG RL W/DRW- ZEN URBAN GRAY
 & 35074 -- Q/K STRG PNL RAIL- ZEN URBAN GRAY



Thank you for purchasing this quality product. Be sure to check all packing material carefully for small parts that may have come loose inside the carton during shipment.

PARTS LIST: 35086 KG LOW PNL HDBD			
No.	Description	Sketch	Quantity
H-1	Panel		1
H-2	Leg	Left Right	1 - Left 1 - Right
H-3	Stretcher		1

HARDWARE LIST:				
No.	Description	Sketch	Size	Quantity
A	Allen Head Bolt		Ø 5/16" x 2"	6
B	Spring Washer		Ø 5/16"	6
C	Flat Washer		Ø 5/16"	6
D	Allen Head Bolt		Ø1/4" x 1-1/2"	2
E	Spring Washer		Ø 1/4"	2
F	Flat Washer		Ø 1/4"	2
G-1	'L'-Allen Key		4mm*2-1/2"	1
G-2	Straight Allen Key		4mm*4"	1





AMERICAN SIGNATURE, INC.

ASSEMBLY INSTRUCTIONS

ITEM NO.: 35086 -- KG PNL HB - ZEN URBAN GRAY

& 35081 -- KG PNL FB - ZEN URBAN GRAY

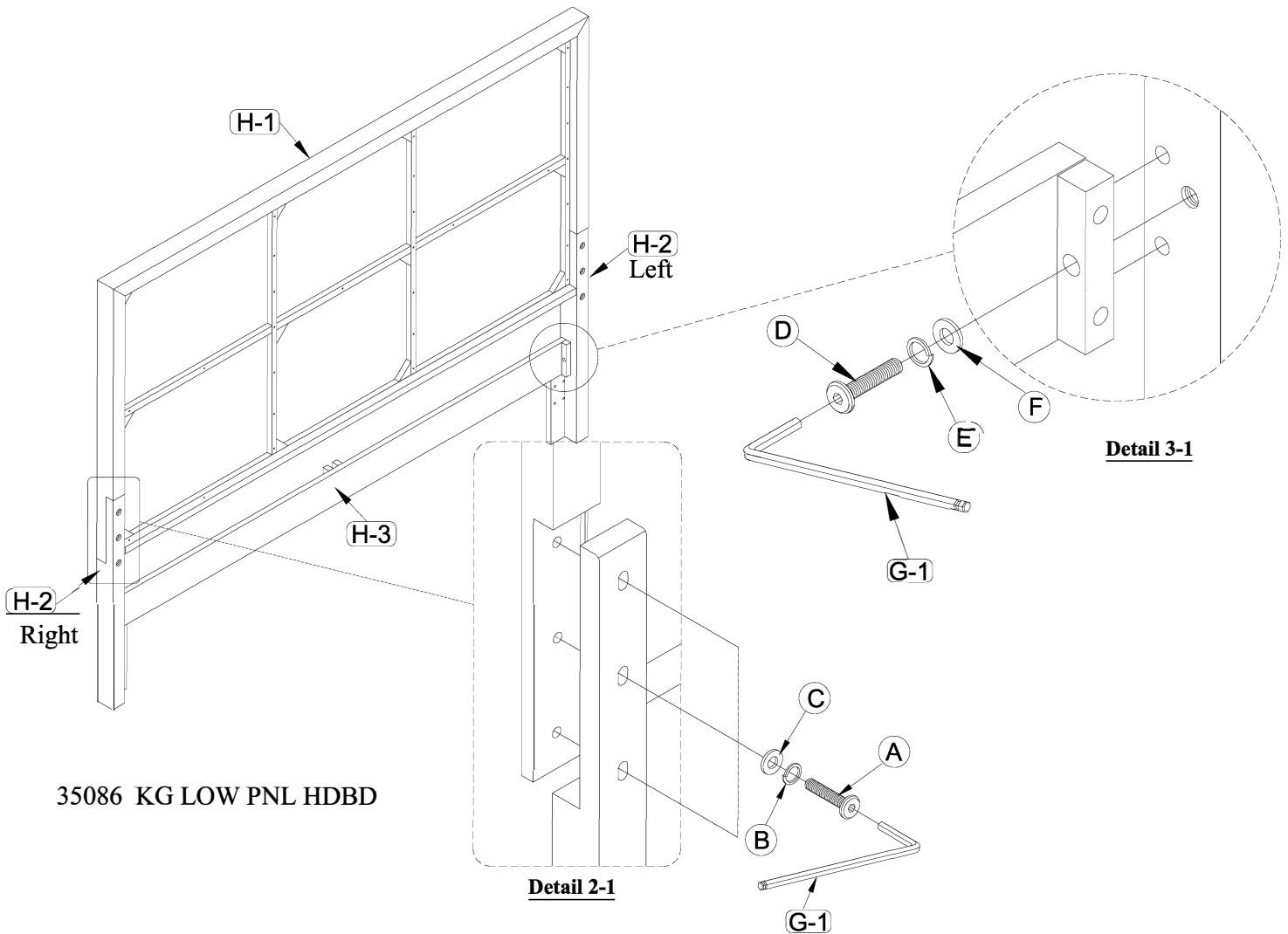
& 35072 -- QN/KG PNL RLS- ZEN URBAN GRAY

& 35073 -- Q/K STRG RL W/DRW- ZEN URBAN GRAY

& 35074 -- Q/K STRG PNL RAIL- ZEN URBAN GRAY



Thank you for purchasing this quality product. Be sure to check all packing material carefully for small parts that may have come loose inside the carton during shipment.



Be sure to check all packing material carefully for small parts, which may have come loose inside the carton during shipment. To prevent possible scratches or damage, this furniture should be assembled on a soft surface such as a blanket or carpet.

ASSEMBLY STEPS:

1. Place the Headboard Panel (H-1) face down on the soft surface.
2. Attach the Left and Right Legs (H-2) to the back of the Headboard Panel using the Allen-Head Bolts (A), Spring Washers (B) and Flat Washers (C). Do not fully tighten Bolts until after next step.
3. Attach the Stretcher (H-3) to the Legs as shown using the Allen-Head Bolts (D), Spring Washers (E) and Flat Washers (F). Do not fully tighten Bolts until after next step.
4. Adjust parts for correct fit if necessary and tighten all Bolts using the Allen Key (G-1).
5. Carefully lean the assembled Headboard against the wall where the bed will be used.

Note: There are levelers installed in the bottom of the Posts which can be adjusted if needed, to align the Headboard with the Nightstands.



AMERICAN SIGNATURE, INC.

ASSEMBLY INSTRUCTIONS

- ITEM NO.: 35086 -- KG PNL HB - ZEN URBAN GRAY
 & 35081 -- KG PNL FB - ZEN URBAN GRAY
 & 35072 -- QN/KG PNL RLS- ZEN URBAN GRAY
 & 35073 -- Q/K STRG RL W/DRW- ZEN URBAN GRAY
 & 35074 -- Q/K STRG PNL RAIL- ZEN URBAN GRAY



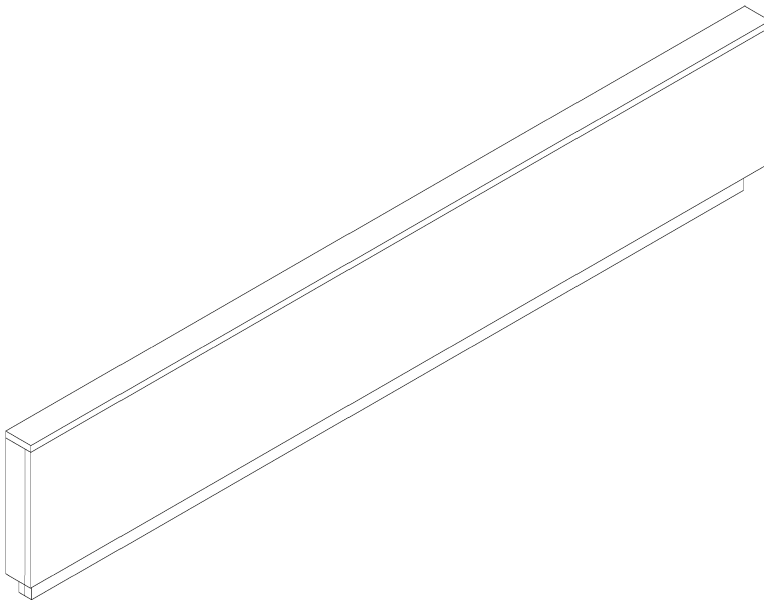
Thank you for purchasing this quality product. Be sure to check all packing material carefully for small parts that may have come loose inside the carton during shipment.

PARTS LIST: 35081 KG STRG FTBD			
No.	Description	Sketch	Quantity
F-1	Footboard		1
F-2	King Roll Slat		1Set (15pcs)
F-3	Slat Support Rails		2
F-4	Slat Support Leg		1

HARDWARE LIST:				
No.	Description	Sketch	Size	Quantity
H	Allen Head Bolt		Ø1/4" x 2-1/4"	2
I	Allen Head Bolt		Ø1/4" x 1-1/2"	2
K	Spring Washer		Ø1/4"	4
L	Flat Washer		Ø1/4"	4
M	Wood Screw		Ø4 X 30mm	32
G-1	'L'-Allen Key		4mm*2-1/2"	1
G-2	Straight Allen Key		4mm*4"	1

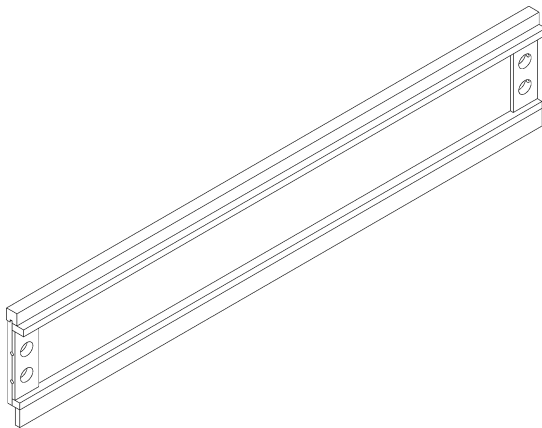
TOOLS REQUIRED (NOT PROVIDED)

Phillips Screwdriver



PARTS LIST: 35072 QN/KG RAILS			
No.	Description	Sketch	Quantity
R	Queen / Eastern King Bed Rail		2

HARDWARE LIST: 35072 QN/KG RAILS				
No.	Description	Sketch	Size	Quantity
N	All-Thread Bolt		5/16" x 4-1/2"	8
O	Ø5/16"-18 Arc Washer & Nut		5/16" x 13mm	8
P	Open Wrench		13mm	1





AMERICAN SIGNATURE, INC.

ASSEMBLY INSTRUCTIONS

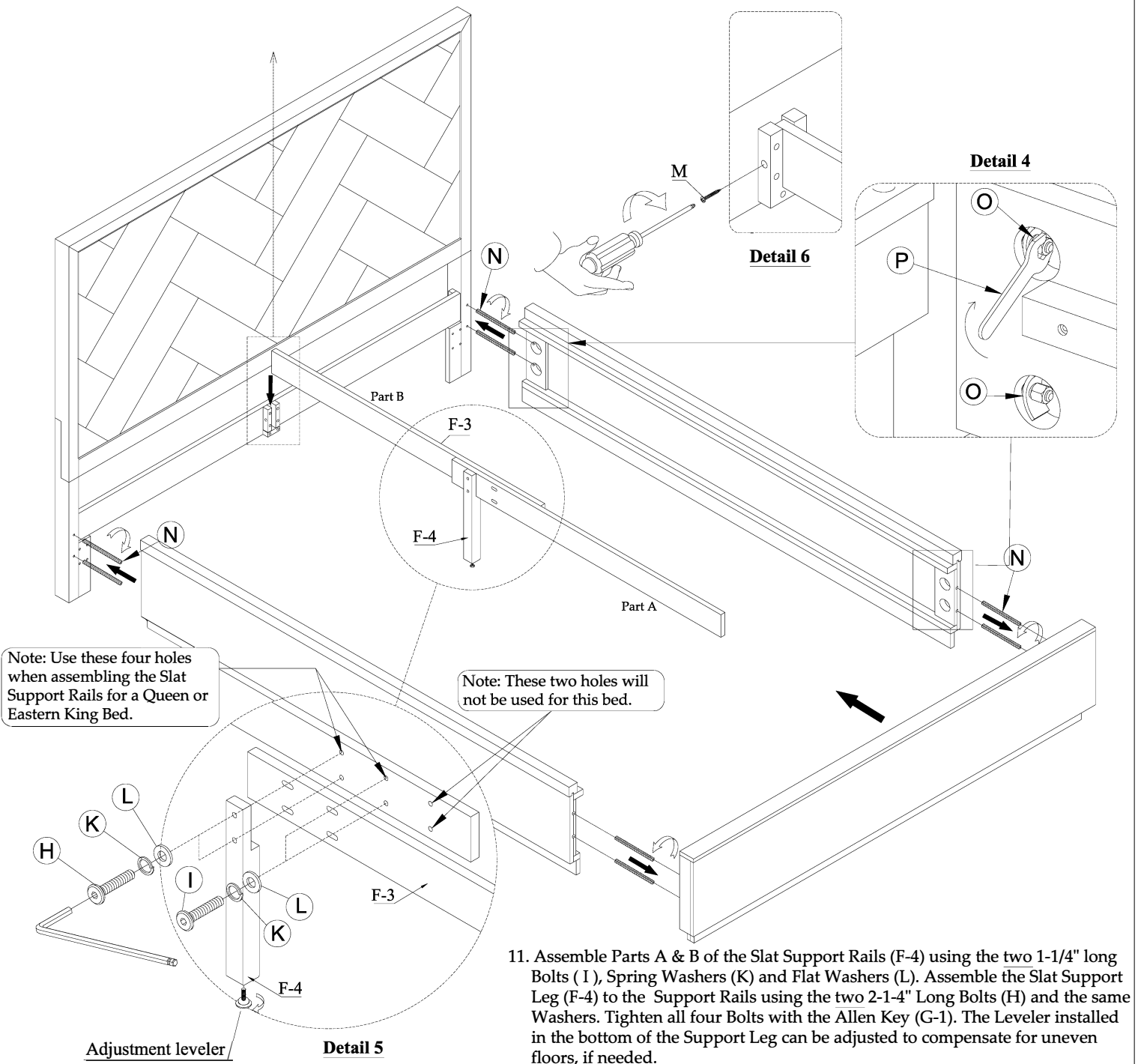
ITEM NO.: 35086 -- KG PNL HB - ZEN URBAN GRAY
& 35081 -- KG PNL FB - ZEN URBAN GRAY
& 35072 -- QN/KG PNL RLS- ZEN URBAN GRAY



Thank you for purchasing this quality product. Be sure to check all packing material carefully for small parts that may have come loose inside the carton during shipment.

Steps:

6. Lean the back of the Headboard against the wall where the Bed will be assembled.
7. Install all the All-Thread Bolts (N) into the metal threaded inserts installed in the Headboard Legs and into the metal inserts on the Footboard.
8. Carefully position one end of one Bed Rail (R) onto the All-thread Bolts on the Headboard and connect using the Arc Washer & Nut (O). Only partially tighten the Nuts until the Footboard has been connected. Repeat for other Bed Rail.
9. Position and connect the Footboard (F-1) to the other end of the Bed Rails, attaching as in the previous Steps.
10. Carefully align the Footboard to be 'square' with the Headboard. Using the Open Wrench (P) tighten all Hex Nuts attaching the Side Rails to the Headboard and Footboard. (**Detail 4**).



11. Assemble Parts A & B of the Slat Support Rails (F-4) using the two 1-1/4" long Bolts (I), Spring Washers (K) and Flat Washers (L). Assemble the Slat Support Leg (F-4) to the Support Rails using the two 2-1-4" Long Bolts (H) and the same Washers. Tighten all four Bolts with the Allen Key (G-1). The Leveler installed in the bottom of the Support Leg can be adjusted to compensate for uneven floors, if needed.
12. Position the Slat Support assembly into the pockets on the Headboard and Footboard using Wood Screws (M) and your Phillips Screwdriver.



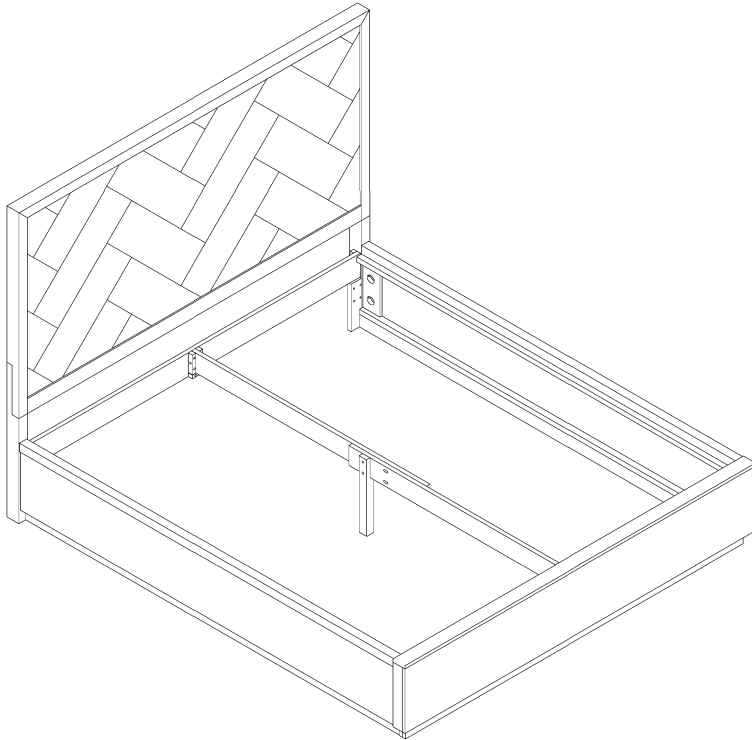
AMERICAN SIGNATURE, INC.

ASSEMBLY INSTRUCTIONS

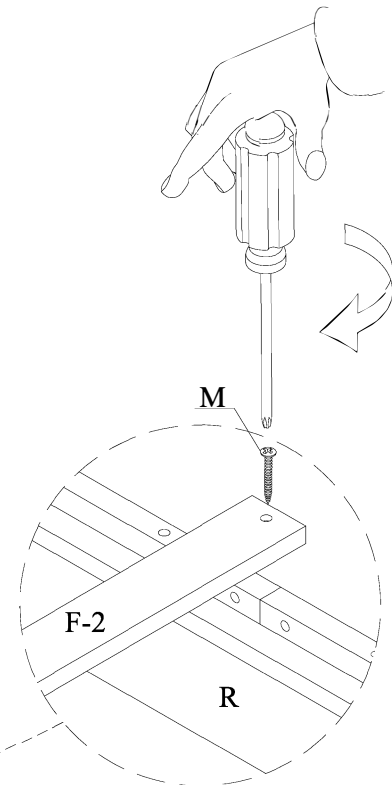
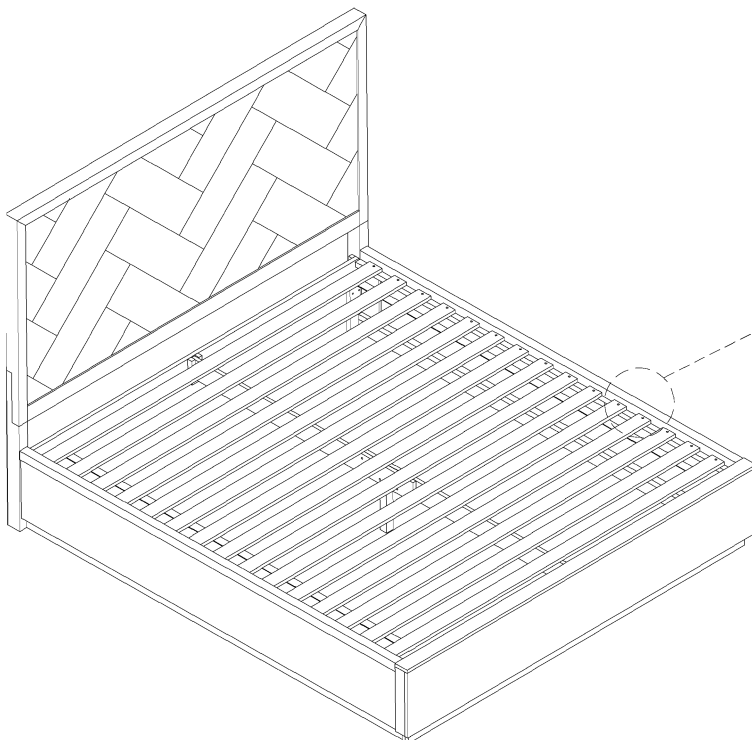
ITEM NO.: 35086 -- KG PNL HB - ZEN URBAN GRAY
& 35081 -- KG PNL FB - ZEN URBAN GRAY
& 35072 -- QN/KG PNL RLS- ZEN URBAN GRAY



Thank you for purchasing this quality product. Be sure to check all packing material carefully for small parts that may have come loose inside the carton during shipment.



After the Bed is assembled, completely unroll the Bed Roll Slat (F-2) onto the Bed. Using your Phillips Screwdriver, attach the Slats nearest the Headboard and Footboard and attach the middle of the Slats to the Slat Support Rails in the middle of the Bed using the Ø8*30mm Long Wood Screws (M).



Detail 7