



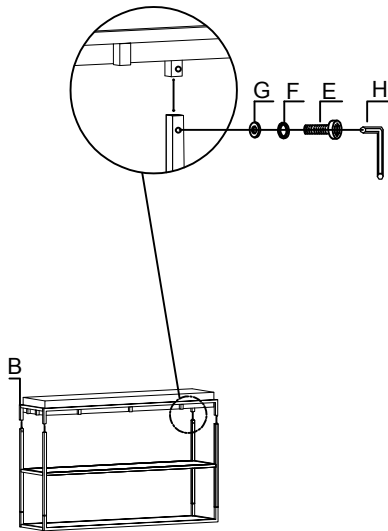
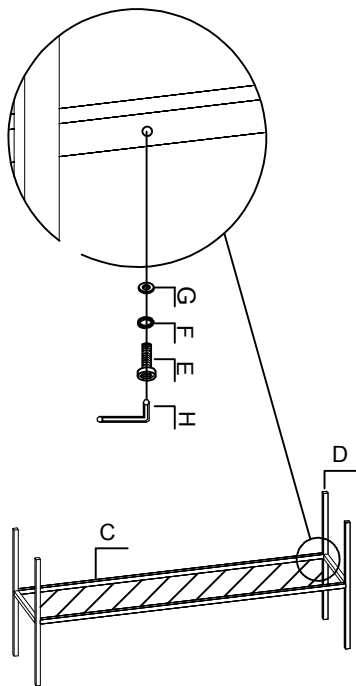
ASSEMBLY INSTRUCTIONS

Item No: 30615

Description: Console Table - Woodford

Thank you for purchasing this quality product. Be sure to check all packing material carefully for small parts that may have come loose inside the carton during shipment.

DETAIL A



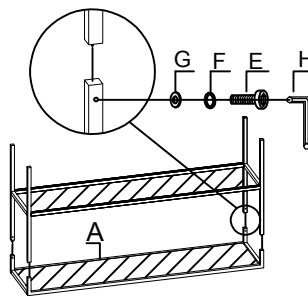
DETAIL C

PARTS LIST:

No.	Description	Sketch	Quantity
A	Metal Frame		1
B	Table Top with Metal Frame		1
C	Center shelf with Frame		1
D	Metal Legs		2

HARDWARE LIST:

No.	Description	Sketch	Size	Quantity
E	Allen Head Bolt		6mm X 16mm	12
F	Spring Washer		8x14x2mm	12
G	Flat Washer		8x23x1.75 mm	12
H	Allen Key		4mm	1
I	Straight Allen Key		4mm	1



DETAIL B

Step 1:

Attach the metal legs (D) to center shelf with frame (C) with Allen Head Bolts (E) Spring Washer (F) Flat Washer (G) as shown in **DETAIL A**. Do not fully tighten Bolts.

Step 2: Place the metal frame (A), upside down on a soft and smooth surface and attach the center shelf assembly with Allen head Bolts (E) Spring Washer (F) Flat Washer (G) as shown in **DETAIL B**. Do not fully tighten bolts until table top with metal frame (B) has been attached.

Step 3: turn the assembled product upside down and insert the table top with metal frame (B) as shown in detail (B)

Step 4: Tighten all allen head bolts (E) Spring Washer (F) Flat Waher (G) with allen key (H)