


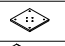
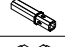


Assembly Instructions














DTVIERTT & DTVIERTB 54x54 RND TBL TOP - VIENNA MERLOT & ROUND TBL BASE - VIENNA MERLOT

Thank you for purchasing this quality product. Be sure to check all packing materials carefully for small parts, which may have come loose inside the carton during shipment. Identify and count all parts and compare with the HARDWARE LIST below.

Caution: Please read instructions thoroughly before unpacking assembly parts.

1. We recommend that you assemble this product with the assistance of another person; this will make assembly easier, and will help to eliminate damage to the product or injury to persons during assembly.
2. Please do not over tighten screws or bolts until the assembly is completed.
3. Please put all parts on a non-abrasive floor before assembly, and follow the assembly steps to assemble your newly purchased product correctly and efficiently.

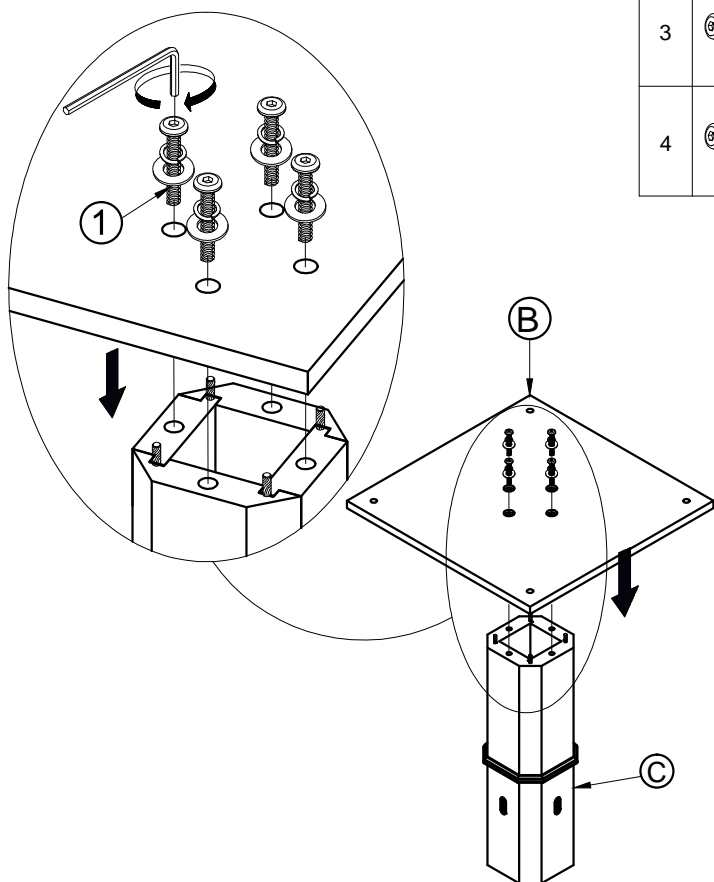
NO.	Parts List	Q' TY
A	 Table top	1
B	 Connective panel	1
C	 Post	1
D	 Bottom frame	1
E	 Legs	4

NO.	Hardware List	Q' TY
1	 Φ 5/16" * 18*2"L Allen Bolt	4
	 Φ 5/16" * Φ 13mm Spring washer	4
	 Φ 5/16" * Φ 22mm*2mmT Flat washer	4
	 Allen wrench (4mm)	1
2	 Allen key (4mm)	1
	 Φ 5/16" * 18*2"L Allen Bolt	4
	 Φ 5/16" * Φ 13mm Spring washer	4
3	 Φ 5/16" * Φ 22mm*2mmT Flat washer	4
	 Φ 5/16" * 18*2"L Allen Bolt	4
	 Φ 5/16" * Φ 13mm Spring washer	4
4	 Φ 5/16" * Φ 22mm*2mmT Flat washer	4
	 Φ 5/16" * 18*2"L Allen Bolt	4
	 Φ 5/16" * Φ 13mm Spring washer	4

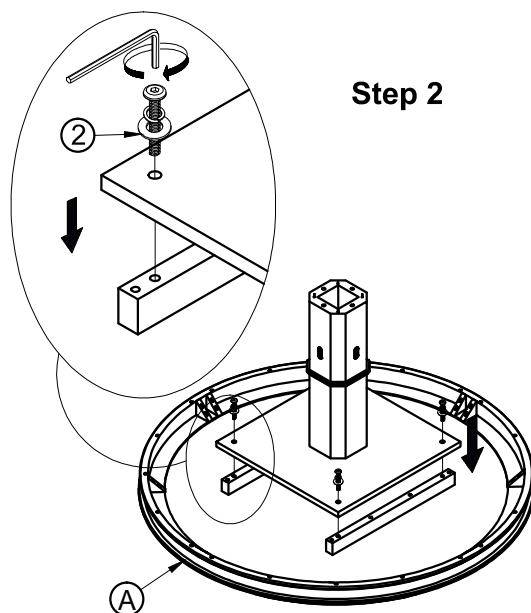
TOOLS REQUIRED (NOT PROVIDED)

PHILLIPS SCREWDRIVER 

Step 1



Step 2



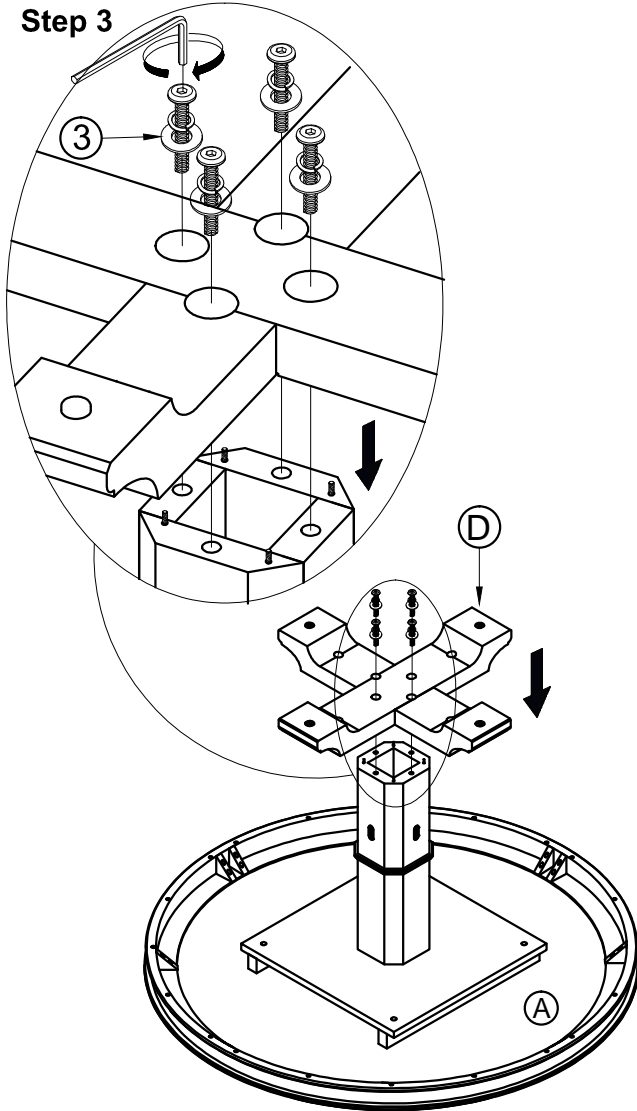
Assembly completed

MADE IN VIET NAM

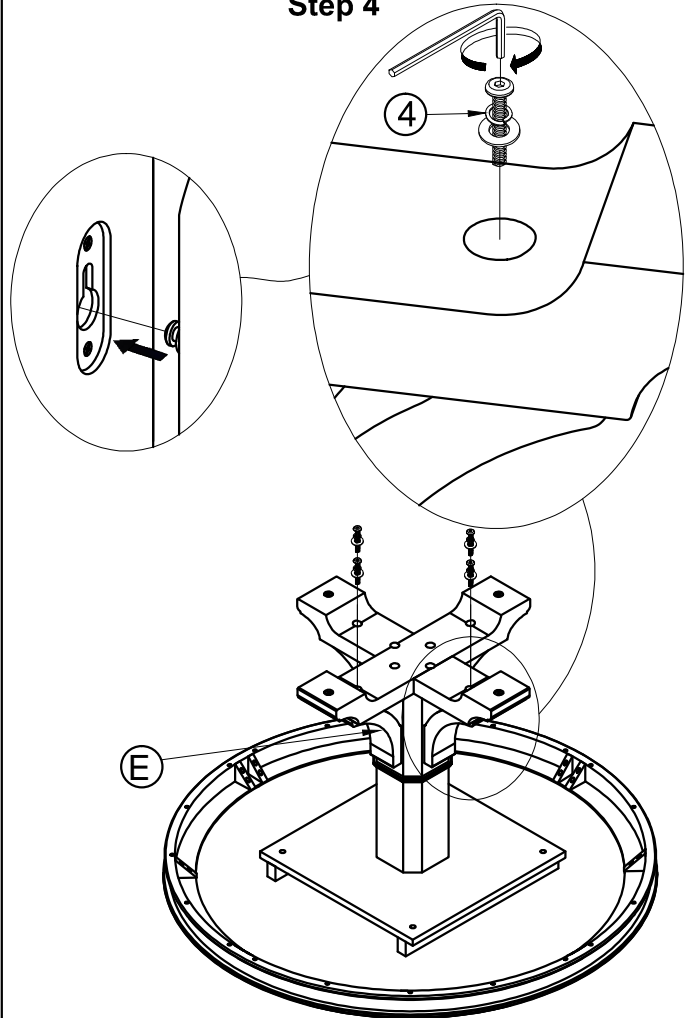
Assembly Instructions

DTVIERTT & DTVIERTB
54x54 RND TBL TOP - VIENNA MERLOT &
ROUND TBL BASE - VIENNA MERLOT

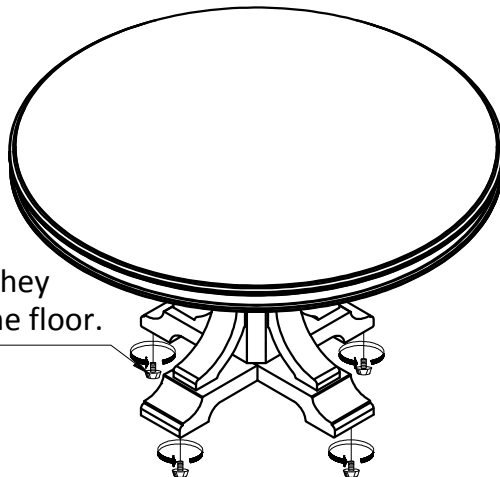
Step 3



Step 4



Leveler 4pcs
Adjust the levelers until they
are balanced and touching the floor.



Assembly completed 1
MADE IN VIET NAM